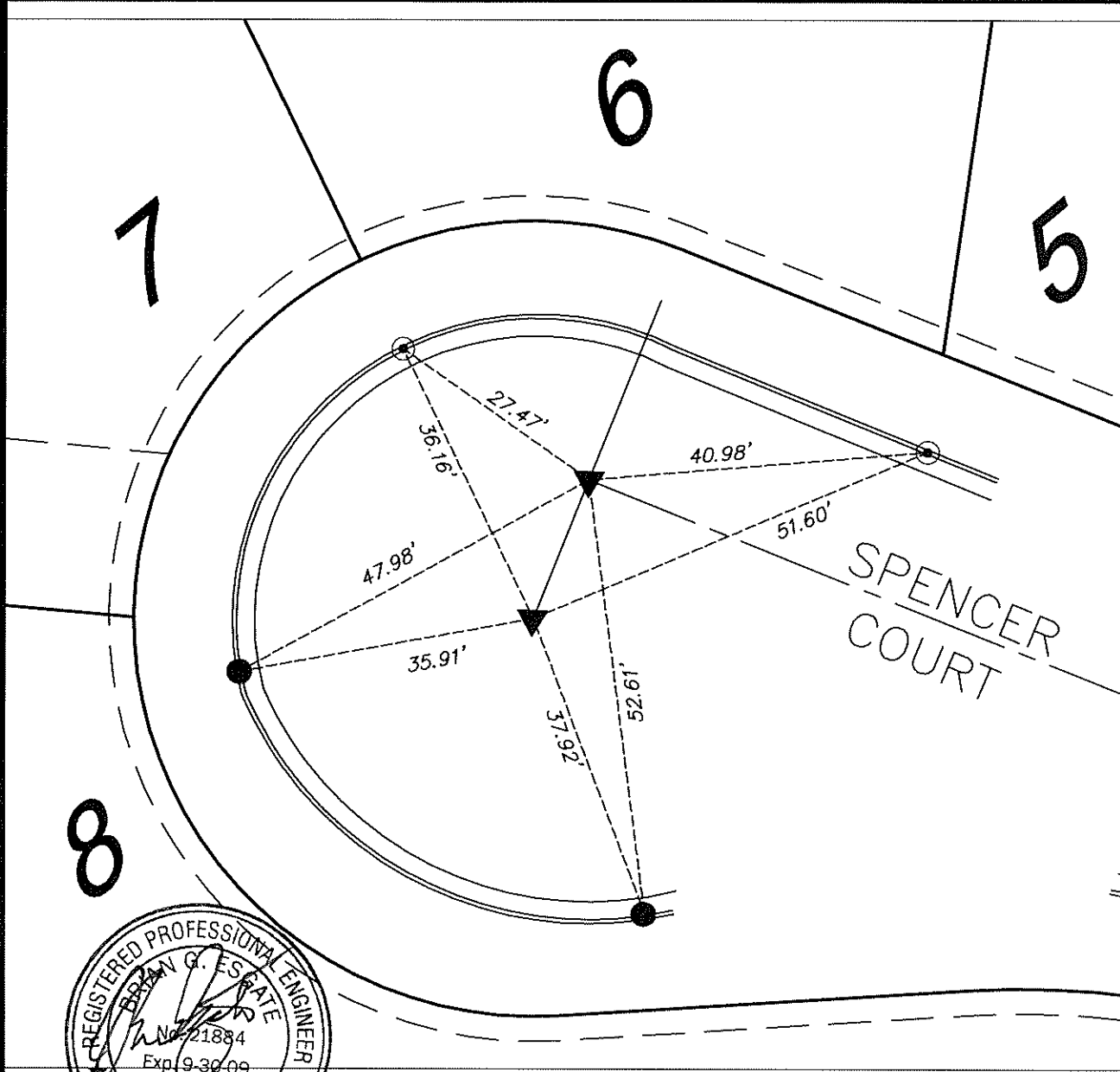
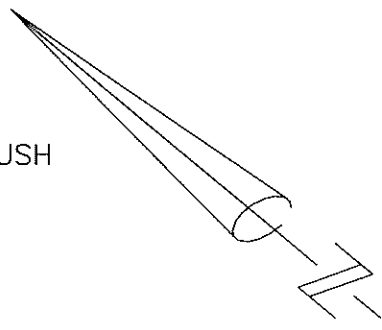


13290.TIF

STREET SPENCER CT. X-STREET CUL-DE-SAC OFFICE USE ONLY



- ▲ SET BOAT SPIKE AND RCE 21884 WASHER FLUSH
- SET RAMSET IN TOP OF CURB
- ⊙ SET NAIL AND RCE 21884 TAG
- ** NORTHERLYLY OF THE INTERSECTION OF GREEN ORCHARD PLACE AND SPENCER CT.



SCALE: 1" = 20'
 DATE: 05-25-2008
 DR. BY: SJS
 W.O.: 0523
 F.B.:

OFFICIAL TIE PLAT
 CITY OF RIVERSIDE
 PREPARED BY: **SDH & Associates, Inc**
 Civil Engineering - Land Planning
 5225 Canyon Crest Drive Bldg. 300 Suite 357
 Riverside, California 92507
 TEL: (909) 788-2344 FAX (909) 788-2314

SHEET 8
 OF 8 SHEETS
 FILE No.: