

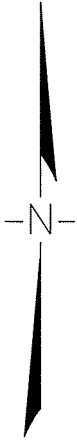
135

134

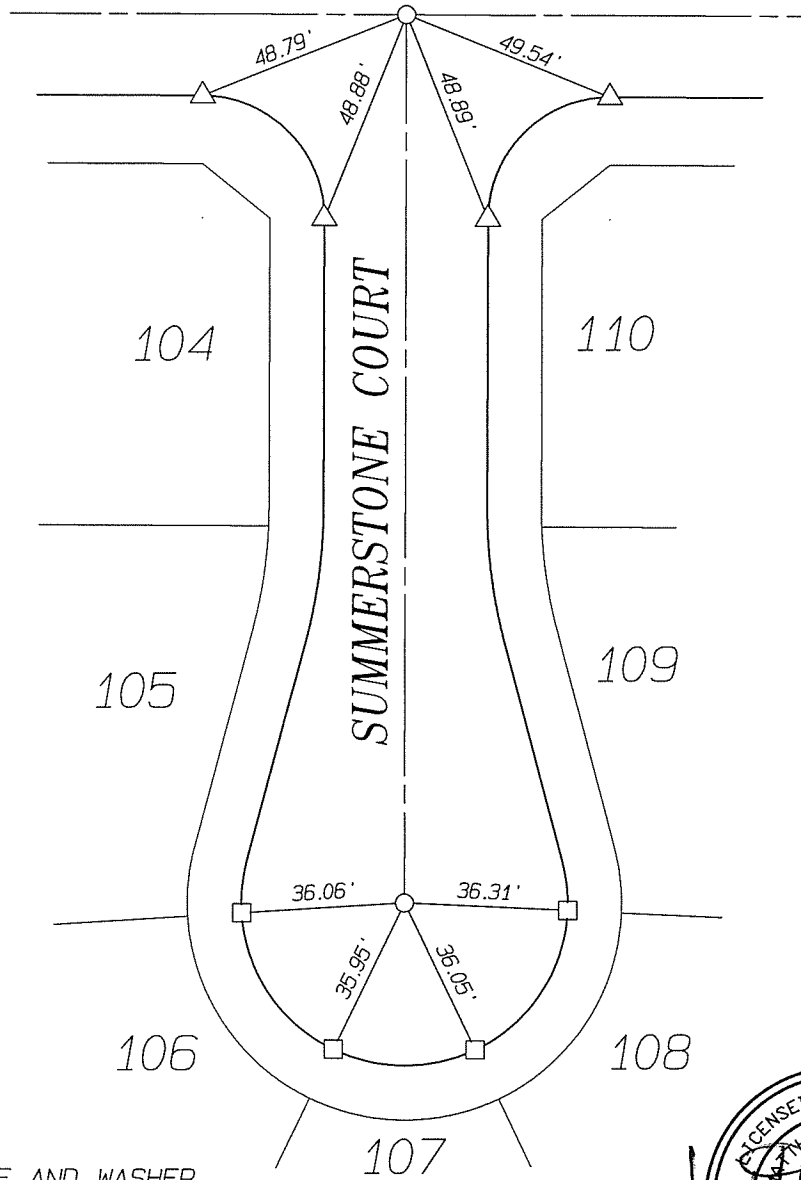
133

132

13348.TIF



ALDERBROOK DRIVE



○ INDICATES SET GEAR SPIKE AND WASHER
STAMPED LS 5529

△ INDICATES SET RAMSET NAIL IN CURB

□ INDICATES SET RAMSET NAIL & TAG
STAMPED LS 5529 IN CURB

ALBERT A. CIVIL ENGINEERS

WEBB
ASSOCIATES

3788 McCRAY ST.
RIVERSIDE CA. 92506
(951) 686-1070



SCALE:	NTS
DATE:	05-23-2006
CHK. BY:	<i>MJ.</i>
DR. BY:	<i>[Signature]</i>
W.D.:	04-092
F.B.:	2002

OFFICIAL TIE PLAT

CITY OF RIVERSIDE

TRACT 31237

SHEET	4
OF	15 SHEETS
FILE NO.:	03-425TIES.pro