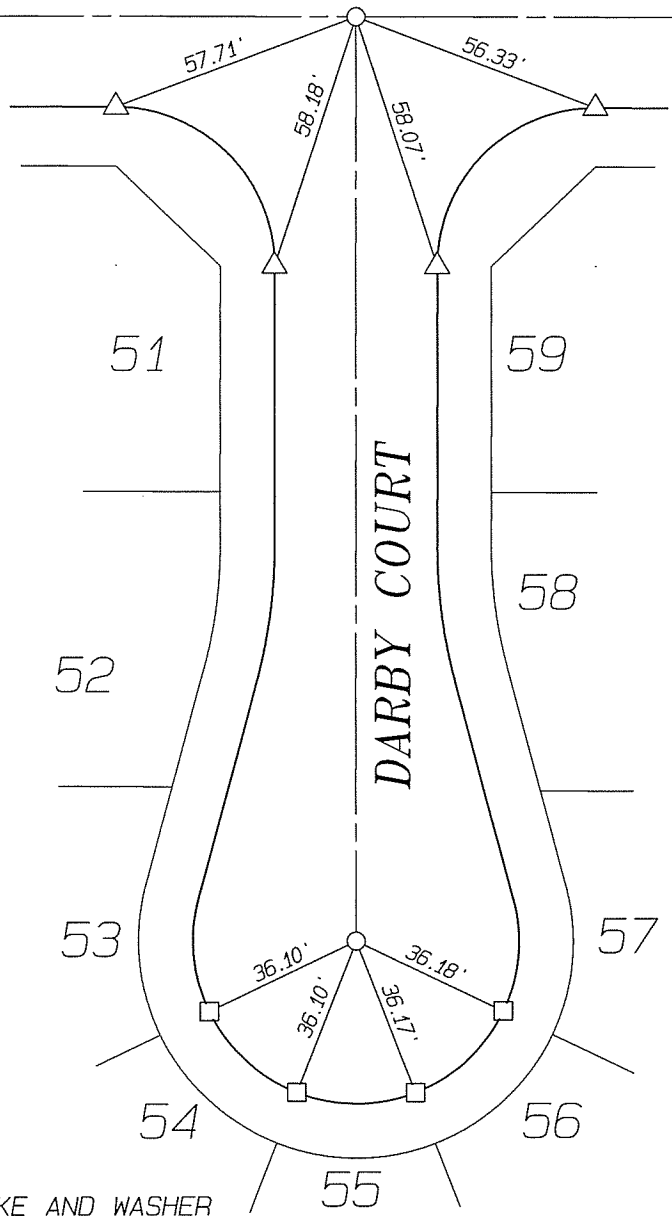
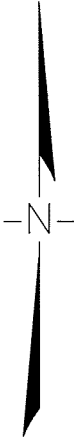


13355.TIF

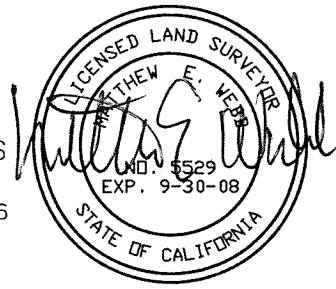
91 | 90 | 89

KRAMERIA AVENUE



- INDICATES SET GEAR SPIKE AND WASHER STAMPED LS 5529
- △ INDICATES SET RAMSET NAIL IN CURB
- INDICATES SET RAMSET NAIL & TAG STAMPED LS 5529 IN CURB

ALBERT A. CIVIL ENGINEERS
WEBB
 ASSOCIATES
 3788 MCCRAY ST.
 RIVERSIDE CA. 92506
 (951) 686-1070



SCALE:	NTS
DATE:	05-23-2006
CHK. BY:	<i>[Signature]</i>
DR. BY:	<i>[Signature]</i>
W.D.:	04-092
F.B.:	2002

OFFICIAL TIE PLAT
 CITY OF RIVERSIDE
 TRACT 31237

SHEET	11
OF	15 SHEETS
FILE NO.:	03-425TIES.pro