

13484.TIF

STREET: UNIVERSITY AVENUE

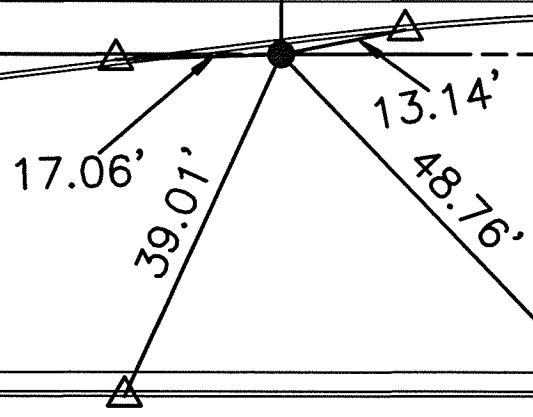
OFFICIAL USE ONLY

X-STREET: DOUGLAS NORTH

DOUGLASS

UNIVERSITY AVENUE

RESET W/ PK & CITY SUR. TAG FLUSH



FD CNAIL ON T/C

HISTORICAL DATA

-2380.TIF
 -7975.TIF
 ORIGINALLY FD.
 1" I.P. W/TAG DWN.
 0.05 IN CAPPED WELL
 SWING TIES

SET NAIL & CITY TIE TAG
 IN T.C. AT ALL TIE POINTS
 UNLESS NOTED OTHERWISE

SCALE: 1"=20'
 DATE: 04/23/08
 DRAWN BY: B DURENTE
 F.B.: SEE HISTORICAL DATA
 SEC: T.2 S.,R 5 W

OFFICIAL TIE PLAT
 CITY OF RIVERSIDE

THESE TIES ARE FOR THE PURPOSE OF PERPETUATING THE FOUND MONUMENTATION. NO CLAIM IS MADE AS THE RELATIONSHIP OF THE POINTS OR LINES SHOWN HEREON TO TRUE BOUNDARY LOCATIONS

