

14235.TIF

Street: DEWEY AVENUE

X-Street: OFFICIAL USE ONLY

NIDEVER AVENUE

SWING TIES

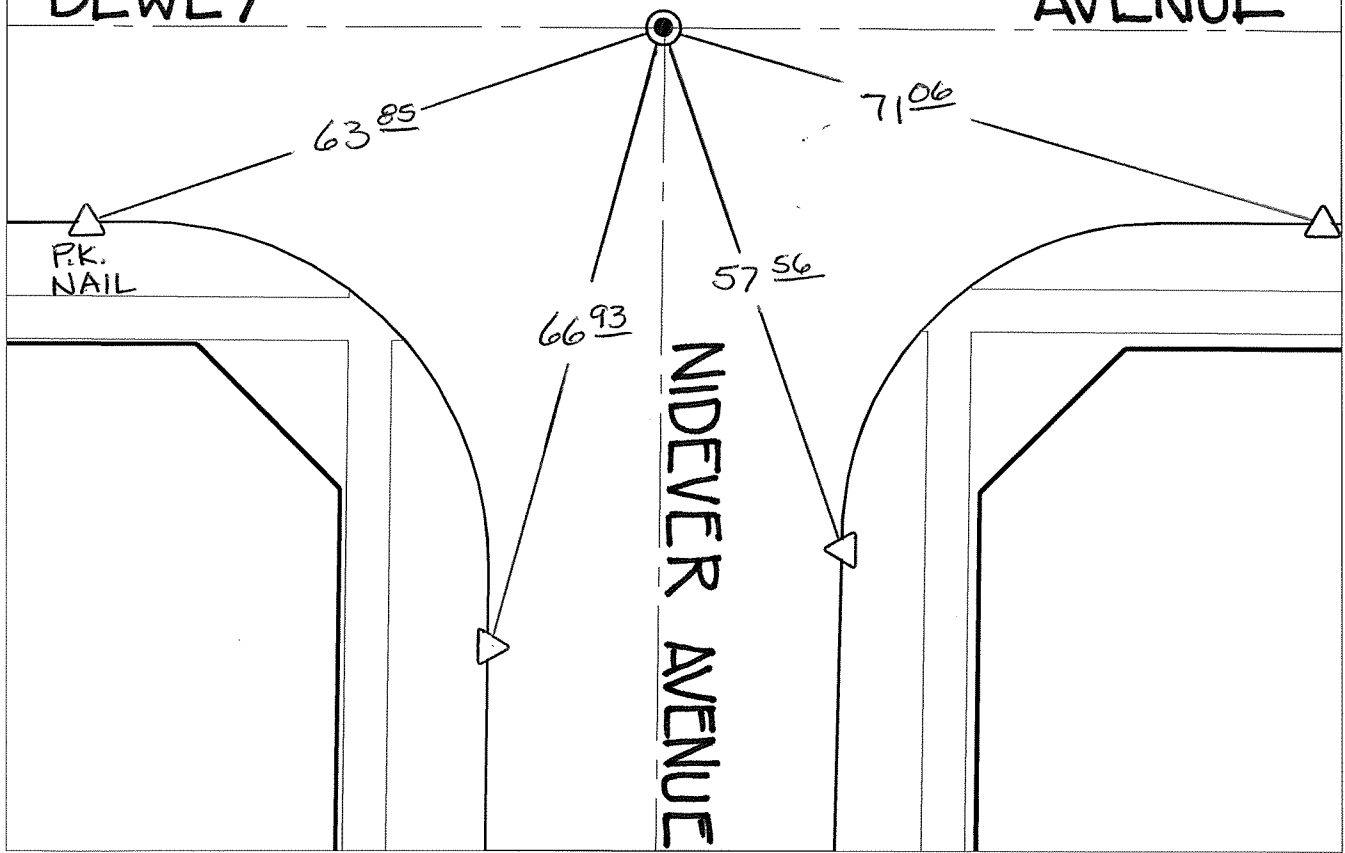
△ SET "C" NAIL & CITY TIE TAG ON T/C

FD 3/4" I.P. NO TAG
DN 0.42'

DEWEY

AVENUE


NIDEVER AVENUE



✕ FD. Ramset Nail on T/C ● FD. LD. & TK. on T/C P.K. and City Engineer tag to be set @ surface after street construction is complete. (If possible)
 ■ FD. "C" Nail on T/C ○ Set LD. & TK. on T/C

Scale: 1" = 20'
 Date: 05/20/14
 Drawn by: pw
 F.B.:
 TR-Sec: T2SR5W-33

OFFICIAL TIE PLAT
CITY OF RIVERSIDE
These ties are for the purpose of perpetuating the found monumentation. No claim is made as to the relationship of the points or lines shown hereon to true boundary locations.



Sheet 1 of 1
 Cadme MB: 52-2