

1931 . TIF

Street: CHADBOURNE

X-Street: OFFICIAL USE ONLY

13

# ADKAN ENGINEERS

CIVIL ENGINEERING, PLANNING, LAND SURVEYING

CLIENT ARLINGTON GROUP DATE 3-13-92 SHEET NO. 2 OF 7

JOB TR. 23587 JOB NO. 3318

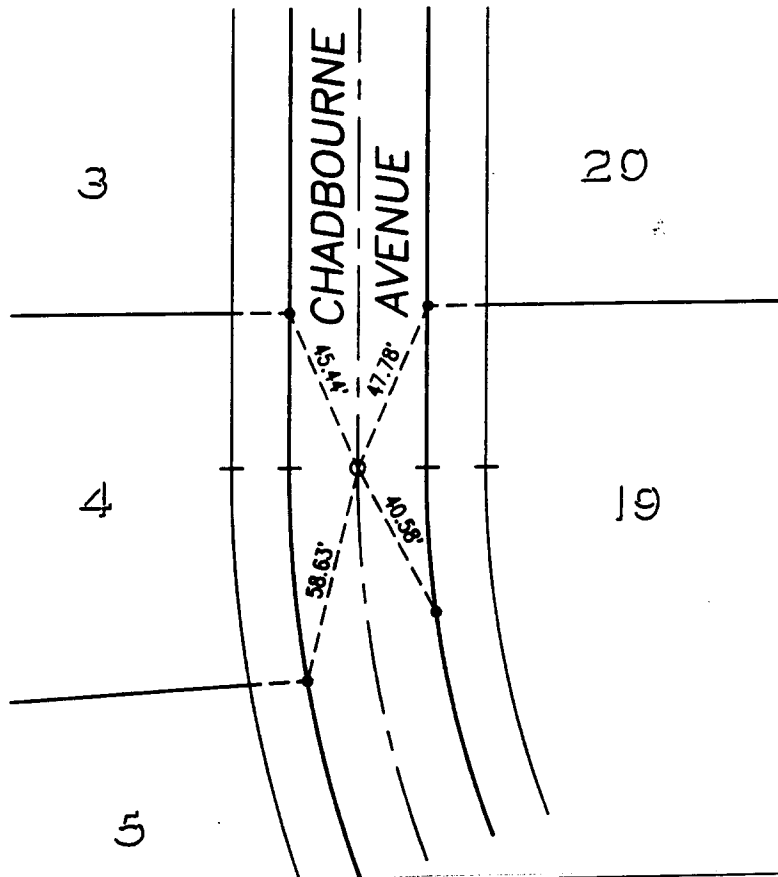
CHADBOURNE (13)  
AVENUE



*Ed Powell*  
10-7-92

## LEGEND

- INDICATES 1" I.P. TAGGED LS5390-FLUSH
- INDICATES L & T
- INDICATES S & W



- × FD. Ramset Nail on T/C
- FD. "C" Nail on T/C

- FD. LD. & TK. on T/C
- Set LD. & TK. on T/C

Scale:  
Date:  
Drawn by:  
W.O.:  
F.B.:

## OFFICIAL TIE PLAT

CITY OF RIVERSIDE

*These ties are for the purpose of perpetuating the found monumentation. No claim is made as to the relationship of the points or lines shown hereon to true boundary locations.*

Sheet 1 of 1  
File No.: