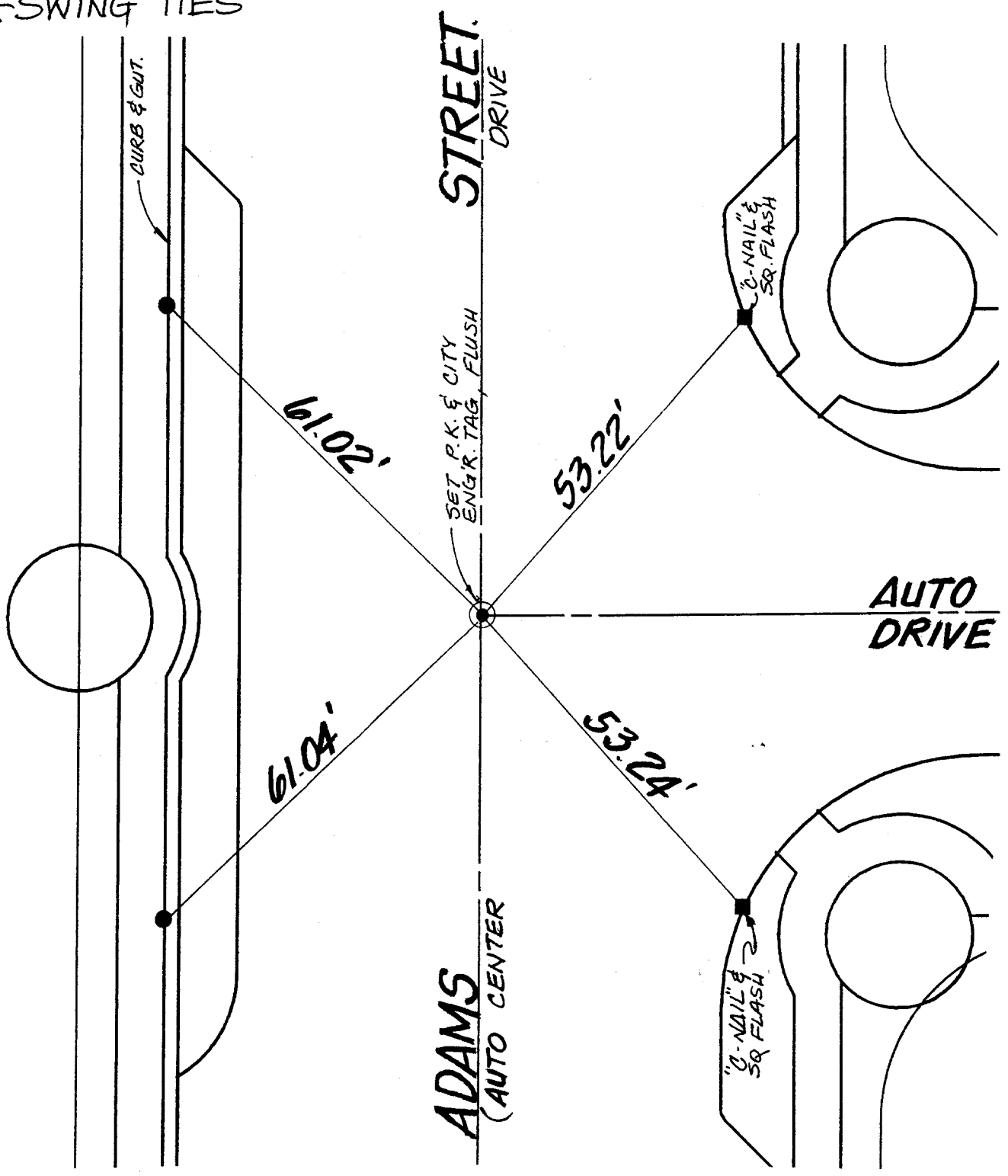


* SWING TIES



Street: ADAMS ST. (AUTO CTR DR) X-Street: AUTO DRIVE
 OFFICIAL USE ONLY

- ✕ FD. Ramset Nail on T/C
- FD. LD. & TK. on T/C
- FD. "C" Nail on T/C
- Set LD. & TK. on T/C

Scale: 1" = 20'
 Date: 01/05/00
 Drawn by: ESGATE
 W.O.:
 F.B.:

OFFICIAL TIE PLAT CITY OF RIVERSIDE

These ties are for the purpose of perpetuating the found monumentation. No claim is made as to the relationship of the points or lines shown hereon to true boundary locations.



Sheet 1 of 1
 File No.: