

SCALE: 1" = 50'  
 DATE: 1-20-98  
 DR./CK.: *me*  
 W.O.: 97-096  
 F.B.: 1996

**OFFICIAL TIE PLAT**  
 CITY OF RIVERSIDE

PREPARED BY: ALBERT A. WEBB ASSOCIATES  
 CIVIL ENGINEERS

RIVERSIDE CALIFORNIA

FILE NO.: 960122

OF 3 SHEETS

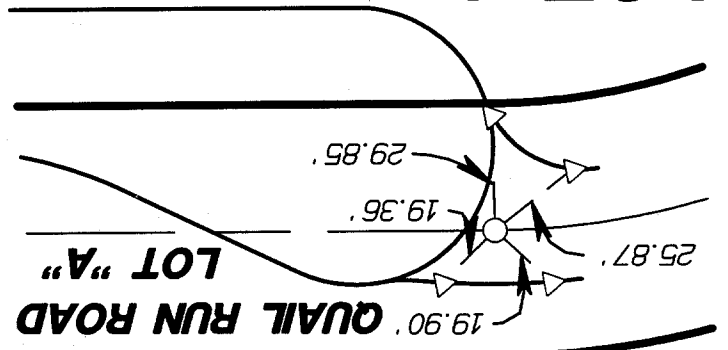
2

SHEET

STREET \_\_\_\_\_  
 QUALIF. RUN RD. 6723.TIF  
 X-STREET \_\_\_\_\_  
 OFFICE USE ONLY

- ▽ INDICATES SET NAIL ON TOP OF CURB
- INDICATES SET SPIKE & WASHER TAGGED, R.C.E. 11842
- INDICATES SET RAMSET & TAG, R.C.E. 11842 IN SIDEWALK

**LOT 1**



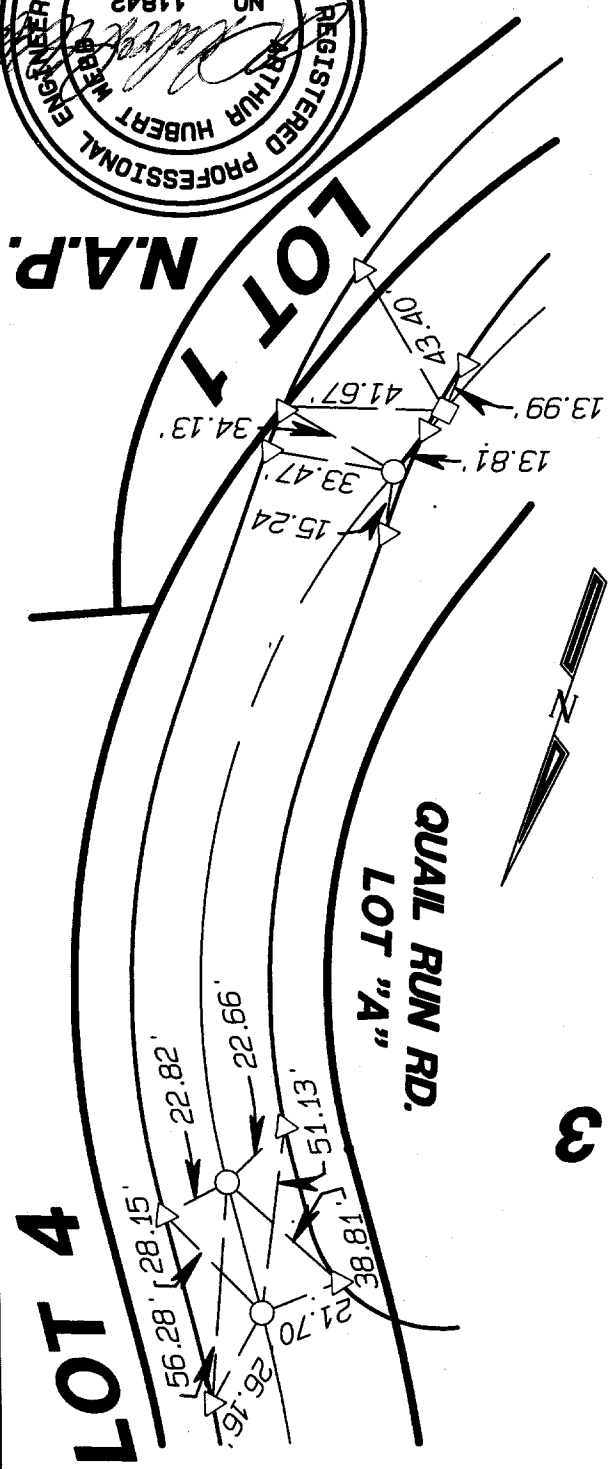
**LOT "A"**  
**QUALIF. RUN ROAD**

**LOT 2**

TRACT NO. 14540

**LOT 3**

**QUALIF. RUN RD.**  
**LOT "A"**



**N.A.P.**

