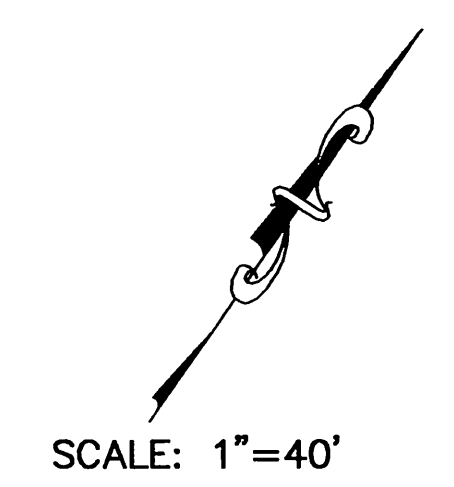




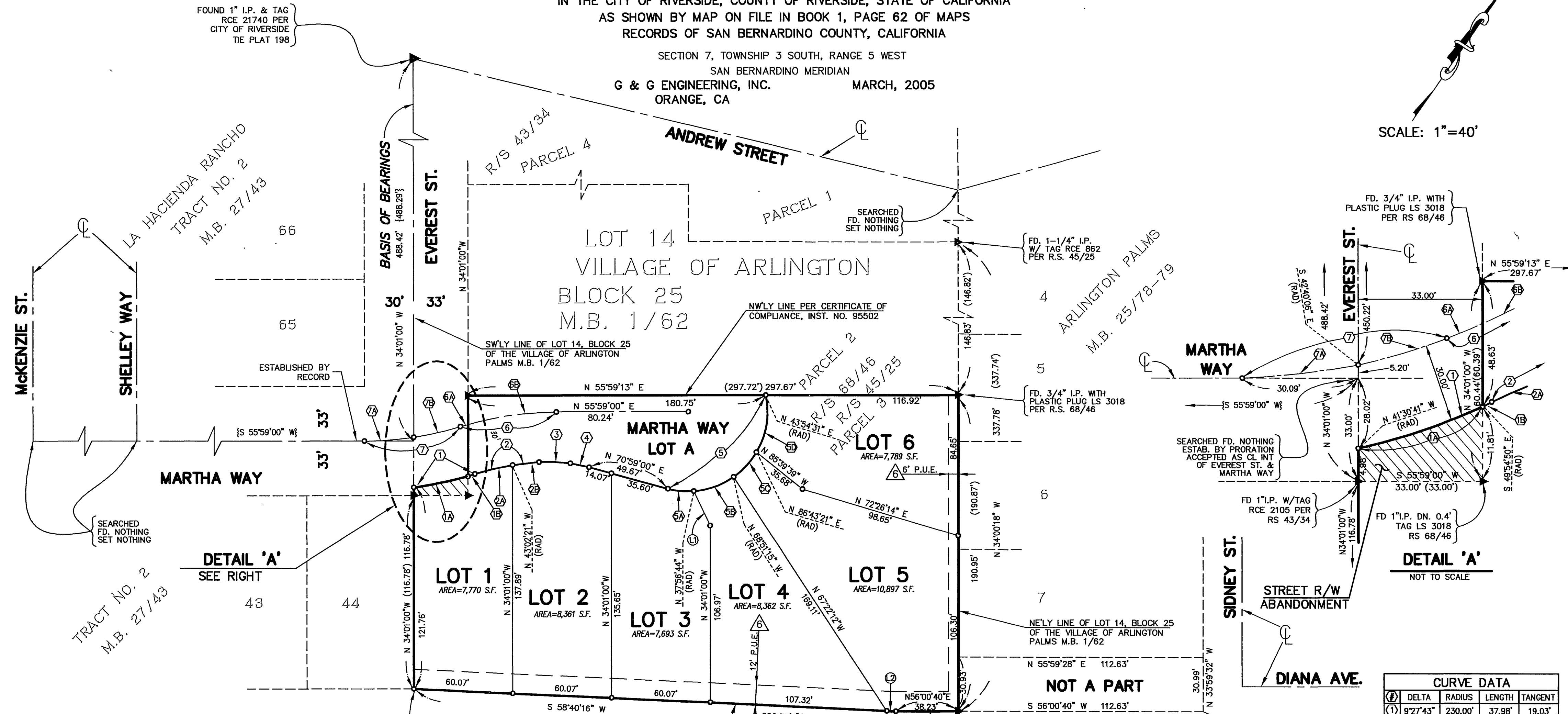
# TRACT NO. 32268

PORTION OF LOT 14 IN BLOCK 25 OF THE VILLAGE OF ARLINGTON  
IN THE CITY OF RIVERSIDE, COUNTY OF RIVERSIDE, STATE OF CALIFORNIA  
AS SHOWN BY MAP ON FILE IN BOOK 1, PAGE 62 OF MAPS  
RECORDS OF SAN BERNARDINO COUNTY, CALIFORNIA

SECTION 7, TOWNSHIP 3 SOUTH, RANGE 5 WEST  
SAN BERNARDINO MERIDIAN  
G & G ENGINEERING, INC. ORANGE, CA MARCH, 2005



SCALE: 1"=40'



FOUND 1" I.P. & TAG  
RCE 21740 PER  
CITY OF RIVERSIDE  
THE PLAT 198

LA HACIENDA RANCHO  
TRACT NO. 2  
M.B. 27/43

LOT 14  
VILLAGE OF ARLINGTON  
BLOCK 25  
M.B. 1/62

ARLINGTON PALMS  
M.B. 25/78-79

MARTHA WAY

SIDNEY ST.

DIANA AVE.

FD. 3/4" I.P. WITH  
PLASTIC PLUG LS 3018  
PER RS 68/46

FD. 1-1/4" I.P.  
W/ TAG RCE 862  
PER R.S. 45/25

FD. 3/4" I.P. WITH  
PLASTIC PLUG LS 3018  
PER R.S. 68/46

FD. 1" I.P. W/TAG  
RCE 2105 PER  
RS 43/34

FD. 1" I.P. DN. 0.4"  
TAG LS 3018  
RS 68/46

DETAIL 'A'  
SEE RIGHT

DETAIL 'A'  
NOT TO SCALE

### MONUMENT NOTES

- DENOTES SET 1" I.P. TAGGED RCE 12502 FLUSH
- ▼ DENOTES FOUND MONUMENT AS NOTED

### BASIS OF BEARINGS

BEARINGS ARE BASED UPON THE CENTERLINE OF EVEREST STREET  
BEING N 34°01'00" W AS SHOWN ON THE LA HACIENDA RANCHO,  
TRACT NO. 2, M.B. 27/43

### RECORD INFORMATION

- 370.00' INDICATES MEASURED DATA
- {370.00'} INDICATES RECORD DATA PER LA HACIENDA RANCHO TRACT NO. 2, M.B. 27/43
- [370.00'] INDICATES RECORD DATA PER RECORD OF SURVEY 68/46
- [370.00'] INDICATES RECORD DATA PER RECORD OF SURVEY 45/25

### EASEMENT NOTES

- △ AN EASEMENT FOR EITHER BOTH POLE POLE LINES, CONDUITS OR UNDERGROUND FACILITIES TO THE CITY OF RIVERSIDE, RECORDED 8/28/1964 AS INST. NO. 106265, O.R.

### LEGEND

- MAP BORDER LINE
- - - CENTER LINE
- LOT LINE
- - - ROW
- - - EASEMENT

LINE DATA	
BEARING	LENGTH
N 59°30'48" W	23.00'
S 58°40'16" W	5.20'

CURVE DATA			
Δ	DELTA	RADIUS	TANGENT
①	9°27'43"	230.00'	37.98'
②	8°24'09"	230.00'	33.73'
③	1°03'34"	230.00'	4.25'
④	13°23'25"	170.00'	39.73'
⑤	7°56'03"	170.00'	23.54'
⑥	5°27'22"	170.00'	16.19'
⑦	12°06'48"	90.00'	19.03'
⑧	6°27'11"	103.00'	11.60'
⑨	11°70'29"	48.00'	98.08'
⑩	18°55'44"	48.00'	15.86'
⑪	30°54'31"	48.00'	25.89'
⑫	24°25'24"	48.00'	20.46'
⑬	42°48'50"	48.00'	35.87'
⑭	16°57'24"	200.00'	59.19'
⑮	1°25'08"	200.00'	4.95'
⑯	15°32'16"	200.00'	54.24'
⑰	16°57'24"	200.00'	59.19'
⑱	8°39'06"	200.00'	30.20'
⑲	8°18'18"	200.00'	28.99'

