

TRAFFIC SIGNAL MODIFICATION, SIGNING & STRIPING PLAN

MISSION INN AVENUE AND MARKET STREET

GENERAL NOTES

- NO PERSON SHALL PERFORM ANY CONSTRUCTION ACTIVITY OR INSTALL ANY OBJECTS WITHIN THE PUBLIC RIGHTS-OF-WAY OR EASEMENTS OF THE CITY OF RIVERSIDE WITHOUT A VALID CONSTRUCTION PERMIT OR A STREET OPENING PERMIT OR AN ENCROACHMENT PERMIT ISSUED BY THE CITY'S PUBLIC WORKS DEPARTMENT.
- IT SHALL BE THE RESPONSIBILITY OF THE CONTRACTOR TO CLEAR THE RIGHT-OF-WAY IN ACCORDANCE WITH THE PROVISIONS OF LAW AS IT AFFECTS EACH UTILITY INCLUDING IRRIGATION LINES APPURTENANCES AT NO COST TO THE CITY.
- CONSTRUCTION SHALL BE IN ACCORDANCE WITH THE CITY OF RIVERSIDE PUBLIC UTILITIES DEPARTMENT WATER DIVISION, STANDARD DRAWINGS, ITS SUPPLEMENTAL NOTES, THE NFPA 24 STANDARDS AND THE STANDARD SPECIFICATIONS FOR PUBLIC WORKS CONSTRUCTION, CURRENT EDITION.
- THE PRIVATE ENGINEER SIGNING THESE PLANS IS RESPONSIBLE FOR ASSURING THE ACCURACY AND ACCEPTABILITY OF THE WORK HEREON. IN THE EVENT OF DISCREPANCIES ARISING DURING CONSTRUCTION, THE PRIVATE ENGINEER SHALL BE RESPONSIBLE FOR DETERMINING AN ACCEPTABLE SOLUTION AND REVISING THE PLANS FOR APPROVAL BY THE CITY.
- THE CONTRACTOR SHALL BE RESPONSIBLE FOR PRESERVING OR RE-ESTABLISHING AND REFERENCING SURVEY MONUMENTS DESTROYED, DISTURBED OR BURIED AS A RESULT OF CONSTRUCTION SHOWN HEREON.
- ALL FLAGGED ELEVATIONS SHALL BE STAKED IN THE FIELD BY THE PRIVATE ENGINEER.
- THE CONTRACTOR SHALL CALL IN A LOCATION REQUEST TO UNDERGROUND SERVICE ALERT (USA), PHONE # 811, TWO WORKING DAYS BEFORE DIGGING. NO CONSTRUCTION PERMIT WILL BE ISSUED BY THE PUBLIC WORKS DEPARTMENT INVOLVING EXCAVATION FOR UNDERGROUND FACILITIES UNLESS THE APPLICANT HAS BEEN PROVIDED AN INQUIRY IDENTIFICATION NUMBER BY U.S.A.
- LOCATION OF SERVICES TO BE DETERMINED IN THE FIELD AT THE DIRECTION OF THE OWNER. AVOID CONFLICT WITH PROPOSED AND/OR EXISTING FACILITIES. SERVICES SHALL BE INSTALLED UP TO 5 FEET FROM BUILDING UNLESS OTHERWISE NOTED. SERVICES WITHIN 5 FEET OF BUILDING TO BE BUILT FROM PLUMBING PLANS.
- CONTRACTOR IS TO VERIFY EXISTING UTILITY LOCATIONS AND ELEVATIONS PRIOR TO START OF CONSTRUCTION.
- ALL TRAFFIC SIGNS SHALL BE INSTALLED PRIOR TO OPENING THE STREETS TO TRAFFIC.

NOTICE TO CONTRACTOR

THE EXISTENCE AND LOCATIONS OF ALL UNDERGROUND UTILITIES (UTILITY PIPES, STRUCTURES, ETC.) SHOWN ON THESE PLANS (MAIN LINES ONLY - NO SERVICE LATERALS) WERE ASCERTAINED BY A REVIEW OF RECORDS PROVIDED BY THESE MEMBER AGENCIES AND ARE APPROXIMATE. NEITHER THE OWNER NOR THE ENGINEER ASSUMES ANY RESPONSIBILITY FOR UTILITIES NOT SHOWN OR NOT IN THE LOCATION SHOWN. THE CONTRACTOR IS REQUIRED TO TAKE DUE PRECAUTIONARY MEASURES TO PROTECT THE UTILITY LINES SHOWN AND ANY OTHER LINES NOT OF RECORD OR NOT SHOWN ON THESE PLANS. LOCATIONS OF UTILITIES SHALL BE VERIFIED BY THE CONTRACTOR PRIOR TO COMMENCEMENT OF CONSTRUCTION. CALL UNDERGROUND SERVICE ALERT (U.S.A.) 811 AT LEAST 2 WORKING DAYS PRIOR TO COMMENCEMENT OF CONSTRUCTION.

ENGINEER'S NOTES

PRIVATE ENGINEER WILL NOT BE PROVIDING INSPECTION SERVICES OR CONSTRUCTION REVIEW. THESE FUNCTIONS ARE THE RESPONSIBILITY OF THE CITY AND/OR THE GENERAL CONTRACTOR. ENGINEER ACCEPTS NO LIABILITY FOR SUCH FUNCTIONS OR WORK THEREOF.

DECLARATION OF RESPONSIBLE CHARGE

I HEREBY DECLARE THAT I AM THE ENGINEER OF WORK FOR THIS PROJECT THAT I HAVE EXERCISED RESPONSIBLE CHARGE OVER THE PROJECT AS DEFINED IN SECTION 6703 OF THE BUSINESS AND PROFESSIONS CODE, AND THAT THE DESIGN IS CONSISTENT WITH THE CURRENT STANDARD. I UNDERSTAND THAT THE CHECK OF THE PROJECT DRAWINGS AND SPECIFICATIONS BY THE CITY OF RIVERSIDE IS CONFINED TO A REVIEW ONLY AND DOES NOT RELIEVE ME, AS ENGINEER OF WORK, OF MY RESPONSIBILITIES FOR PROJECT DESIGN.

RICK ENGINEERING COMPANY
5620 FRIARS ROAD
SAN DIEGO, CALIFORNIA, 92110

BY: B. R. Stephenson DATED: 3/22/21

BRIAN R. STEPHENSON R.C.E. 69471

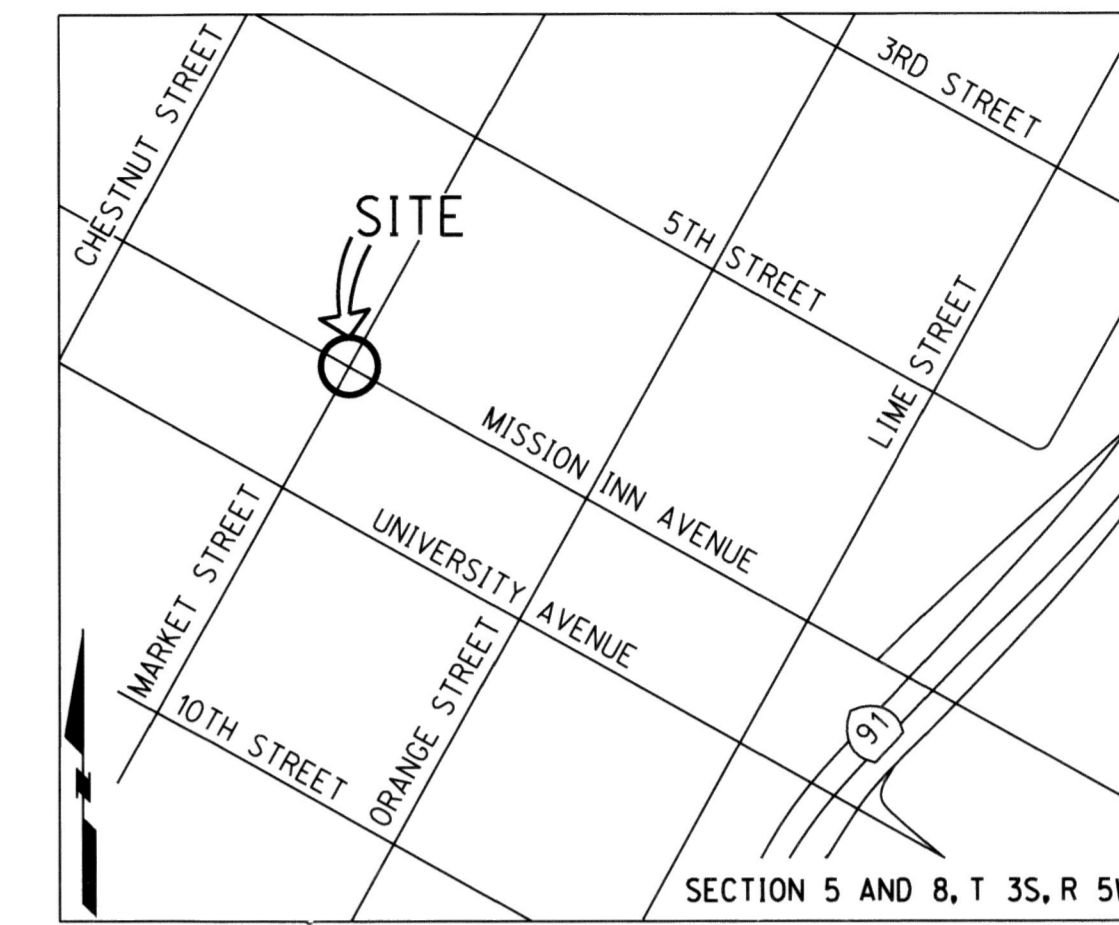
GENERAL SIGNING AND STRIPING NOTES

- SIGNING AND STRIPING INSTALLATIONS SHALL CONFORM TO THE CALIFORNIA MANUAL ON UNIFORM TRAFFIC CONTROL DEVICES (CA MUTCD), THE STATE OF CALIFORNIA DEPARTMENT OF TRANSPORTATION (CALTRANS) STANDARD PLANS AND SPECIFICATIONS DATED 2018, AND ALL ADDENDUMS THERETO, AND THE CITY OF RIVERSIDE PUBLIC WORKS DEPARTMENT STANDARD DRAWINGS, CURRENT EDITION.
- ALL STRIPING, MARKINGS, AND LEGENDS SHALL BE REFLECTORIZED THERMOPLASTIC UNLESS OTHERWISE NOTED. THE CONTRACTOR SHALL PROVIDE AND INSTALL RAISED PAVEMENT MARKERS FOR ALL STRIPING, STRIPING, MARKINGS AND LEGENDS SHALL CONFORM TO THE LATEST CALTRANS STANDARD PLANS A20A THRU A20E AND A24A THRU A24F.
- PRIOR TO FINAL ACCEPTANCE OF STREET IMPROVEMENTS, ALL PAVEMENT STRIPING AND STENCILING WITHIN THE PERIMETER OF THE CONSTRUCTION AREA SHALL BE RESTORED TO LIKE NEW CONDITION, IN A MANNER MEETING THE APPROVAL OF THE CITY OF RIVERSIDE.
- THE CONTRACTOR SHALL RE-STRIP EXISTING STRIPING AND CURB MARKINGS OBLITERATED BY NEW CONSTRUCTION, WHETHER OR NOT SHOWN ON THE PLANS FOR REPLACEMENT, AT NO COST TO THE CITY.
- AT LOCATIONS WHERE EXISTING PAINTED CURB IS TO BE RECONSTRUCTED, THE CONTRACTOR SHALL PAINT THE NEW CURB AS SHOWN ON THE PLANS WITHIN 10 WORKING DAYS OF CURB CONSTRUCTION OR AS DIRECTED BY ENGINEER. THE PAINT SHALL BE WATER-BASED WITH 2-YEAR GUARANTEE AGAINST COLOR FADING. PRIOR TO THE START OF CONSTRUCTION, THE CONTRACTOR SHALL SUBMIT TO THE CITY WRITTEN PROOF OF THE MANUFACTURER'S 2-YEAR GUARANTEE.
- ALL NEW STRIPING SHALL BE "CAT TRACKED" AND APPROVED BY THE ENGINEER PRIOR TO FINAL INSTALLATION. THE CONTRACTOR SHALL NOTIFY THE ENGINEER AFTER COMPLETING LAYOUT AT LEAST 3 WORKING DAYS BEFORE COMMENCING INSTALLATION OF STRIPING, MARKINGS AND MARKERS.
- TRAFFIC SIGN FACE SHALL BE 3M DIAMOND GRADE D63 REFLECTIVE SHEETING (ASTM XI) OR APPROVED EQUAL WITH PROTECTIVE GRAFFITI OVERLAY FILM OR AS OTHERWISE NOTED. ALL WARNING SIGNS SHALL HAVE A FLUORESCENT YELLOW BACKGROUND AND SCHOOL SIGNS NOTED SHALL HAVE A FLUORESCENT YELLOW-GREEN BACKGROUND.
- SIGNS SHALL BE STANDARD SIZE UNLESS NOTED OTHERWISE. PRIOR TO INSTALLATION, NEW SIGNS SHALL BE APPROVED BY THE CITY OF RIVERSIDE. EXACT LOCATIONS OF SIGNS SHALL BE DETERMINED BY THE CITY ENGINEER.
- ALL EXISTING SIGNS AND SIGN POSTS TO BE REMOVED SHALL BE DELIVERED TO THE CITY OF RIVERSIDE SIGN DEPARTMENT.
- WHEN PAINT IS SPECIFIED, TRAFFIC STRIPES AND MARKINGS SHALL BE APPLIED IN TWO COATS, A MINIMUM OF SEVEN DAYS SHALL BE PROVIDED BETWEEN FIRST AND SECOND COATS.
- STRIPING SHALL BE APPLIED WITHIN 48 HOURS OF SURFACE COURSE REPLACEMENT ON STREETS OPEN TO THE PUBLIC. IN NO CASE SHALL A NEWLY PAVED STREET OPEN TO THE PUBLIC BE LEFT UNSTRIPED OVER A WEEKEND OR HOLIDAY.
- CONTRACTOR SHALL INSTALL NEW SIGN(S) AND/OR POST(S) PER CITY OF RIVERSIDE STANDARD DRAWING NO. 664, SEE SPECIFICATIONS.
- ALL CONFLICTING STRIPING, PAVEMENT MARKINGS, LEGENDS, AND RAISED PAVEMENT MARKERS SHALL BE REMOVED EVEN IF NOT SHOWN ON PLANS. REMOVALS OF PAINTED STRIPING, PAVEMENT MARKINGS AND LEGENDS SHALL BE DONE BY WET SANDBLASTING. REMOVALS OF THERMOPLASTIC STRIPING, PAVEMENT MARKINGS AND LEGENDS SHALL BE REMOVED BY WET SANDBLASTING, GRINDING OR OTHER APPROVED METHOD AND SHALL NOT DAMAGE THE PAVEMENT. "BLACK OUT" OF EXISTING DELINEATION IS NOT PERMITTED. ALL DAMAGED PAVEMENT DUE TO REMOVALS SHALL BE REPAIRED AS NECESSARY TO MAINTAIN A SMOOTH AND UNIFORM SURFACE OR AS DIRECTED BY THE ENGINEER. ALL STRIPING REMOVALS AND LEGENDS SHALL BE "FOG SEALED".
- WHERE APPLICABLE, OUTBOUND LANE LINE DETAILS SHALL COMMENCE AT THE LIMIT LINE, MEANING THE PAINTED PORTION OF THE DETAIL SHALL JOIN THE LIMIT LINE.

GENERAL TRAFFIC SIGNAL NOTES

- ALL ITEMS FURNISHED AND ALL WORK TO BE DONE SHALL CONFORM TO THE REQUIREMENTS OF THE STATE OF CALIFORNIA, DEPARTMENT OF TRANSPORTATION (CALTRANS) STANDARD PLANS AND SPECIFICATIONS, DATED 2018; THE CALIFORNIA MANUAL ON UNIFORM TRAFFIC CONTROL DEVICES, REVISION 2 AND THE SPECIAL PROVISIONS.
- UTILITIES SHOWN ON THE PLAN ARE CORRECT AND ACCURATE TO THE EXTENT OF AVAILABLE RECORDS. THE CONTRACTOR IS REQUIRED TO TAKE STEPS TO ASCERTAIN THE EXACT LOCATION OF ALL KNOWN SUBSTRUCTURES PRIOR TO DOING WORK THAT MAY DAMAGE OR INTERFERE WITH SUCH FACILITIES ("UNDERGROUND SERVICE ALERT" (800) 227-2600).
- THE CONTRACTOR SHALL OBTAIN ALL NECESSARY PERMITS TO NOTIFY ALL AFFECTED AGENCIES AND THE RIVERSIDE UTILITY COMPANIES A MINIMUM OF 48 HOURS PRIOR TO START OF CONSTRUCTION.
- UNLESS SHOWN OTHERWISE, INDUCTIVE LOOPS SHALL BE MODIFIED TYPE "D" & TYPE "E" WITH 10', 15' AND 30' SPACING IN THE DIRECTION OF TRAVEL. NECESSARY STRIPING SHALL BE LOCATED PRIOR TO POSITIONING LOOPS. LOOPS SHALL BE SEALED WITH HOT MELT SEALANT. SEE DETAIL.
- CONDUCTOR SCHEDULE IS FURNISHED AS AN INSTALLATION GUIDELINE ONLY. IT SHALL BE THE CONTRACTOR'S RESPONSIBILITY TO PROVIDE THE CORRECT CONDUCTORS REQUIRED FOR THE INTENDED OPERATION.
- CONDUIT BETWEEN ADJOINING PULL BOXES SHALL BE 2" UNLESS SHOWN OTHERWISE. ALL CONDUIT AND FITTINGS SHALL BE RIGID METAL, UNLESS SHOWN OTHERWISE (BURIED IN A MINIMUM OF 30" OF COVER IN THE STREET AND PARKWAY).
- TRAFFIC SIGNAL INTERCONNECT (SIC) CONDUIT SHALL BE 2" UNLESS SHOWN OTHERWISE, BURIED IN A MINIMUM OF 30" OF COVER IN THE STREET AND PARKWAY. NO. 6 PULL BOXES WITH LIDS LABELED "COMMUNICATIONS" SHALL BE SPACED AT 400' AND THE MAXIMUM SIC BENDING RADIUS SHALL NOT EXCEED 45 DEGREES. SIC CONDUIT SHALL ONLY INCLUDE SIGNAL INTERCONNECT CONDUCTORS.
- UNDERGROUND SIGNAL CONDUCTORS SHALL NOT BE SPLICED.
- PULL BOXES SHALL BE NO. 6 WITH FIBERLITE LIDS LABELED "TRAFFIC SIGNAL" UNLESS OTHERWISE NOTED ON THE PLAN.
- PULL BOXES SHALL NOT BE LOCATED IN OR WITHIN 1' OF ANY CURB ACCESS RAMP OR DRIVEWAY.
- THE CONTRACTOR SHALL VERIFY WITH THE ENGINEER THE PRECISE FIELD LOCATIONS OF ALL TRAFFIC SIGNAL EQUIPMENT PRIOR TO THE INSTALLATION.
- ALL LANDSCAPING WHICH IS DAMAGED BY CONSTRUCTION ACTIVITIES SHALL BE REPAIRED OR REPLACED TO THE SATISFACTION OF THE CITY AND THE PROPERTY OWNER.
- NEW MAST ARM MOUNTED SIGN SHALL BE FABRICATED WITH 3M DIAMOND GRADE D63 REFLECTIVE SHEETING (ASTM TYPE XI) OR APPROVED EQUAL. MINIMUM SIGN SIZE SHALL BE 30" x 30".
- VEHICLE HEADS SHALL BE 12" LED TYPE. THE HOUSING, BACKPLATES AND VISORS SHALL BE METAL.
- INTERNALLY ILLUMINATED STREET NAME SIGNS (IISNS) SHALL BE TYPE A. STREET NAME LEGENDS SHALL BE UPPER/LOWER CASE AND SHALL INCLUDE BLOCK NUMBERS AND ROAD NAME SUFFIXES.
- SALVAGED TRAFFIC SIGNAL EQUIPMENT SHALL BE DELIVERED TO THE CITY OF RIVERSIDE TRAFFIC SIGNAL MAINTENANCE YARD.
- DAMAGED SIDEWALK CONCRETE SHALL BE REPLACED PER CITY OF RIVERSIDE STANDARD.
- THE CONTRACTOR SHALL REMOVE ALL UNUSED PULL BOXES AND RE-PAVE SURROUNDING AREA TO MATCH EXISTING OR PROPOSED GRADE. ALL UNUSED CONDUIT SHALL BE ABANDONED AND CAPPED UNCE UNUSED CONDUCTORS ARE REMOVED.
- IT SHALL BE THE RESPONSIBILITY OF THE CONTRACTOR TO FURNISH AND INSTALL ANY ADDITIONAL LOAD SWITCHES AND/OR DETECTOR CARDS, IF NECESSARY, FOR THE PROPOSED OPERATION.
- ALL 1A POLES SHALL BE ALUMINUM PER THE CITY'S STANDARD SPECIFICATIONS.
- ALL CONTRACTORS WORKING ON OR AROUND THE CITY OF RIVERSIDE'S UNDERGROUND ELECTRICAL FACILITIES MUST HAVE THE PROPERLY QUALIFIED PERSONNEL AND EQUIPMENT TO PERFORM THE SPECIFIED WORK. THE CONTRACTOR WILL BE SOLELY RESPONSIBLE TO ESTABLISH AND MAINTAIN A SAFE WORKING ENVIRONMENT INCLUDING, BUT NOT LIMITED TO WORK AROUND ENERGIZED HIGH VOLTAGE FACILITIES, GAS TESTING OF CONFINED SPACES, TRAFFIC AND PROTECTION.

EVERY ENTRY BY ANY PERSONNEL INTO A PUBLIC UTILITIES HIGH VOLTAGE STRUCTURE WILL REQUIRE THE PRESENCE OF A QUALIFIED ELECTRICAL WORKER IN ACCORDANCE WITH CalVOsha. ALL DEVELOPERS AND CONTRACTORS ARE REQUIRED TO SUBMIT REQUIRED DOCUMENTATION AND FOLLOW REQUIRED PROCEDURES. COPIES OF THE POLICY AND DOCUMENTS MAY BE OBTAINED AT 3901 ORANGE ST. RIVERSIDE, CA OR AT WWW.RIVERSIDEPUBLICUTILITIES.COM.



VICINITY MAP
N.T.S.

WORK TO BE DONE

THESE IMPROVEMENTS CONSIST OF THE FOLLOWING WORK TO BE DONE ACCORDING TO THESE PLANS, THE CURRENT CITY OF RIVERSIDE STANDARDS AND SPECIFICATIONS, THE CURRENT CITY OF RIVERSIDE PUBLIC UTILITIES DEPARTMENT WATER DIVISION STANDARDS AND SPECIFICATIONS, AND THE LATEST EDITION OF THE STANDARD SPECIFICATIONS FOR PUBLIC WORK CONSTRUCTION ("GREEN BOOK"), CALTRANS STANDARD PLANS (2018 EDITION); AND 2014 CA MUTCD.

PRIVATE ENGINEER'S NOTE TO CONTRACTOR

ALL CONTRACTORS AND SUBCONTRACTORS PERFORMING WORK SHOWN ON OR RELATED TO THESE PLANS SHALL CONDUCT THEIR OPERATIONS SO THAT ALL EMPLOYEES ARE PROVIDED A SAFE PLACE TO WORK AND THE PUBLIC IS PROTECTED. ALL CONTRACTORS AND SUBCONTRACTORS SHALL COMPLY WITH THE OCCUPATIONAL SAFETY AND HEALTH REGULATIONS OF THE U.S. DEPARTMENT OF LABOR AND THE STATE OF CALIFORNIA DEPARTMENT OF INDUSTRIAL RELATIONS CONSTRUCTION SAFETY ORDERS. THE CIVIL ENGINEER SHALL NOT BE RESPONSIBLE IN ANY WAY FOR THE CONTRACTOR'S AND SUBCONTRACTOR'S COMPLIANCE WITH SAID REGULATIONS AND ORDERS.

CONTRACTOR FURTHER AGREES THAT HE SHALL ASSUME SOLE AND COMPLETE RESPONSIBILITY FOR JOB-SITE CONDITIONS DURING THE COURSE OF CONSTRUCTION OF THIS PROJECT, INCLUDING SAFETY OF ALL PERSONS AND PROPERTY. THAT THIS REQUIREMENT SHALL APPLY CONTINUOUSLY AND NOT BE LIMITED TO NORMAL WORKING HOURS, AND THAT THE CONTRACTOR SHALL DEFEND, INDEMNIFY AND HOLD THE OWNER AND CIVIL ENGINEER HARMLESS FROM ANY AND ALL LIABILITY, REAL OR ALLEGED, IN CONNECTION WITH THE PERFORMANCE OF WORK ON THIS PROJECT, EXCEPTION FOR LIABILITY ARISING FROM THE SOLE NEGLIGENCE OF THE OWNER OR ENGINEER.

THE EXISTENCE AND APPROXIMATE LOCATIONS OF ANY UNDERGROUND UTILITIES OR STRUCTURES SHOWN ON THESE PLANS ARE OBTAINED BY A SEARCH OF THE AVAILABLE RECORDS. THE CIVIL ENGINEER ASSUMES NO LIABILITY AS TO THE EXACT LOCATION OF SAID LINES NOR FOR UTILITY OR IRRIGATION LINES WHOSE LOCATIONS ARE NOT SHOWN. THE CONTRACTOR SHALL BE RESPONSIBLE FOR NOTIFYING ALL UTILITY AND IRRIGATION COMPANIES PRIOR TO WORK OR EXCAVATION TO DETERMINE THE EXACT LOCATIONS OF ALL LINES AFFECTING THIS WORK, WHETHER OR NOT SHOWN HERE ON, AND FOR ANY DAMAGE OR PROTECTION TO THESE LINES.

BENCHMARK

CITY OF RIVERSIDE BENCHMARK "Z-1-AUX"
ELEVATION=851.967' BRASS
DATUM=NGVD 29

OWNER/DEVELOPER

STALDER PLAZA LP
9201 WILSHIRE BLVD, SUITE 103
BEVERLY HILLS, CA. 90210
ATTN: MICHELLE RUBIN
(310) 513-1776

CIVIL ENGINEER

RICK ENGINEERING COMPANY
1770 IOWA AVENUE, SUITE 100
RIVERSIDE, CA 92507
(951) 782-0707

SHEET INDEX

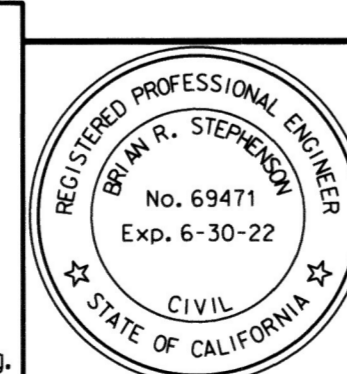
TITLE SHEET	1
SIGNING & STRIPING PLAN	2
TRAFFIC SIGNAL MODIFICATION PLAN	3

CAUTION:

EXACT LOCATION OF EXISTING UNDERGROUND FACILITIES IS UNKNOWN. CONTRACTOR TO VERIFY IN FIELD.



Call at least 2 working days prior to excavating.



PREPARED UNDER THE DIRECTION OF

Brian R. Stephenson
BRIAN R. STEPHENSON
REGISTERED CIVIL ENGINEER NO. C 69471



1770 IOWA AVENUE - SUITE 100
RIVERSIDE, CA 92507
951.782.0707
(FAX) 951.782.0723
rickengineering.com

BENCH MARK:
CITY OF RIVERSIDE BENCHMARK "Z-1-AUX"
ELEVATION=851.967
DATUM=NGVD 29

DESIGNED BY	PJ	DRAWN BY	PJ	CHECKED BY	BRS/CCPM
DATE		DATE		DATE	
REVISIONS		APPR	DATE	CITY	

CITY OF RIVERSIDE
PUBLIC WORKS DEPARTMENT

APPROVED BY	BY	DATE	APPROVED BY
ENGINEERING MANAGER			
PRINCIPAL ENGINEER			
TRAFFIC DIVISION			
CONSTRUCTION ADMIN.			

TITLE SHEET
MISSION INN AVENUE
AND MARKET STREET

STALDER PLAZA
SCALE
HORIZ: NONE VERT: NONE

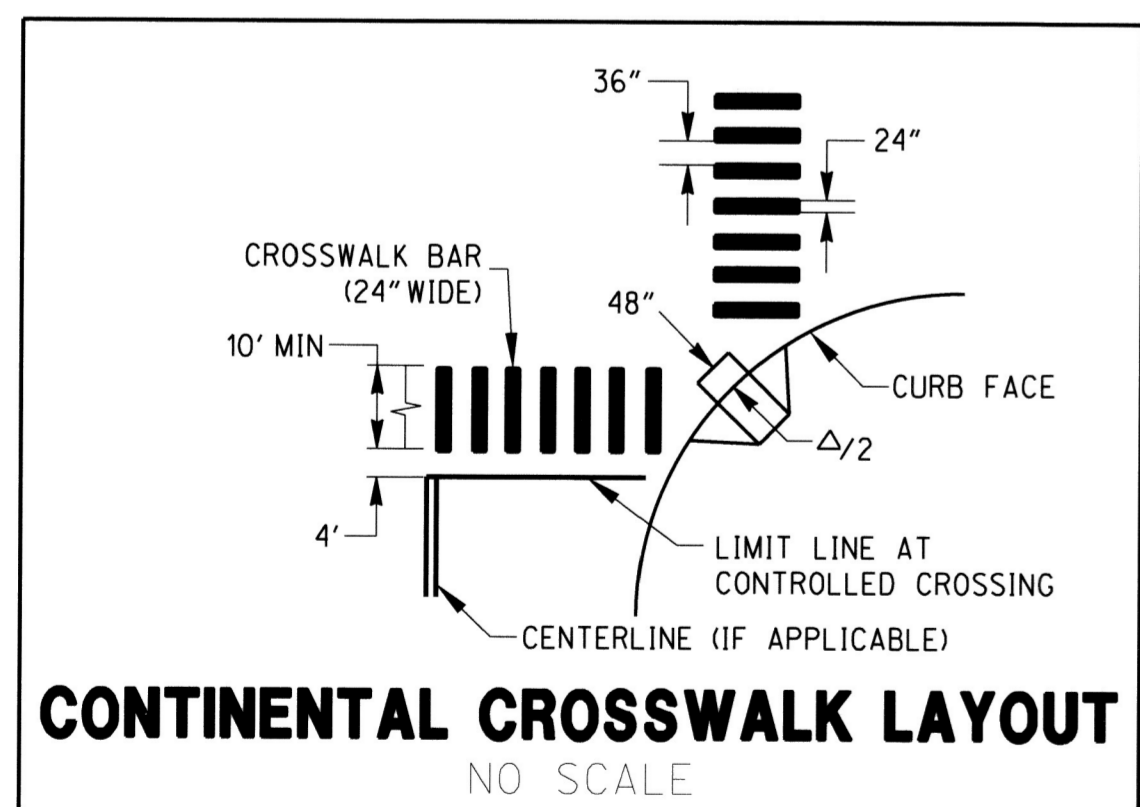
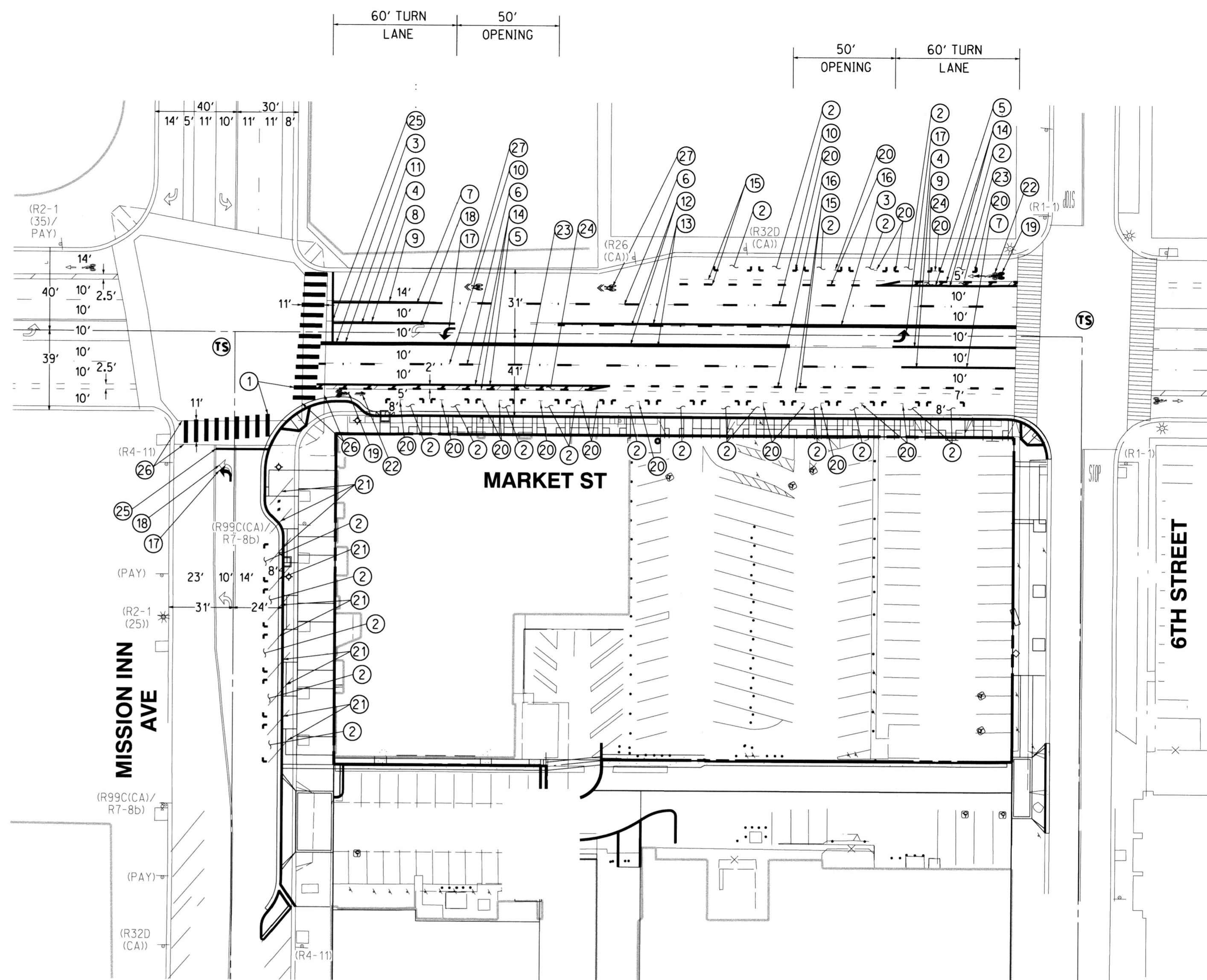
PW20-0926
X-120D
SHEET 1 OF 3
FILE NO.

LEGEND

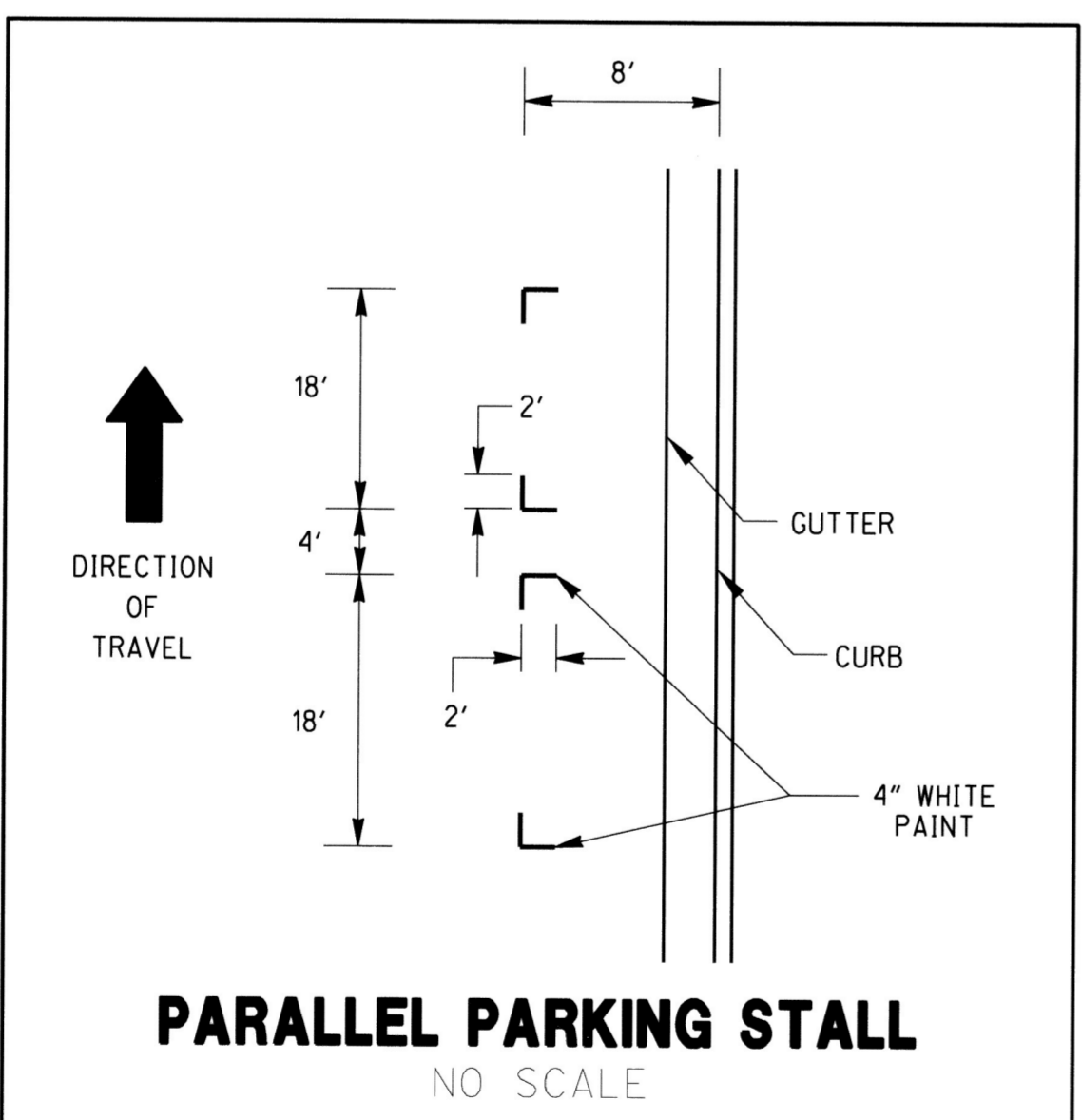
- TRAFFIC SIGNAL
- EXIST. PVMT. MARKINGS
- EXIST. SIGNS
- PROPOSED PVMT. MARKINGS
- PROPOSED SIGNS

CONSTRUCTION NOTES

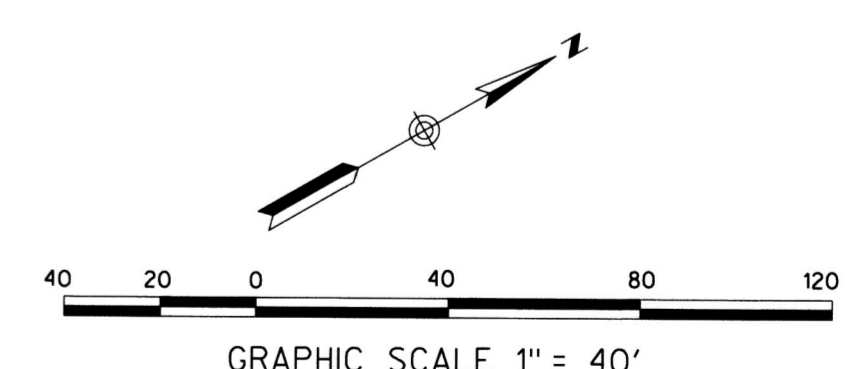
- 1 INSTALL CONTINENTAL CROSSWALK PAVEMENT MARKINGS PER DETAIL "A".
- 2 INSTALL WHITE PARALLEL PARKING SPACE STRIPING PER CITY OF RIVERSIDE OFF-STREET PARKING AND LOADING STANDARDS AND DETAIL "B".
- 3 INSTALL 6" SOLID DOUBLE YELLOW CENTERLINE STRIPE PER DETAIL 22 OF CALTRANS STANDARD PLANS 2018.
- 4 INSTALL 8" SOLID WHITE CHANNELIZING STRIPE PER DETAIL 38 OF CALTRANS STANDARD PLANS 2018.
- 5 INSTALL 6" SOLID WHITE BIKE LANE STRIPE PER DETAIL 39 OF CALTRANS STANDARD PLANS 2018.
- 6 INSTALL 6" DASHED WHITE LANE LINE STRIPE PER DETAIL 9 OF CALTRANS STANDARD PLANS 2018.
- 7 INSTALL 50' OF 6" SOLID WHITE STRIPE.
- 8 REMOVE EXISTING 8" SOLID WHITE CHANNELIZING STRIPE (DETAIL 38).
- 9 REMOVE EXISTING 6" SOLID WHITE STRIPE.
- 10 REMOVE EXISTING 6" DASHED WHITE LANE LINE STRIPE (DETAIL 9).
- 11 REMOVE EXISTING 6" SOLID DOUBLE YELLOW CENTERLINE STRIPE (DETAIL 22).
- 12 REMOVE EXISTING 4" SOLID/DASHED DOUBLE YELLOW TWO WAY LEFT TURN LANE STRIPE (DETAIL 31).
- 13 INSTALL 6" SOLID/DASHED DOUBLE YELLOW TWO WAY LEFT TURN LANE STRIPE PER DETAIL 32 OF CALTRANS STANDARD PLANS 2018.
- 14 REMOVE EXISTING 6" SOLID WHITE BIKE LANE STRIPE (DETAIL 39).
- 15 REMOVE EXISTING 6" DASHED WHITE INTERSECTION LINE BIKE LANE STRIPE (DETAIL 39A).
- 16 INSTALL 6" DASHED WHITE INTERSECTION LINE BIKE LANE STRIPE PER DETAIL 39A OF CALTRANS STANDARD PLANS 2018.
- 17 INSTALL TYPE IV ARROW PAVEMENT MARKING PER CALTRANS STANDARD PLANS 2018.
- 18 REMOVE EXISTING TYPE IV ARROW PAVEMENT MARKING.
- 19 INSTALL BIKE LANE SYMBOL WITH PERSON AND BIKE LANE ARROW PER CALTRANS STANDARD PLANS 2018.
- 20 REMOVE EXISTING 4" WHITE PARALLEL PARKING STALL MARKINGS.
- 21 REMOVE EXISTING 4" SOLID WHITE STRIPE.
- 22 REMOVE EXISTING BIKE LANE SYMBOL WITH PERSON AND BIKE LANE ARROW.
- 23 INSTALL 6" WHITE DIAGONAL MARKINGS ANGLED AT 45 DEGREES AND STRIPED AT INTERVALS OF 12'.
- 24 REMOVE EXISTING 6" WHITE DIAGONAL MARKINGS.
- 25 INSTALL 12" LIMIT LINE PAVEMENT PARKING PER CALTRANS STANDARD PLANS 2018.
- 26 REMOVE EXISTING 12" CROSSWALK PAVEMENT MARKINGS.
- 27 INSTALL SHARED LANE MARKINGS (SHARROWS) 8' FROM FACE OF CURB.



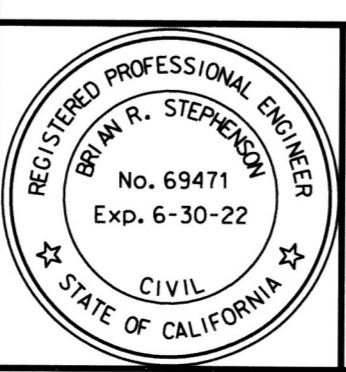
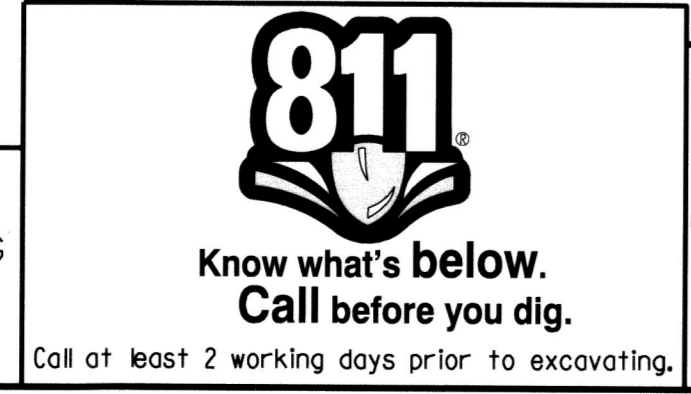
DETAIL 'A'



DETAIL 'B'



CAUTION:
EXACT LOCATION OF EXISTING UNDERGROUND FACILITIES IS UNKNOWN. CONTRACTOR TO VERIFY IN FIELD.



PREPARED UNDER THE DIRECTION OF
 B.R. Stephenson
 BRIAN R. STEPHENSON
 REGISTERED CIVIL ENGINEER NO. C 69471

RICK ENGINEERING COMPANY
 1770 IOWA AVENUE - SUITE 100
 RIVERSIDE, CA 92507
 951-782-0707
 (FAX) 951-782-0723
 BENCH MARK: CITY OF RIVERSIDE BENCHMARK "Z-1-AUX"
 ELEVATION: 851.967
 DATUM: NGVD 29

BY	DATE	REVISIONS	APPR. DATE
ENGINEER			
DESIGNED BY	PJ	DRAWN BY	PJ
CHECKED BY	CCPM		

CITY OF RIVERSIDE
 PUBLIC WORKS DEPARTMENT

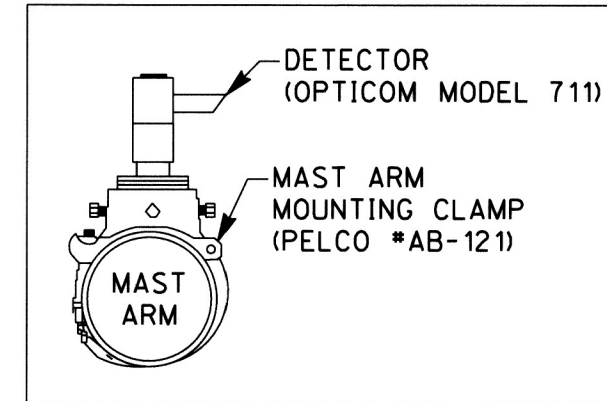
APPROVED BY	BY	DATE
ENGINEERING MANAGER		
PRINCIPAL ENGINEER		
TRAFFIC DIVISION	DM	4/1/21
CONSTRUCTION ADMIN.	DL	4/1/21
DATE	APRIL 5, 2021	

SIGNING AND STRIPING PLAN
 MISSION INN AVENUE AND MARKET STREET
 STALDER PLAZA

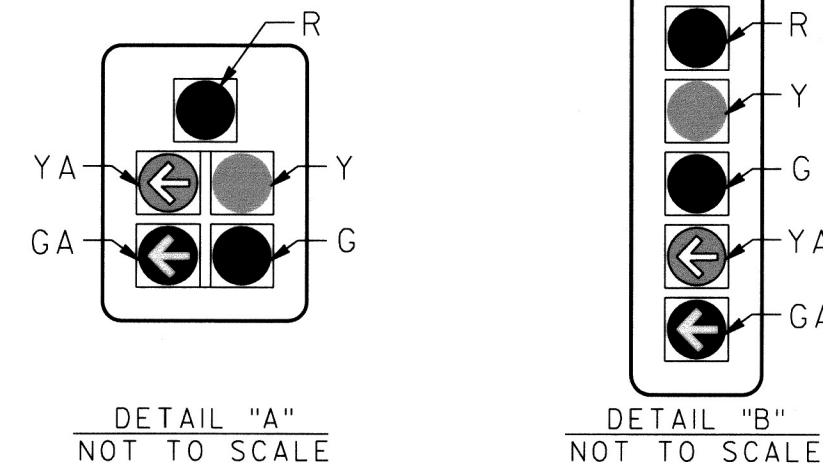
PW20-0926
 X-120D
 SHEET 2 OF 3

POLE AND EQUIPMENT SCHEDULE													
No.	STANDARD TYPE	HGT.	SIG. M. A.	LUM. M. A.	LUMINAIRE LED	LUMENS	SIGNAL MOUNTING			PPB PHASE	POLE LOC.		NOTES
							VEHICLE	PED			A	B	
A	26-4-80	30'	45'	12'	250W (N)	MISSION INN ³⁰⁰	2-MAS	SV-1-T	SP-1-T	6P	EX.	EX.	4
B	61-5-100	30'	45'	12'	250W (N)	-	MAS-5A	SV-1-T	SP-1-T	8P	EX.	EX.	-
C	1-A	8'	-	-	-	-	-	TV-2-T	-	8P	EX.	EX.	-
D	1-A	8'	-	-	-	-	-	TP-2-T	-	2P	EX.	EX.	-
E	26-4-80	30'	45'	12'	250W	-	2-MAS	SV-1-T	SP-1-T	2P	EX.	EX.	RS
F	26-4-100(N)	-	40' (N)	12' (N)	250W (N)	MISSION INN ³⁰⁰ (RL)	2-MAS (N)	SV-1-T (N)	SP-1-T (N)	2P (N)	8.0'	6.0'	5 8
G	68J10	30'	-	10'	200W	-	-	TV-1-T	SP-1-T	4P	EX.	EX.	RL
H	68J10 (RL)	30'	-	10' (RL)	200W (N)	-	-	SV-1-T (N)	SP-1-T (N)	4P (N)	15.0'	16.0'	3 8
I	24-4-80	30'	35'	12'	250W (N)	MARKET ³¹⁰⁰	MAS-5A	SV-1-T	SP-1-T	4P	EX.	EX.	4
J	68J10	30'	-	10'	200W (N)	-	-	TV-1-T	SP-1-T	6P	EX.	EX.	-

CONTRACTOR SHALL POTHOLE POLE LOCATIONS PRIOR TO ORDERING NEW POLES AND MAST ARMS.
(N) = NEW EQUIPMENT; (RL) = RELOCATE EQUIPMENT
ALL EQUIPMENT TO BE PROTECTED IN PLACE UNLESS OTHERWISE NOTED. **



EVPE DETECTOR INSTALLATION



DETAIL "A" NOT TO SCALE

DETAIL "B" NOT TO SCALE

TRAFFIC SIGNAL CONSTRUCTION NOTES AND ABBREVIATIONS

- EXISTING 333 JP CABINET WITH INTERNAL BATTERY BACK-UP SYSTEM TO REMAIN. REPLACE EXISTING MODEL 170 CONTROLLER WITH A NEW MODEL 2070 CONTROLLER.
 - EXISTING 1-A POLE WITH BREAKER TO REMAIN.
 - RELOCATE POLE FROM LOCATION F TO LOCATION F'.
 - EXISTING EMERGENCY VEHICLE PREEMPTION EQUIPMENT TO REMAIN.
 - RELOCATE EXISTING GTT MODEL NO. 711 VEHICLE PREEMPTION EQUIPMENT ONTO POLE E'.
 - CONTRACTOR SHALL PROTECT EXISTING DETECTOR LOOP CABLE (DLC) FOR Ø3 AND Ø8 AND REUSE UNLESS OTHERWISE INDICATED BY CITY TRAFFIC ENGINEER OR HIS REPRESENTATIVE.
 - MATCH EXISTING CONDUIT. ADD PULL ROPE.
 - NEW PEDESTRIAN PUSH BUTTONS SHALL BE POLARA APS BUTTONS OR CITY-APPROVED EQUAL.
- AB ABANDON
AB RELOCATE
RS REMOVE AND SALVAGE
CB INSTALL CONDUIT INTO EXISTING PULL BOX.
CC CONNECT NEW AND EXISTING CONDUIT. REMOVE EXISTING CONDUCTORS AND INSTALL CONDUCTORS AS INDICATED.

NOTICE TO CONTRACTORS:

PURSUANT TO ASSEMBLY BILL 3019, NO EXCAVATION PERMITS VALID UNLESS THE FOLLOWING IS PERFORMED:

- UNDERGROUND SERVICE ALERT HAS BEEN CONTACTED AND HAS PROVIDED INQUIRY I.D.*
- THE UNDERSIGNED AGREES TO CONTACT AND OBTAIN AN INQUIRY I.D.* FROM UNDERGROUND SERVICE ALERT (1-800-227-2600) AT LEAST 2 WORKING DAYS PRIOR TO COMMENCEMENT OF EXCAVATION.

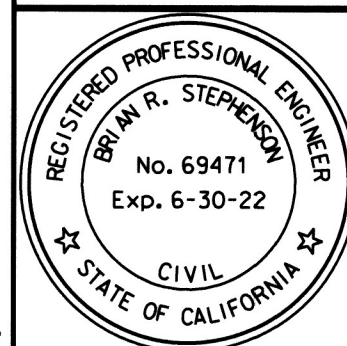
SIGNED _____ DATE _____

CAUTION:

EXACT LOCATION OF EXISTING UNDERGROUND FACILITIES IS UNKNOWN. CONTRACTOR TO VERIFY IN FIELD.



Call at least 2 working days prior to excavating.



PREPARED UNDER THE DIRECTION OF

Brian R. Stephenson
REGISTERED CIVIL ENGINEER NO. 69471
DATE 3/22/21



1770 IOWA AVENUE - SUITE 100
RIVERSIDE, CA 92507
951-782-0777
(FAX) 951-782-0723
rickengineering.com

CITY BUSINESS TAX CERTIFICATE NO. 35225 EXP. DATE 7/31/21

BENCH MARK:
CITY OF RIVERSIDE BENCHMARK "2-1-AUX"
ELEVATION=851.967
DATUM=NGVD 29

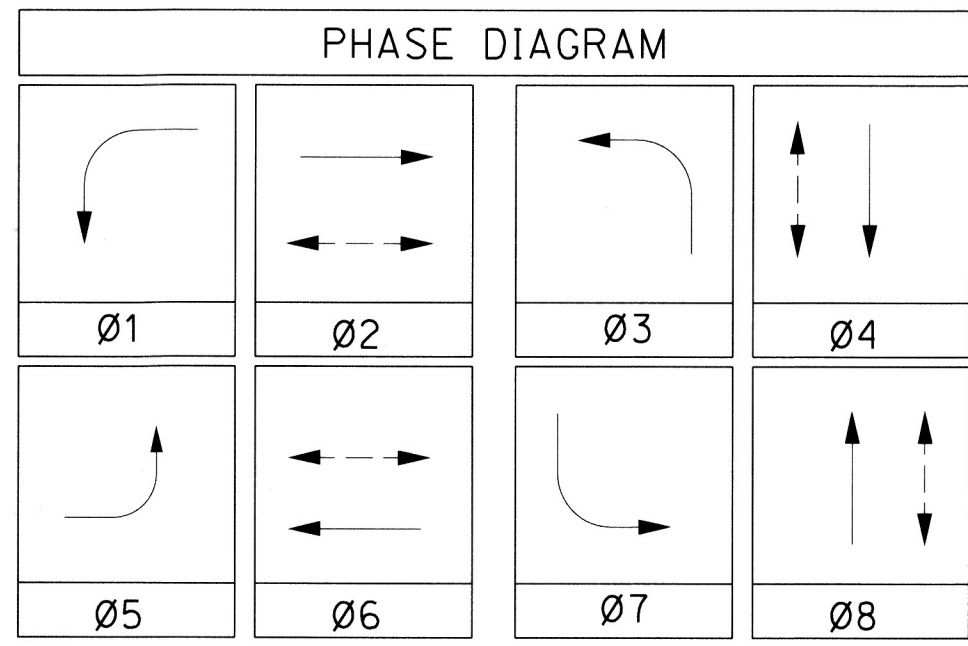
BY	DATE	REVISIONS	APPR DATE	CITY	
DESIGNED BY	PJ	DRAWN BY	PJ	CHECKED BY	BRS/CCPM

CITY OF RIVERSIDE
PUBLIC WORKS DEPARTMENT

APPROVED BY _____ BY DATE _____
PRINCIPAL ENGINEER
TRAFFIC DIVISION
CONSTRUCTION ADMIN. _____
DATE APR 5, 2021

TRAFFIC SIGNAL MODIFICATION PLAN PW20-0926

MISSION INN AVENUE AND MARKET STREET
STALDER PLAZA
SCALE: HORIZ: 1"=20' VERT: NONE
SHEET 3 OF 3
FILE NO. X-120D



CONDUCTOR AND CONDUIT TABLE										
CONTROL FUNCTION	CONDUCTORS	CONDUIT RUNS								
		SIZE	Ø1	Ø2	Ø3	Ø4	Ø5	Ø6	Ø7	Ø8
VEHICLE & PEDESTRIAN HEADS, PEDESTRIAN PUSH BUTTONS, SPARES & COMMONS	12 WIRE IMSA 9 WIRE IMSA 3 WIRE IMSA	2	2	2	2	5	4	3	2	1
DET. CABLES	#16/2	-	-	2	2	2	2	2	-	-
TOTAL DLC		4	4	16	10	7	7	4	-	-
LUMINAIRES	#8	2	2	-	2	2	2	2	2	2
SIGNAL SERVICE	#6	-	-	2	2	2	2	-	-	-
INTERCONNECT CABLE	12-STRAND SM FIBER OPTIC CABLE	-	-	1	-	-	-	-	-	-
EVP CABLE	#20	1	1	3	1	1	1	-	-	1
I. I. S. N. S.	#12	2	2	-	2	2	2	2	2	2
CONDUIT SIZE		(N) 3"	EX. 3"	EX. 2-3"	EX. 4"	EX. 4"	EX. 3"	EX. 2 1/2"	(N) 2"	

ALL EXISTING CONDUITS AND CONDUCTORS ARE TO BE PROTECTED IN-PLACE, UNLESS SHOWN (N)=NEW.

