

**TRAFFIC SIGNAL GENERAL NOTES:**

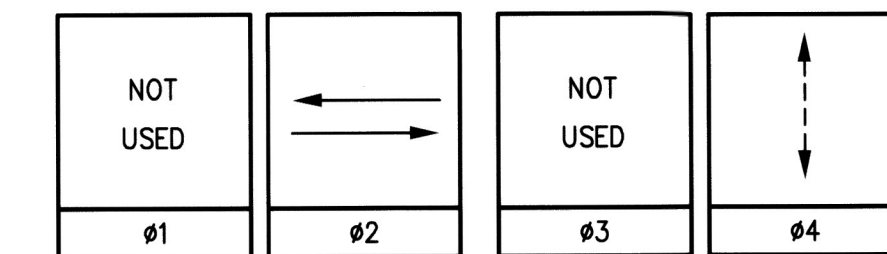
- ALL ITEMS FURNISHED AND ALL WORK TO BE DONE SHALL CONFORM TO THE REQUIREMENTS OF: THE STATE OF CALIFORNIA, DEPARTMENT OF TRANSPORTATION (CALTRANS) STANDARD PLANS AND SPECIFICATIONS, DATED 2015; THE CALIFORNIA MANUAL ON UNIFORM TRAFFIC CONTROL DEVICES ADOPTED 2014; AND THE SPECIAL PROVISIONS.
- UTILITIES SHOWN ON THE PLAN ARE CORRECT AND ACCURATE TO THE EXTENT OF AVAILABLE RECORDS. THE CONTRACTOR IS REQUIRED TO TAKE STEPS TO ASCERTAIN THE EXACT LOCATION OF ALL KNOWN SUBSTRUCTURES PRIOR TO DOING WORK THAT MAY DAMAGE OR INTERFERE WITH SUCH FACILITIES ("UNDERGROUND SERVICE ALERT" (800) 227-2600).
- THE CONTRACTOR SHALL OBTAIN ALL NECESSARY PERMITS TO NOTIFY ALL AFFECTED AGENCIES AND THE RIVERSIDE UTILITY COMPANIES A MINIMUM OF 48 HOURS PRIOR TO START OF CONSTRUCTION.
- UNLESS SHOWN OTHERWISE, INDUCTIVE LOOPS SHALL BE MODIFIED TYPE "D" & TYPE "E" WITH 10', 15' AND 30' SPACING IN THE DIRECTION OF TRAVEL. NECESSARY STRIPING SHALL BE LOCATED PRIOR TO POSITIONING LOOPS. LOOPS SHALL BE SEALED WITH HOT MELT SEALANT. SEE DETAIL.
- CONDUCTOR SCHEDULE IS FURNISHED AS AN INSTALLATION GUIDELINE ONLY. IT SHALL BE THE CONTRACTOR'S RESPONSIBILITY TO PROVIDE THE CORRECT CONDUCTORS REQUIRED FOR THE INTENDED OPERATION.
- CONDUIT BETWEEN ADJOINING PULL BOXES SHALL BE 2" UNLESS SHOWN OTHERWISE. ALL CONDUIT AND FITTINGS SHALL BE RIGID METAL, UNLESS SHOWN OTHERWISE (BURIED IN A MINIMUM OF 30" OF COVER IN THE STREET AND PARKWAY).
- TRAFFIC SIGNAL INTERCONNECT (SIC) SHALL BE 2" UNLESS SHOWN OTHERWISE, BURIED IN A MINIMUM OF 30" OF COVER IN THE STREET AND PARKWAY. NO. 6 PULL BOXES WITH LIDS LABELED "COMMUNICATINS", SHALL BE SPACED AT 400' AND THE MAXIMUM SIC BENDING RADIUS SHALL NOT EXCEED 45'. SIC CONDUIT SHALL ONLY INCLUDE SIGNAL INTERCONNECT CONDUCTORS.
- UNDERGROUND SIGNAL CONDUCTORS SHALL NOT BE SPLICED.
- PULL BOXES SHALL BE NO. 6 WITH FIBERLITE LIDS LABELED "TRAFFIC SIGNAL" UNLESS OTHERWISE NOTED ON THE PLAN.
- PULL BOXES SHALL NOT BE LOCATED IN OR WITHIN 1' OF ANY CURB ACCESS RAMP OR DRIVEWAY.
- THE CONTRACTOR SHALL VERIFY WITH THE ENGINEER THE PRECISE FIELD LOCATIONS OF ALL TRAFFIC SIGNAL EQUIPMENT PRIOR TO THE INSTALLATION.
- ALL LANDSCAPING WHICH IS DAMAGED BY CONSTRUCTION ACTIVITIES SHALL BE REPAIRED OR REPLACED TO THE SATISFACTION OF THE CITY AND THE PROPERTY OWNER.
- NEW MAST ARM MOUNTED SIGN SHALL BE FABRICATED WITH 3M DIAMOND GRADE D03 REFLECTIVE SHEETING (ASTM TYPE XI) OR APPROVED EQUAL. SIGNS SHALL BE STANDARD SIZE AND HAVE A MINIMUM SIDE DIMENSION OF 30".
- VEHICLE HEADS SHALL BE 12" LED TYPE. THE HOUSING, BACKPLATES AND VISORS SHALL BE METAL.
- INTERNALLY ILLUMINATED STREET NAME SIGNS (IISNS) SHALL BE TYPE A. STREET NAME LEGENDS SHALL BE UPPER/LOWER CASE AND SHALL INCLUDE BLOCK NUMBERS AND ROAD NAME SUFFIXES.
- SALVAGED TRAFFIC SIGNAL EQUIPMENT SHALL BE DELIVERED TO THE CITY OF RIVERSIDE TRAFFIC SIGNAL MAINTENANCE YARD.
- DAMAGED SIDEWALK CONCRETE SHALL BE REPLACED PER CITY OF RIVERSIDE STANDARD.
- THE CONTRACTOR SHALL REMOVE ALL UNUSED PULL BOXES AND RE-PAVE SURROUNDING AREA TO MATCH EXISTING OR PROPOSED GRADE. ALL UNUSED CONDUIT SHALL BE ABANDONED AND CAPPED ONCE UNUSED CONDUCTORS ARE REMOVED.
- IT SHALL BE THE RESPONSIBILITY OF THE CONTRACTOR TO FURNISH AND INSTALL ANY ADDITIONAL LOAD SWITCHES AND/OR DETECTOR CARDS, IF NECESSARY, FOR THE PROPOSED OPERATION.
- ALL CONTRACTORS WORKING ON OR AROUND THE CITY OF RIVERSIDE'S UNDERGROUND ELECTRICAL FACILITIES MUST HAVE THE PROPERLY QUALIFIED PERSONNEL AND EQUIPMENT TO PERFORM THE SPECIFIED WORK. THE CONTRACTOR WILL BE SOLELY RESPONSIBLE TO ESTABLISH AND MAINTAIN A SAFE WORKING ENVIRONMENT INCLUDING, BUT NOT LIMITED TO WORK AROUND ENERGIZED HIGH VOLTAGE FACILITIES, GAS TESTING OF CONFINED SPACES, TRAFFIC AND PROTECTION.

EVERY ENTRY BY ANY PERSONNEL INTO A PUBLIC UTILITIES HIGH VOLTAGE STRUCTURE WILL REQUIRE THE PRESENCE OF A QUALIFIED ELECTRICAL WORKER IN ACCORDANCE WITH Cal/OSHA. ALL DEVELOPERS AND CONTRACTORS ARE REQUIRED TO SUBMIT REQUIRED DOCUMENTATION AND FOLLOW REQUIRED PROCEDURES. COPIES OF THE POLICY AND DOCUMENTS MAY BE OBTAINED AT 3901 ORANGE ST. RIVERSIDE, CA OR AT [WWW.RIVERSIDEPUBLICUTILITIES.COM](http://WWW.RIVERSIDEPUBLICUTILITIES.COM)

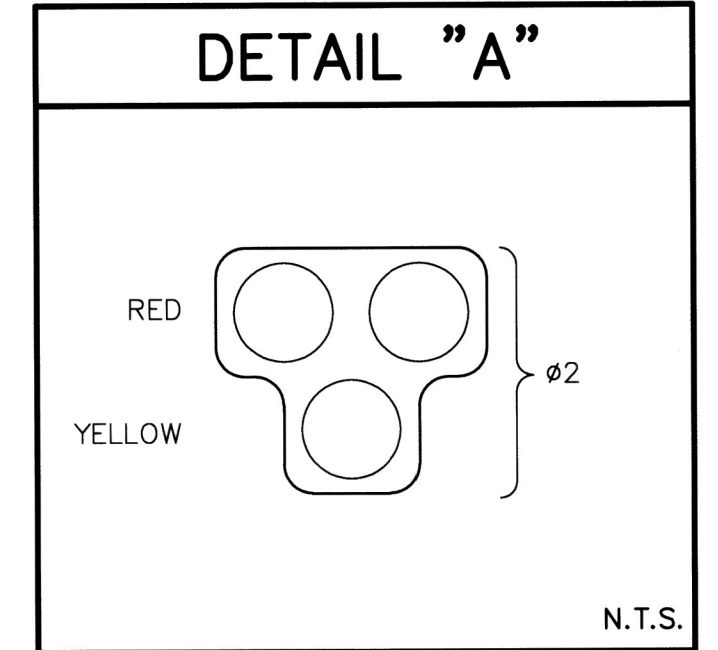
**CONSTRUCTION NOTES:**

- INSTALL SIGNAL HEADS PER DETAIL "A"
- CONTRACTOR SHALL CONSTRUCT (TYPE 332 CABINET) FOUNDATION. CONTRACTOR SHALL FURNISH AND INSTALL MODEL 2070 CONTROLLER ASSEMBLY IN MODEL 332 ANODIZED ALUMINUM CABINET, COMPLETE WITH DETECTION SHOWN AND AUXILIARY EQUIPMENT PER CITY OF RIVERSIDE SPECIFICATIONS.
- EXISTING ELECTRICAL SERVICE POLE UTILITY (NO. 50-J39200-05) PER CITY OF RIVERSIDE STANDARD DRAWING No. 667. ANY CHANGES SHALL BE APPROVED BY THE DEPARTMENT PRIOR TO EXECUTION. THE CONTRACTOR SHALL BE RESPONSIBLE FOR COORDINATING ALL PHASES OF CONSTRUCTION WITH THE DEPARTMENT CONSTRUCTION INSPECTOR A MINIMUM OF THREE WEEKS PRIOR TO TRAFFIC SIGNAL TURN ON.
- INSTALL ONE (1) GTT MODEL No. 711 (OR CITY-APPROVED EQUAL) EMERGENCY VEHICLE PRE-EMPTION DETECTOR ASSEMBLY (INCLUDING MOUNTING HARDWARE AND CABLE) FOR EACH DIRECTION, OR OPTICOM MODEL No. 722 (DUAL DIRECTION) AS SHOWN ON PLAN. E.V.P.E. SHALL BE MOUNTED ON THE MAST ARM PER DETAIL "B".
- CONTRACTOR SHALL COORDINATE REMOVAL WITH RIVERSIDE PUBLIC UTILITIES 72 HOURS IN ADVANCE OF WORK. CONTRACTOR SHALL CONTACT RIVERSIDE PUBLIC UTILITIES AT (951) 826-5484.
- INSTALL 2" C, 2 # 6 (SVC), 2 # 12 (IISNS), 2 # 8 (LTNG)
- CONTRACTOR SHALL INSTALL A CITY FURNISHED MULTI-POINT RADIO. CONTRACTOR SHALL CONTACT (951) 826-2251, 48 HOUR IN ADVANCE OF INSTALLATION.
- CONTRACTOR SHALL CONTACT THE TRAFFIC SIGNAL MAINTENANCE DIVISION AT (951) 351-6098 TO SCHEDULE INSTALLATION OF BREAKER BOX ON EXISTING UTILITY POLE.
- CONSTRUCT WHEELCHAIR RAMP PER CITY STD. 304 (SEE TYPE ON PLAN)
- CONSTRUCT SIDEWALK PER CITY STD. 325
- CLEARING AND GRUBBING LANDSCAPE
- INSTALL CROSSWALK PER DETAIL "C"
- INSTALL SIGN AS NOTED.
- REMOVE AND SALVAGE EXISTING EQUIPMENT REMOVE FOUNDATION COMPLETELY (IF APPLICABLE). CONTRACTOR SHALL COORDINATE W/ PUBLIC UTILITIES FOR STREET LIGHT REMOVAL.
- INSTALL PAVEMENT MARKING ON STRIPING DETAIL AS NOTED.
- REMOVE ALL EXISTING CONFLICTING TRAFFIC STRIPING AND MARKINGS AS NOTED, INCLUDING RAISED PAVEMENT MARKERS.

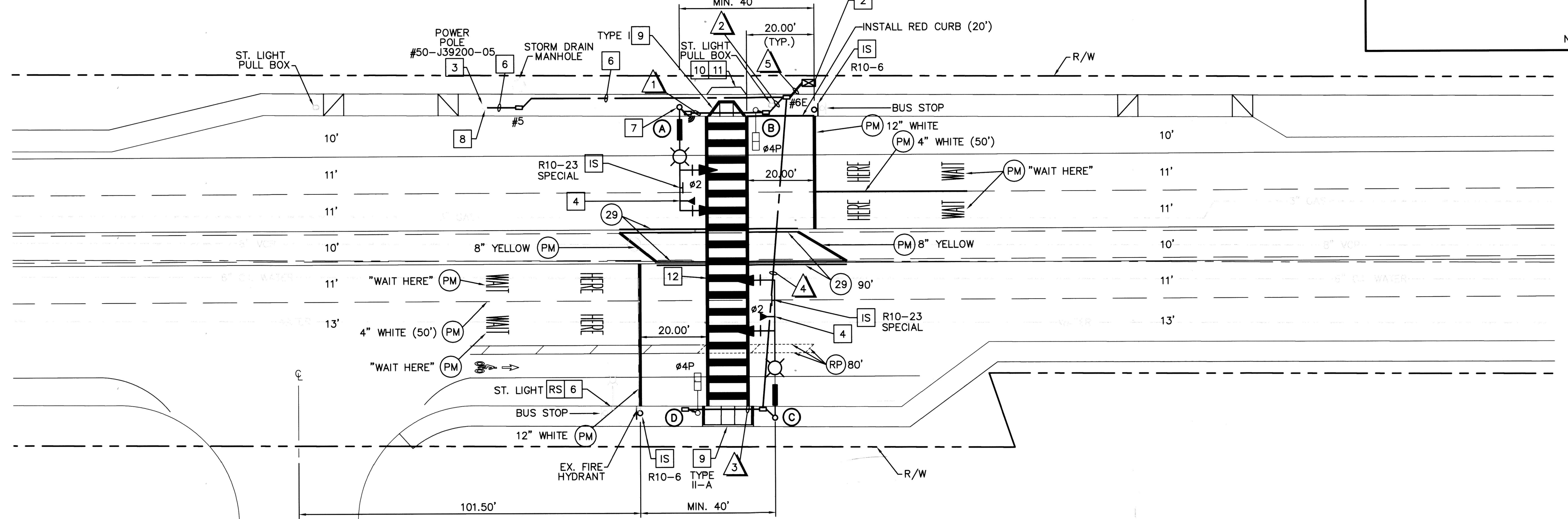
**PHASE DIAGRAM**



\*\*FLASHING OPERATION SHALL BE ALL RED.

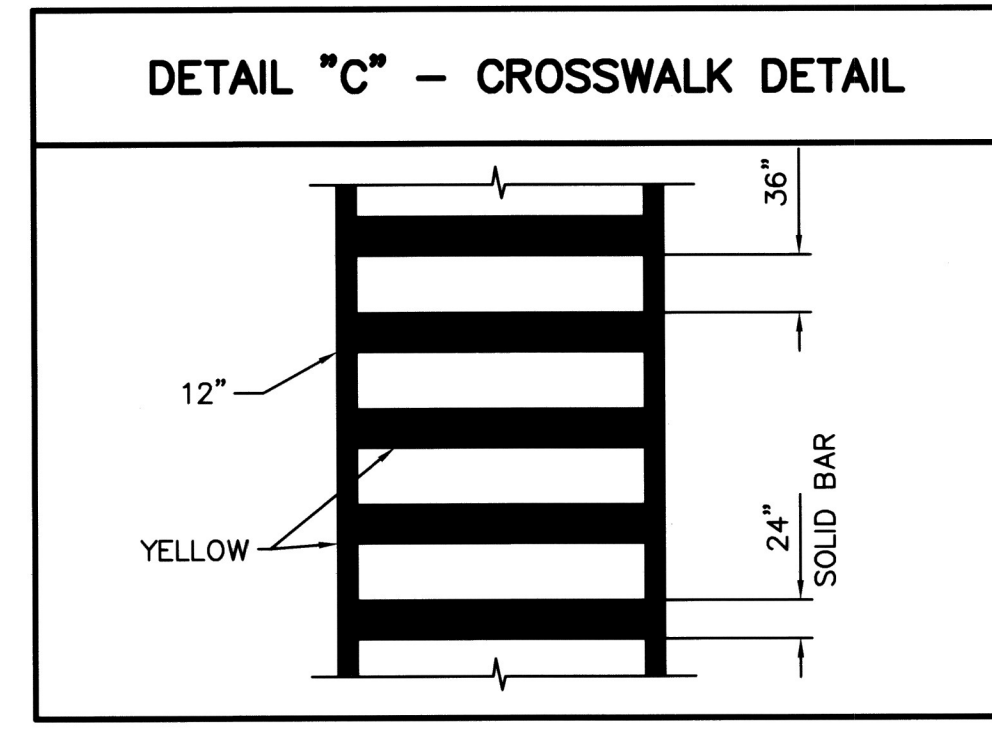
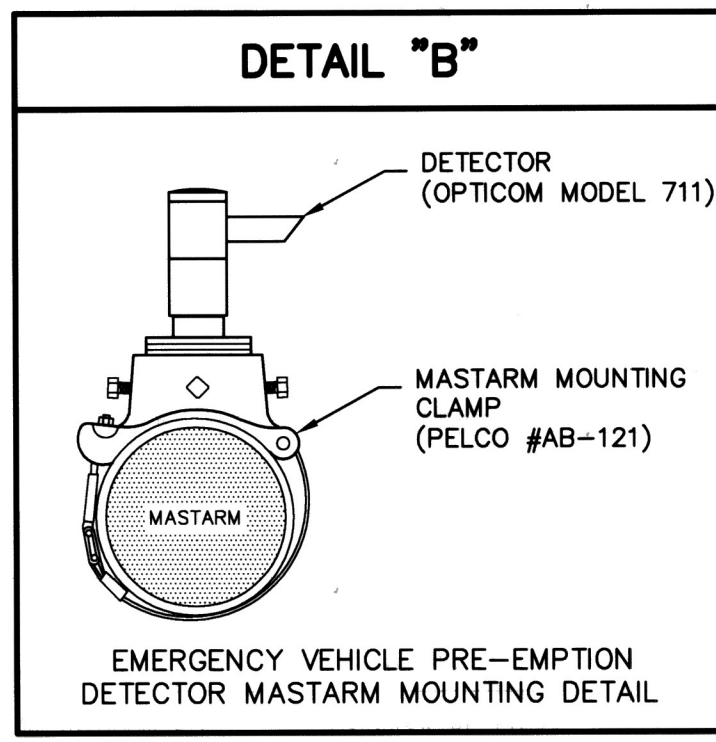


**ARLINGTON REGIONAL LEARNING CENTER**  
6511 ARLINGTON AVE



**DOVE RIDGE APARTMENTS**  
6556 ARLINGTON AVE

**ARLINGTON AVE**



**EQUIPMENT SCHEDULE**

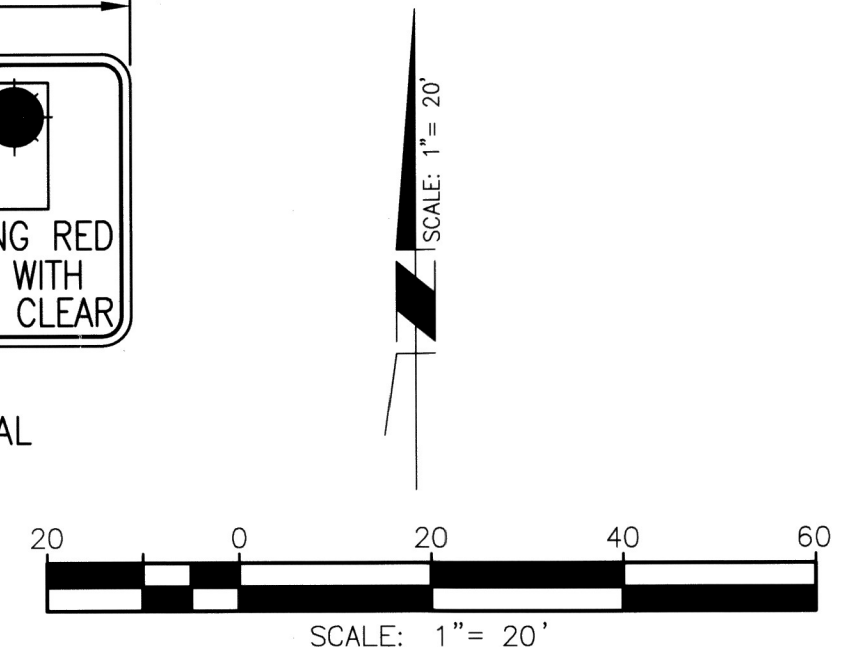
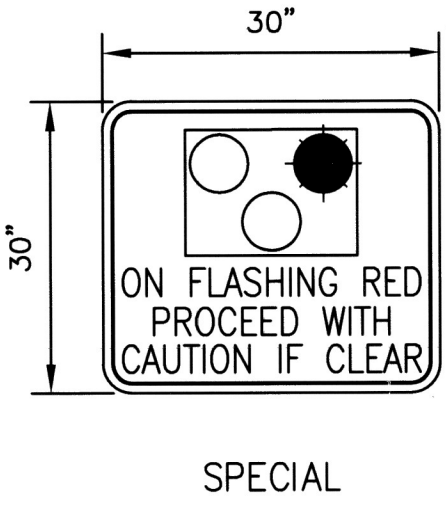
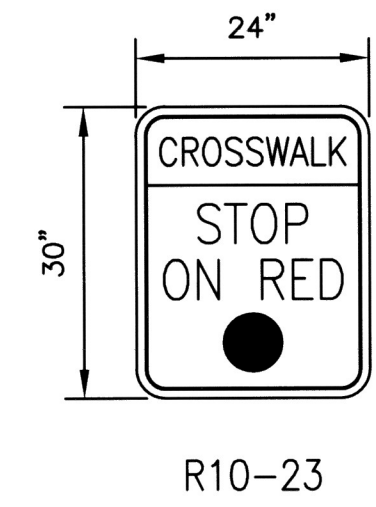
No.	TYPE	STANDARD			LUMINAIRE L.E.D.	IISNS LEGEND	SIGNAL MOUNTING			PPB PHASE	REMARKS
		HGT.	SIG. M.A.	LUM. M.A.			VEHICLE	PED			
A	26-4-100	40'	30'	15'	250W	Ped Xing	2-MAS	-	-		1
B	1A	7'	-	-	-	-	-	-	TP-1-T	ø4	
C	26-4-100	40'	30'	15'	250W	Ped Xing	2-MAS	-	-		1
D	1A	7'	-	-	-	-	-	-	TP-1-T	ø4	

- ALL VEHICULAR HEADS SHALL HAVE 12" LENSES.
- PEDESTRIAN BUTTONS SHALL BE 2-WIRE POLARA ACCESSIBLE PEDESTRIAN SIGNALS (APS)
- CONTRACTOR SHALL POTHOLE MAST ARM POLE FOUNDATIONS PRIOR TO ORDERING POLES AND MAST ARMS.
- ALL PEDESTRIAN HEADS SHALL BE LED COUNTDOWN HEADS.
- I.I.S.N.S. SHALL BE FLORESCENT YELLOW BACKGROUND WITH BLACK LETTERING (UPPER AND LOWER CASE).

**CONDUCTOR TABLE**

CONTROL FUNCTION	CONDUCTORS	CONDUCTOR RUNS				
		1	2	3	4	5
VEHICLE & PEDESTRIAN HEADS, PEDESTRIAN PUSH BUTTONS, SPARES & COMMONS	12 CSC 3 CSC	1	2	1	2	4
I.I.S.N.S.	#12	2	2		2	
LUMINAIRES	#8	2	2		2	
SIGNAL SERVICE	#6					2
VEHICLE PREEMPTION	#20/3	1	1		1	2
MULTI-POINT RADIO	CAT-5	1	1			1
CONDUIT SIZE		3"	3"	3"	3"	3"

ALL CONDUITS AND CABLES SHALL BE NEW



Under Ground Service Alert of Southern California  
Call: TOLL FREE 1-800-227-2600  
TWO WORKING DAYS BEFORE YOU DIG

**ENGINEER IN RESPONSIBLE CHARGE**  
GILBERT M. HERNANDEZ  
R.C.E. No. 69170 EXPIRES 6-30-18  
DATE: 3-6-18

REGISTERED PROFESSIONAL ENGINEER  
GILBERT M. HERNANDEZ  
No. 69170 Exp. 06-30-18  
CIVIL  
STATE OF CALIFORNIA

MARK	REVISIONS	APPR.	DATE

DESIGNED BY: CG DRAWN BY: CG CHECKED BY: GMH

**CITY OF RIVERSIDE, CALIFORNIA**  
**DEPARTMENT OF PUBLIC WORKS**

APPROVED BY	BY	DATE	APPROVED BY
ENGINEERING MANAGER	Fm	3/8/18	CITY ENGINEER
PRINCIPAL ENGINEER			
TRAFFIC DIVISION			
CONSTRUCTION ADMIN.	DL	3/14/18	DATE: 3/12/18
PUBLIC UTILITIES			

**TRAFFIC SIGNAL PLAN**  
**6511 ARLINGTON AVE**  
SCALE: 1" = 20'

**X-5578**  
SHEET 1 OF 1  
FILE NAME: X557.DWG