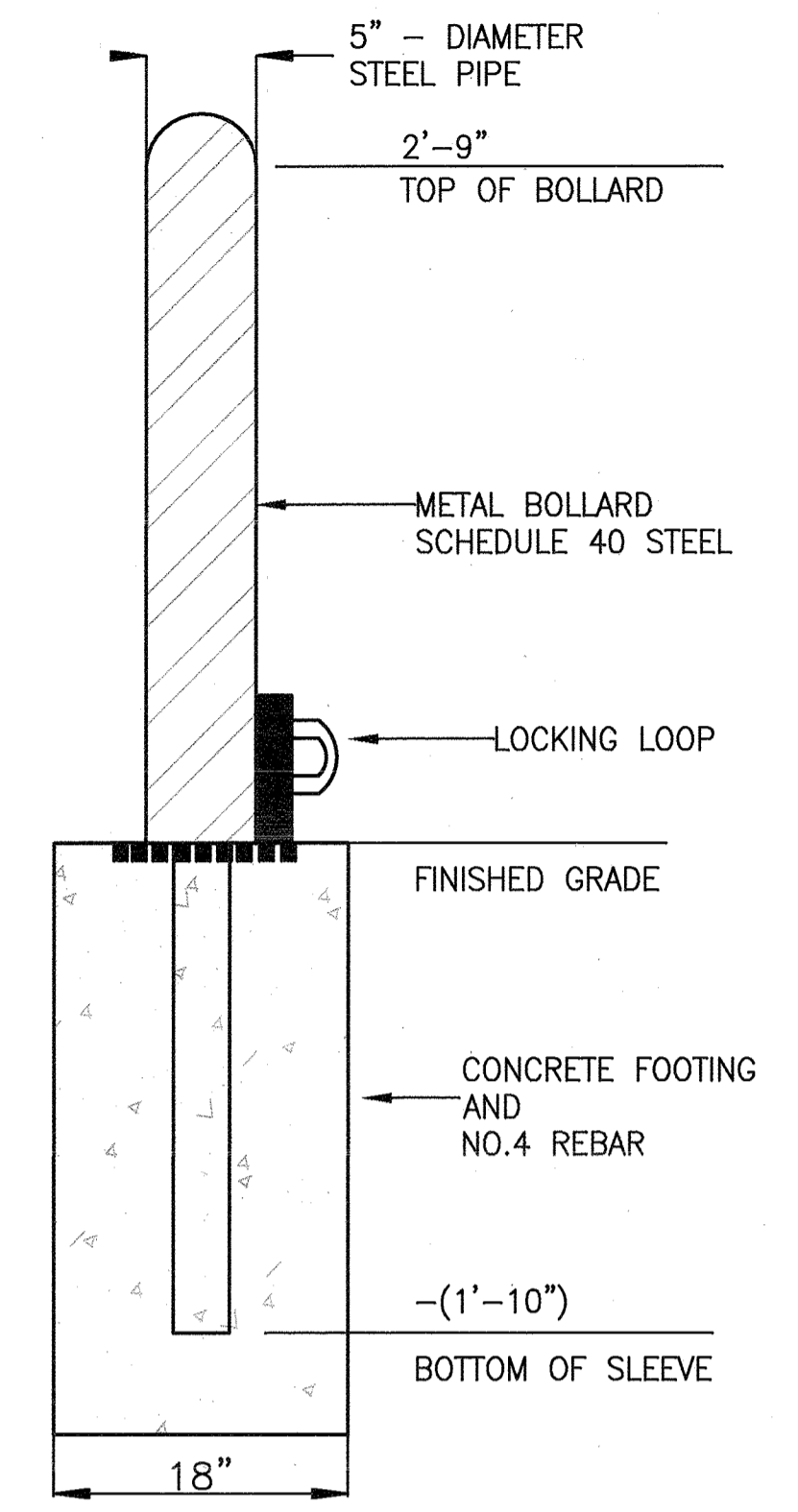
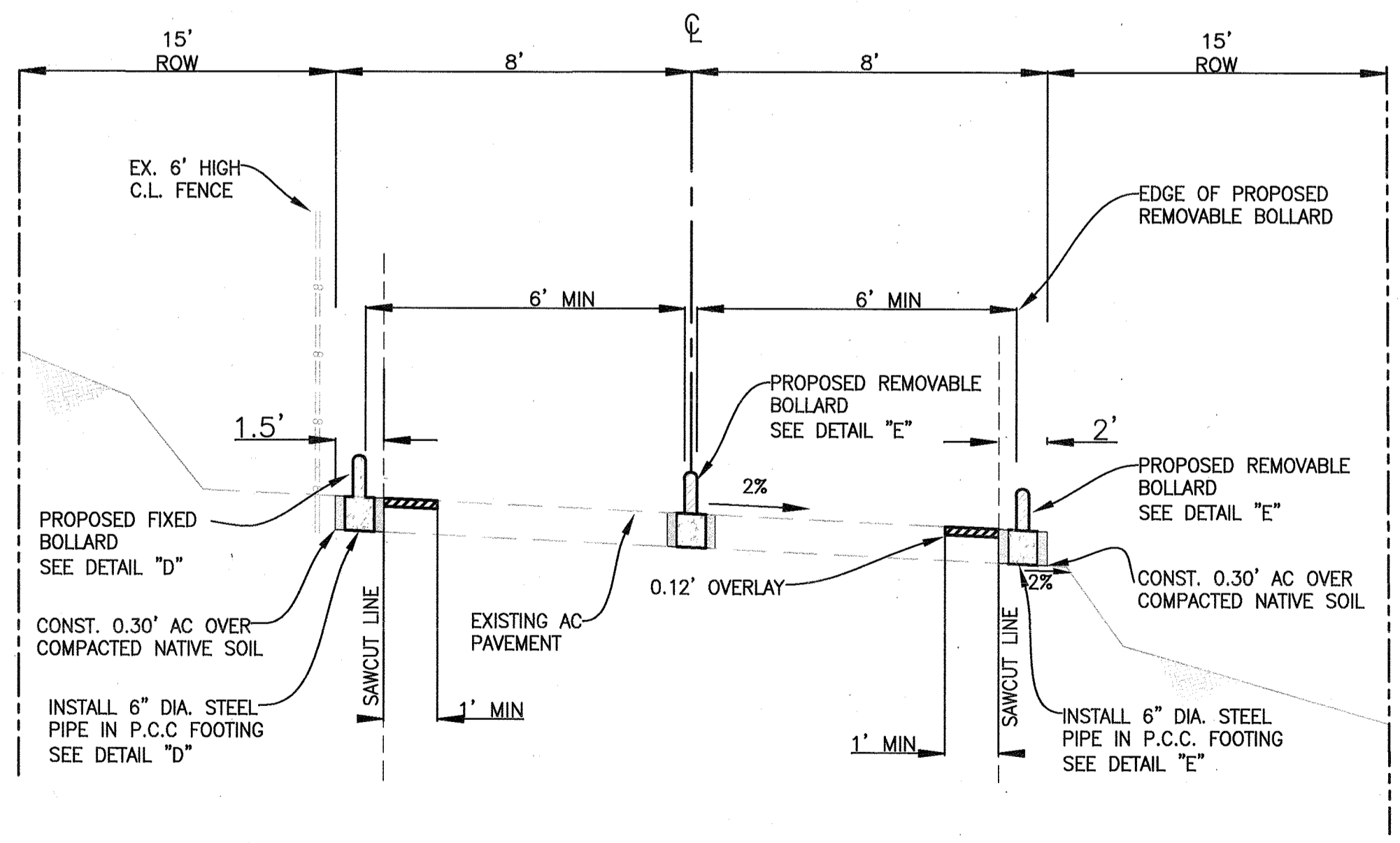


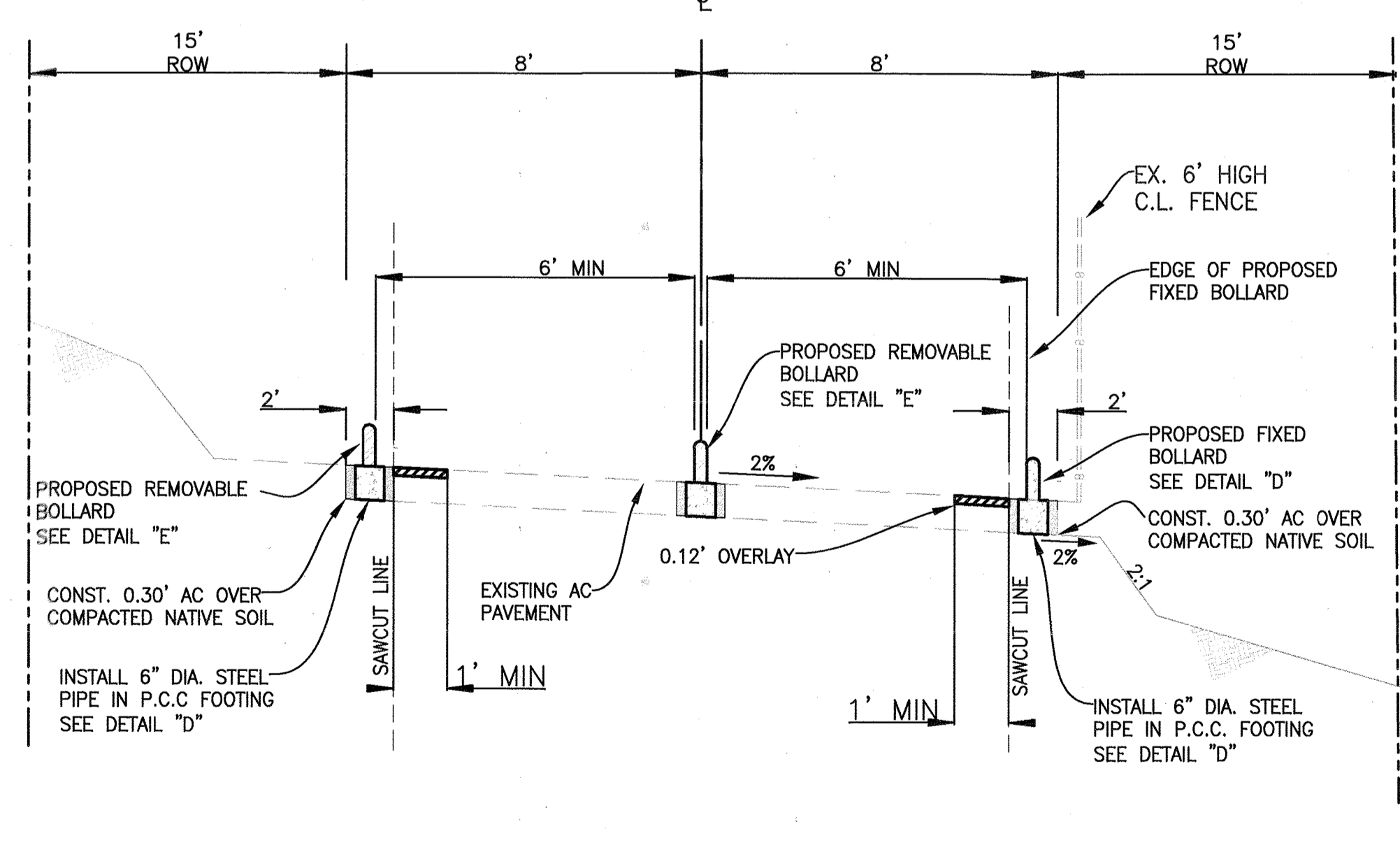
**DETAIL - D -  
FIXED BOLLARD**  
NOT TO SCALE



**DETAIL - E -  
REMOVABLE BOLLARD**  
NOT TO SCALE



**SECTION A - A**  
NOT TO SCALE

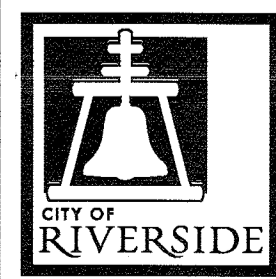


**SECTION B - B**  
NOT TO SCALE

**LEGEND:**

|  |                        |  |                          |
|--|------------------------|--|--------------------------|
|  | PROPOSED PCC           |  | PROPOSED STEEL BOLLARD   |
|  | PROPOSED A.C. PAVEMENT |  | SAWCUT + GRIND + OVERLAY |

Under Ground Service Alert of Southern California  
Call: TOLL FREE 1-800-227-2600  
TWO WORKING DAYS BEFORE YOU DIG



**ENGINEER IN RESPONSIBLE CHARGE**  
NATHAN T. MUSTAFA  
R.C.E. No. 83654 EXPIRES: 3-31-23  
DATE 11/10/21



| MARK | REVISIONS | APPR. | DATE |
|------|-----------|-------|------|
|      |           |       |      |

DESIGNED BY: NM DRAWN BY: VP CHECKED BY: NM

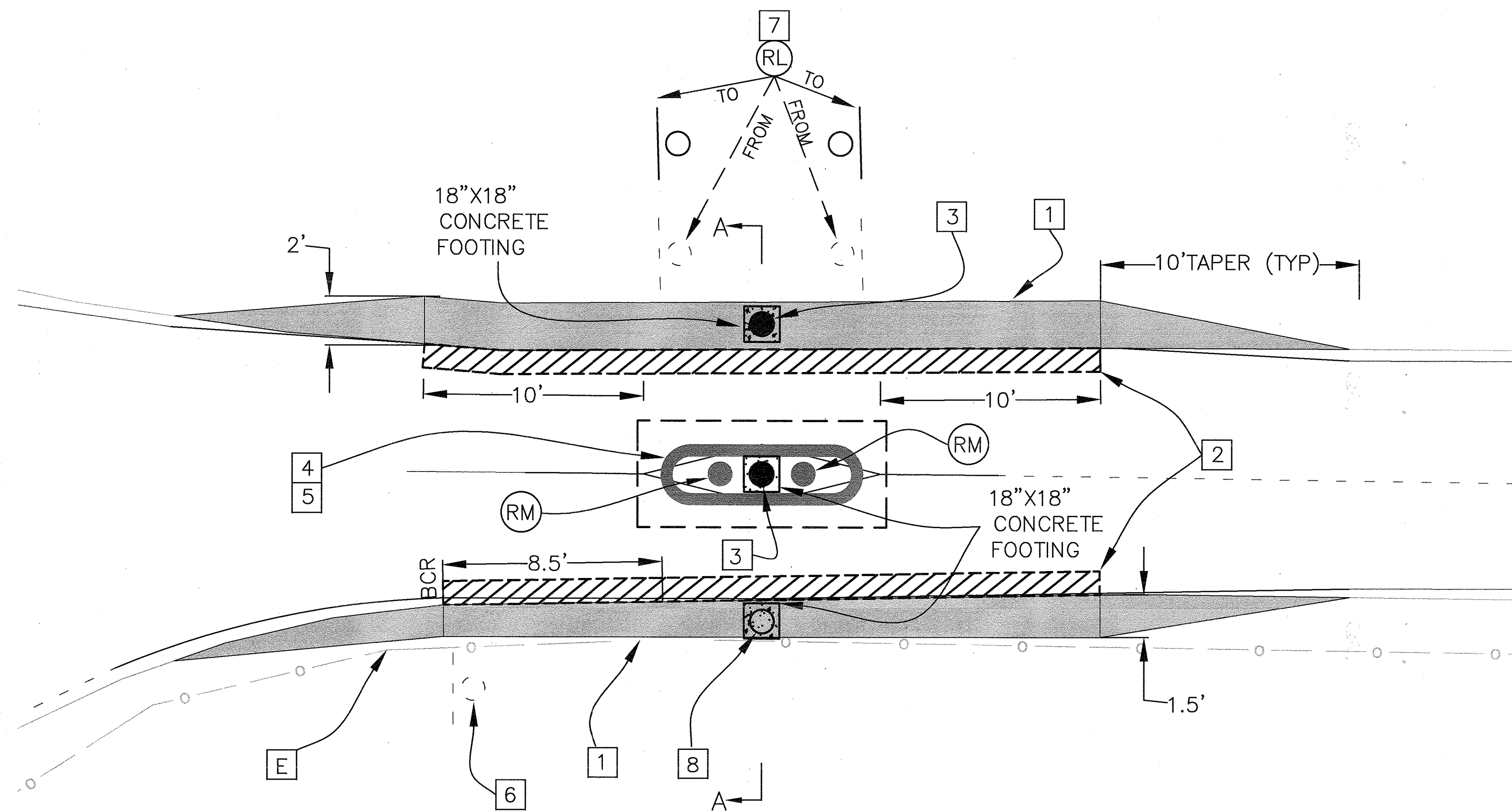
**CITY OF RIVERSIDE, CALIFORNIA  
DEPARTMENT OF PUBLIC WORKS**

|                     |    |          |               |
|---------------------|----|----------|---------------|
| APPROVED BY         | BY | DATE     | APPROVED BY   |
| ENGINEERING MANAGER |    |          | CITY ENGINEER |
| PRINCIPAL ENGINEER  |    |          |               |
| TRAFFIC DIVISION    |    | 11/18/21 |               |
| CONSTRUCTION ADMIN. |    |          |               |
| PUBLIC UTILITIES    |    |          |               |

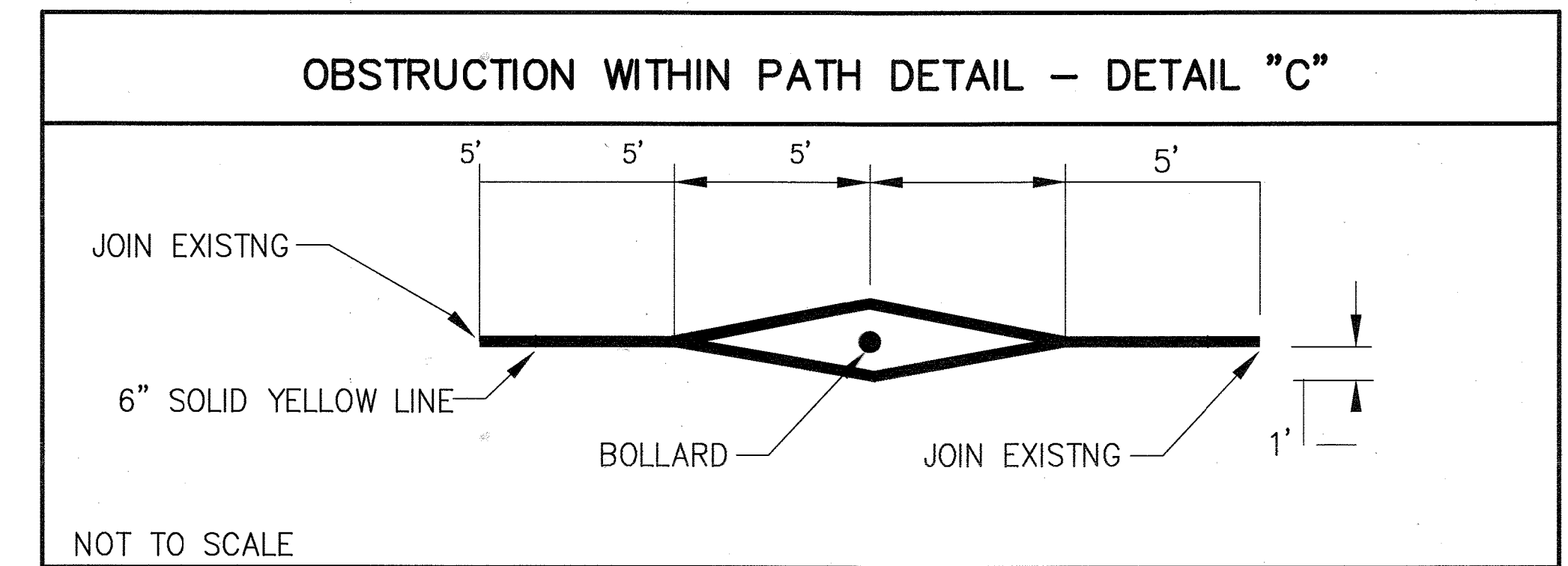
DATE: Nov. 15, 2021

**SIGNING AND STRIPING PLAN**  
SANTA ANA RIVER TRAIL  
BOLLARDS PROJECT -2

**XL-810 A**  
SHEET 1 OF 3  
FILE NAME: XL-810A.DWG



DETAIL - A  
NOT TO SCALE



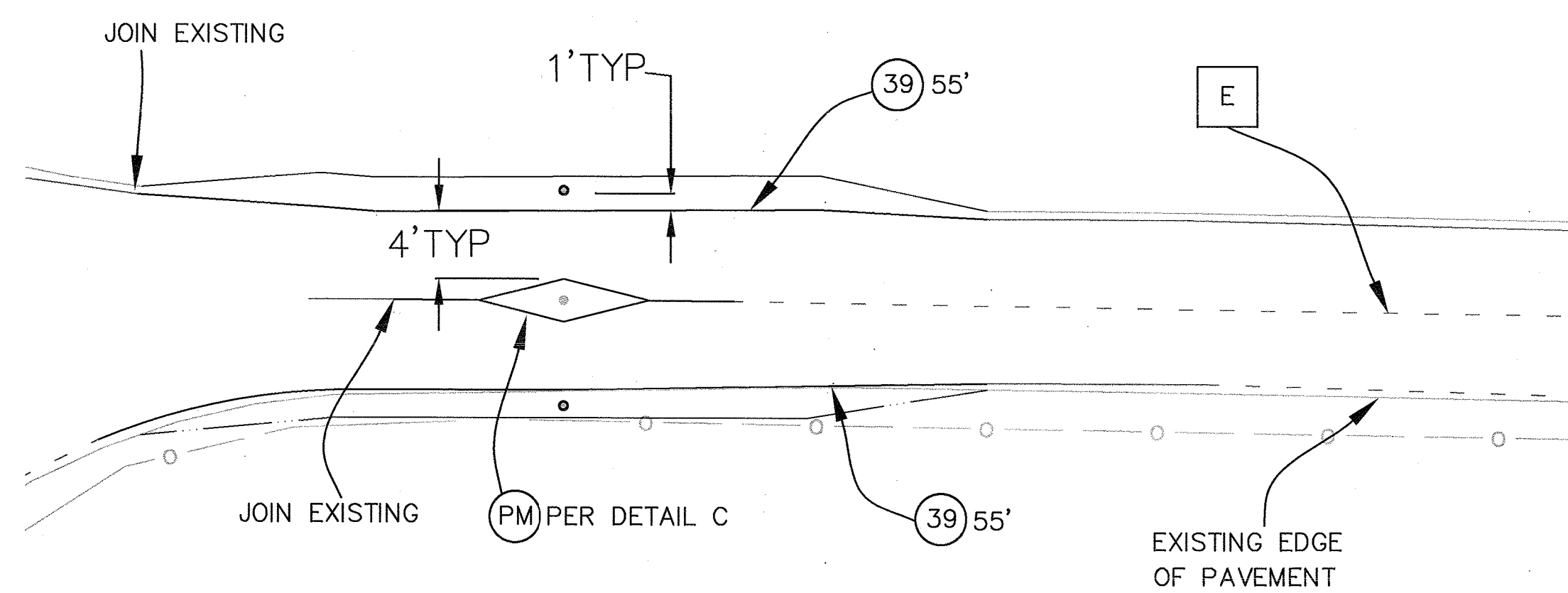
DETAIL - C  
NOT TO SCALE

**SIGNING AND STRIPING LEGEND**

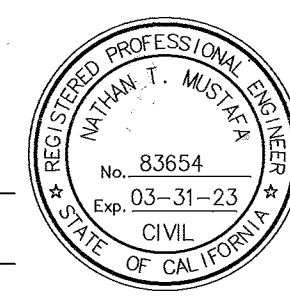
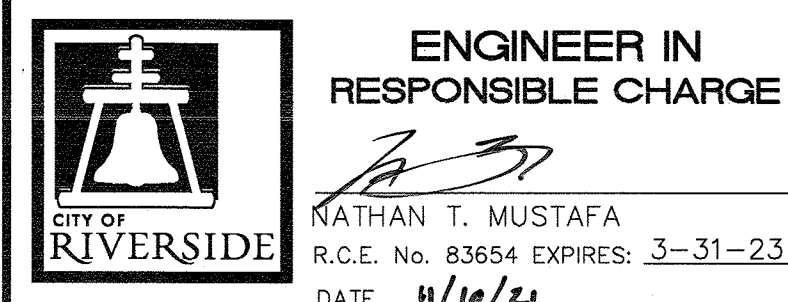
- [E] EXISTING TO REMAIN
- # INSTALL CALTRANS STRIPING DETAIL PER NUMBER NOTED.
- ⊙ EXISTING SIGN (ONE POST)
- ⊙ (RL) RELOCATE EXISTING SIGN(S) WITH POST
- (RM) REMOVE AND SALVAGE EXISTING BOLLARD(S)
- (PM) INSTALL PAVEMENT MARKING OR ARROW

**CONSTRUCTION NOTES:**

- 1 REPLACE & CONSTRUCT FULL DEPTH A.C. (DIMENSIONS PER PLAN), SEE SECTION "A-A"
- 2 SAWCUT & REMOVE PORTION OF EXISTING PAVEMENT (2' WIDE), SEE SECTION "A-A"
- 3 INSTALL CITY FURNISHED REMOVABLE STEEL BOLLARDS. MAINTAIN MIN. 5' DISTANCE BETWEEN BOLLARD ON CENTERLINE TO BOLLARDS ON PERIMETER ON TRAIL (FACE TO FACE)
- 4 SAWCUT & REMOVE EXISTING RAISED MEDIAN & REPLACE WITH PAINTED MEDIAN PER "DETAIL-C"
- 5 GRIND EXIST. A.C. AND OVERLAY (0.12" MIN.) PER PLAN. ENSURE PAVEMENT ALSO REPLACED IN THE REMOVED MEDIAN AREA
- 6 PROTECT IN PLACE
- 7 MAINTAIN 14' DISTANCE BETWEEN RELOCATED SIGN AND FACE OF FIXED CONCRETE BOLLARD ON OPPOSITE SIDE OF BIKEWAY
- 8 INSTALL CITY FURNISHED FIXED CONCRETE BOLLARDS. MAINTAIN MIN. 5' DISTANCE BETWEEN ADJACENT BOLLARD FACES.



PROPOSED STRIPING  
NOT TO SCALE

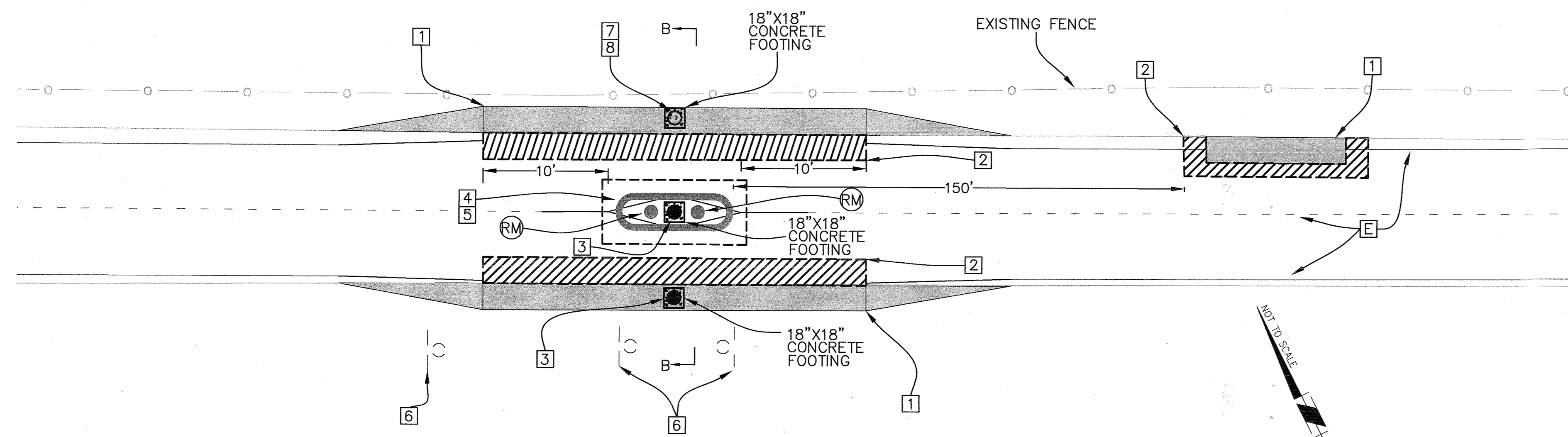


| MARK | REVISIONS | APPR. | DATE |
|------|-----------|-------|------|
|      |           |       |      |
|      |           |       |      |

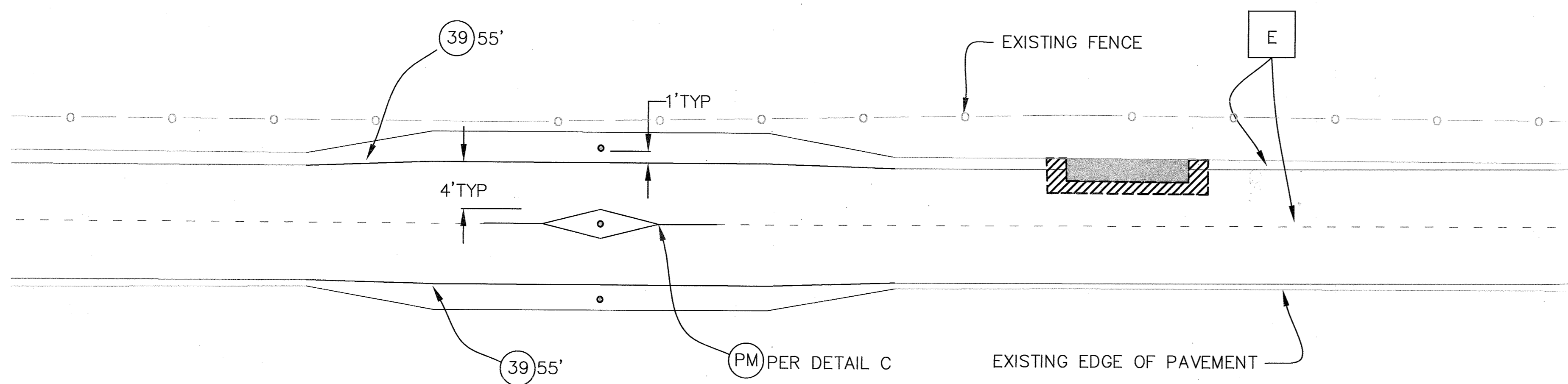
| CITY OF RIVERSIDE, CALIFORNIA<br>DEPARTMENT OF PUBLIC WORKS |    |          |             |
|---|----|----------|-------------|
| APPROVED BY   | BY | DATE     | APPROVED BY |
| ENGINEERING MANAGER   |    |          |             |
| PRINCIPAL ENGINEER  |    |          |             |
| TRAFFIC DIVISION  |    | 11/12/21 |             |
| CONSTRUCTION ADMIN.   |    |          |             |
| PUBLIC UTILITIES  |    |          |             |

| SIGNING AND STRIPING PLAN                    |  |
|--|--|
| SANTA ANA RIVER TRAIL<br>BOLLARDS PROJECT -2 |  |

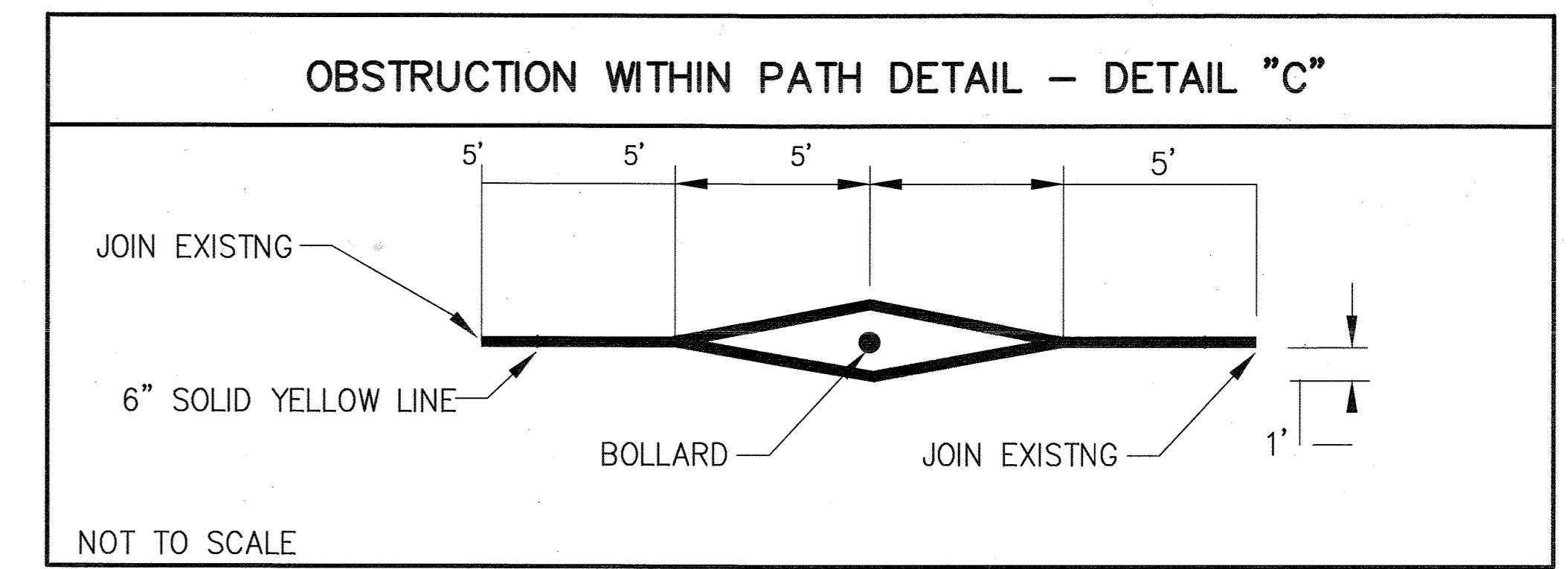
|                        |
|------------------------|
| XL-810 A               |
| SHEET 2 OF 3           |
| FILE NAME: XL-810A.DWG |



**DETAIL - B**  
NOT TO SCALE



**PROPOSED STRIPING**  
NOT TO SCALE




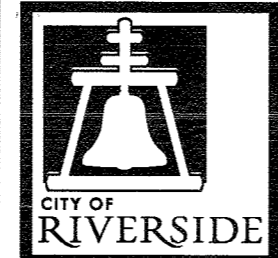

**DETAIL - C**  
NOT TO SCALE

**SIGNING AND STRIPING LEGEND**

- E EXISTING TO REMAIN
- # INSTALL CALTRANS STRIPING DETAIL PER NUMBER NOTED.
- S EXISTING SIGN (ONE POST)
- RL RELOCATE EXISTING SIGN(S) WITH POST
- RM REMOVE AND SALVAGE EXISTING BOLLARD(S)
- PM INSTALL PAVEMENT MARKING OR ARROW

**CONSTRUCTION NOTES:**

- 1 REPLACE & CONSTRUCT FULL DEPTH A.C. (DIMENSIONS PER PLAN), SEE SECTION "B-B"
- 2 SAWCUT & REMOVE PORTION OF EXISTING PAVEMENT (2' WIDE) AND REPLACE EXISTING AC PAVEMENT STRUCTURAL SECTION TO INSTALL NEW PAVEMENT
- 3 INSTALL CITY FURNISHED REMOVABLE STEEL BOLLARDS. MAINTAIN MIN. 5' DISTANCE BETWEEN BOLLARD ON CENTERLINE TO BOLLARDS ON PERIMETER ON TRAIL (FACE TO FACE)
- 4 SAWCUT & REMOVE EXISTING RAISED MEDIAN & REPLACE WITH PAINTED MEDIAN PER "DETAIL-C"
- 5 GRIND EXIST. A.C. AND OVERLAY (0.12" MIN.) PER PLAN ENSURE PAVEMENT IS REPLACED AT REMOVED MEDIAN SITE AS WELL
- 6 PROTECT IN PLACE
- 7 MAINTAIN 14' DISTANCE BETWEEN FACE OF THE PROPOSED BOLLARD AND THE EXISTING SIGN OVERHANG LOCATED ON THE OPPOSITE SIDE OF THE BIKEWAY
- 8 INSTALL CITY FURNISHED FIXED CONCRETE BOLLARDS. MAINTAIN MIN. 5' DISTANCE BETWEEN ADJACENT BOLLARD FACES.

|  |   |  |  |  |  |
|--|---|--|--|--|--|
| <br>Under Ground Service Alert<br>of Southern California<br>Call: TOLL FREE<br><b>1-800-227-2600</b><br>TWO WORKING DAYS BEFORE YOU DIG | <br><b>ENGINEER IN RESPONSIBLE CHARGE</b><br>NATHAN T. MUSTAFA<br>R.C.E. No. 83654 EXPIRES: 3-31-23<br>DATE 11/10/21 | <br>NATHAN T. MUSTAFA<br>No. 83654<br>Exp. 03-31-23<br>CIVIL<br>STATE OF CALIFORNIA | <b>CITY OF RIVERSIDE, CALIFORNIA</b><br><b>DEPARTMENT OF PUBLIC WORKS</b><br>APPROVED BY: _____ DATE: _____<br>ENGINEERING MANAGER<br>PRINCIPAL ENGINEER<br>TRAFFIC DIVISION: PN 11/12/21<br>CONSTRUCTION ADMIN.<br>PUBLIC UTILITIES | <b>SIGNING AND STRIPING PLAN</b><br>SANTA ANA RIVER TRAIL<br>BOLLARDS PROJECT 2<br>DATE: Nov. 15, 2021 | <b>XL-810A</b><br>SHEET <b>3</b> OF <b>3</b><br>FILE NAME: XL-810A.DWG |
|--|---|--|--|--|--|