

GENERAL NOTES

- SIGNING AND STRIPING INSTALLATIONS SHALL CONFORM TO THE CALIFORNIA MANUAL ON UNIFORM TRAFFIC CONTROL DEVICES (CA MUTCD), THE STATE OF CALIFORNIA DEPARTMENT OF TRANSPORTATION (CALTRANS) STANDARD PLANS AND SPECIFICATIONS DATED MAY 2006, AND ALL ADDENDUMS THERETO, AND THE CITY OF RIVERSIDE PUBLIC WORKS DEPARTMENT STANDARD DRAWINGS, CURRENT EDITION.
- FOR ADDITIONAL SIGNING SEE TRAFFIC SIGNAL PLANS X-297C, X382B AND X415B.
- ALL STRIPING, MARKING, AND LEGENDS SHALL BE REFLECTORIZED THERMOPLASTIC UNLESS OTHERWISE NOTED. THE CONTRACTOR SHALL PROVIDE AND INSTALL RAISED PAVEMENT MARKERS FOR ALL STRIPING. STRIPING, MARKINGS AND LEGENDS SHALL CONFORM TO THE LATEST CALTRANS STANDARD PLANS A20A THRU A20D AND A24A THRU A24E.
- PRIOR TO FINAL ACCEPTANCE OF STREET IMPROVEMENTS, ALL PAVEMENT STRIPING AND STENCILING WITHIN THE PERIMETER OF THE CONSTRUCTION AREA SHALL BE RESTORED TO LIKE NEW CONDITION, IN A MANNER MEETING THE APPROVAL OF THE CITY OF RIVERSIDE.
- THE CONTRACTOR SHALL RE-STRIPE EXISTING STRIPING AND CURB MARKINGS OBLITERATED BY NEW CONSTRUCTION, WHETHER OR NOT SHOWN ON THE PLANS FOR REPLACEMENT, AT NO COST TO THE CITY.
- AT LOCATIONS WHERE EXISTING PAINTED CURB IS TO BE RECONSTRUCTED, THE CONTRACTOR SHALL PAINT THE NEW CURB AS SHOWN ON THE PLANS WITHIN 10 WORKING DAYS OF CURB CONSTRUCTION OR AS DIRECTED BY ENGINEER. THE PAINT SHALL BE WATER-BASED WITH 2-YEAR GUARANTEE AGAINST COLOR FADING. PRIOR TO THE START OF CONSTRUCTION, THE CONTRACTOR SHALL SUBMIT TO THE CITY WRITTEN PROOF OF THE MANUFACTURER'S 2-YEAR GUARANTEE.
- ALL NEW STRIPING SHALL BE "CAT TRACKED" AND APPROVED BY THE ENGINEER PRIOR TO FINAL INSTALLATION. THE CONTRACTOR SHALL NOTIFY THE ENGINEER AFTER COMPLETING LAYOUT AND LEAST 3 WORKING DAYS BEFORE COMMENCING INSTALLATION OF STRIPING, MARKINGS AND MARKERS.
- TRAFFIC SIGN FACE REFLECTIVE SHEETING SHALL BE 3M "ASTM TYPE 11" OR APPROVED EQUAL WITH PROTECTIVE GRAFFITI OVERLAY FILM OR AS OTHERWISE NOTED. ALL WARNING SIGNS SHALL HAVE A FLUORESCENT YELLOW BACKGROUND AND SCHOOL SIGNS NOTED SHALL HAVE A FLUORESCENT YELLOW-GREEN BACKGROUND.
- SIGNS SHALL BE STANDARD SIZE UNLESS NOTED OTHERWISE. PRIOR TO INSTALLATION, NEW SIGNS SHALL BE APPROVED BY THE CITY OF RIVERSIDE. EXACT LOCATIONS OF SIGNS SHALL BE DETERMINED BY THE CITY ENGINEER.
- SALVAGED SIGNS AND SIGN POST SHALL BE DELIVERED TO THE CITY OF RIVERSIDE SIGN DEPARTMENT.
- STRIPING SHALL BE APPLIED WITHIN 48 HOURS OF SURFACE COURSE REPLACEMENT ON STREETS OPEN TO THE PUBLIC. IN NO CASE SHALL A NEWLY PAVED STREET OPEN TO THE PUBLIC BE LEFT UNSTRIPED OVER A WEEKEND OR A HOLIDAY.
- CONTRACTOR SHALL INSTALL NEW SIGN(S) AND/OR POST(S) PER CITY OF RIVERSIDE STANDARD DRAWING No. 666.
- ALL CONFLICTING STRIPING, PAVEMENT MARKINGS, LEGENDS, AND RAISED PAVEMENT MARKERS SHALL BE REMOVED EVEN IF NOT SHOWN ON PLANS. REMOVALS OF STRIPING, PAVEMENT MARKINGS AND LEGENDS SHALL BE DONE BY WET SAND BLASTING AND/OR GRINDING. BLACK OUT IS NOT PERMITTED. ALL DAMAGED PAVEMENT DUE TO REMOVALS SHALL BE REPAIRED AS NECESSARY TO MAINTAIN A SMOOTH AND UNIFORM SURFACE OR AS DIRECTED BY THE ENGINEER.

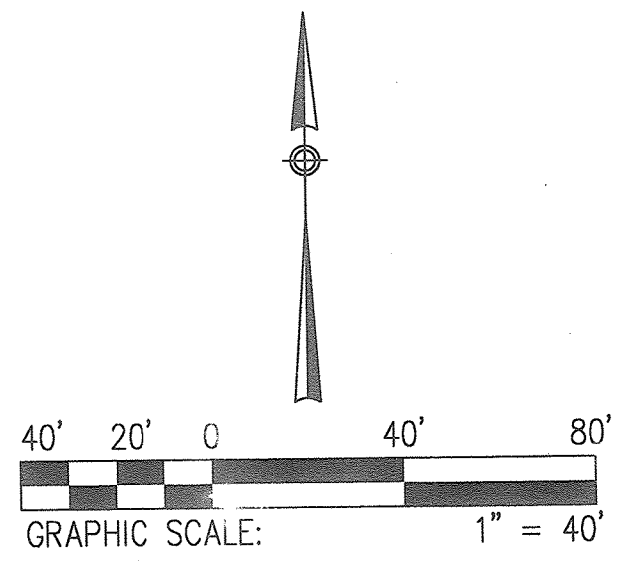
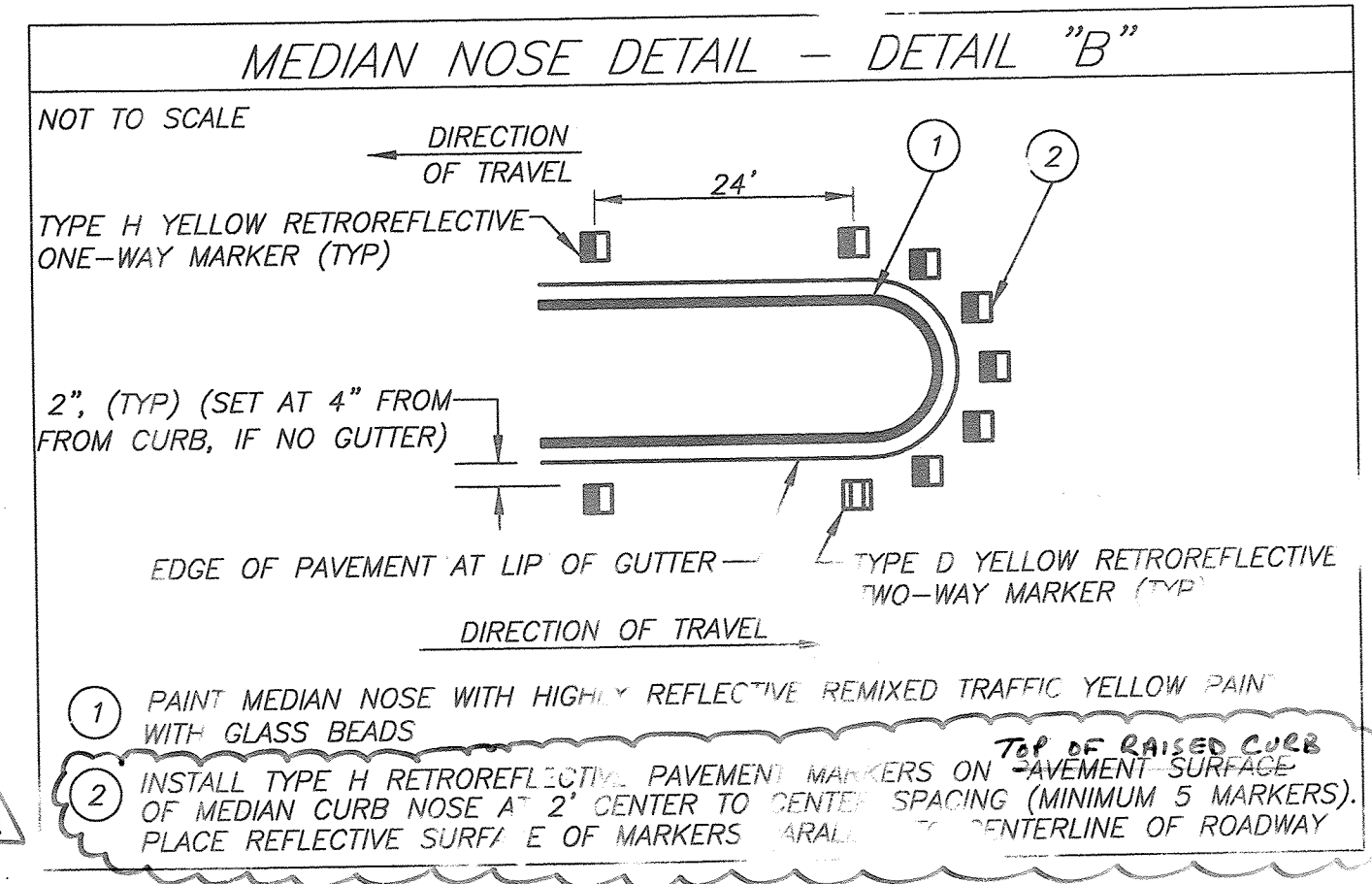
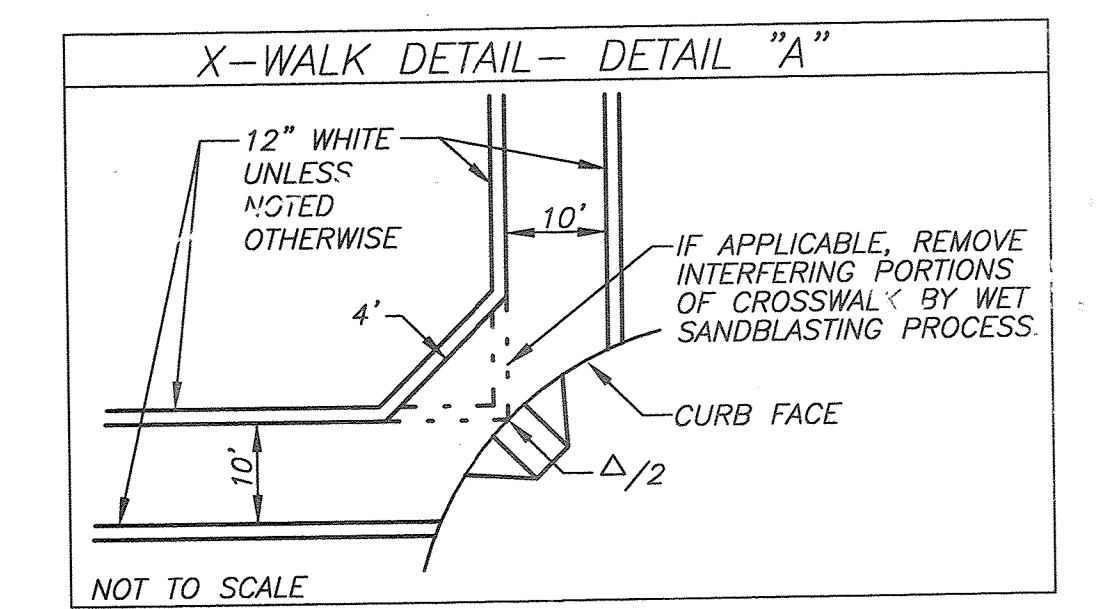
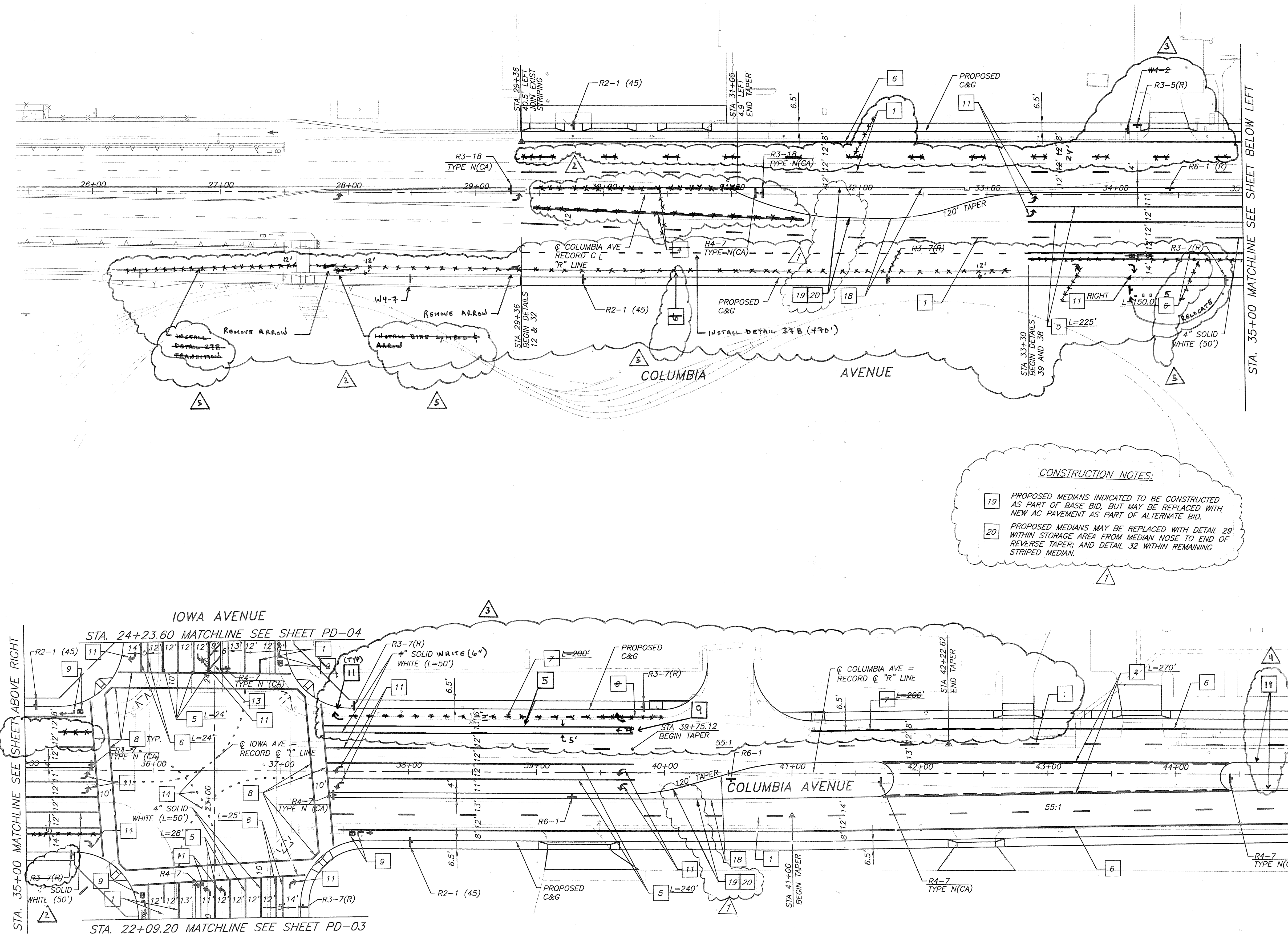
CONSTRUCTION NOTES

- | | | | |
|---|--------------------|----|--|
| 1 | INSTALL DETAIL 12 | 8 | INSTALL 12" "WHITE LINE" |
| 3 | INSTALL DETAIL 27B | 9 | INSTALL "BIKE LANE" & TYPE I ARROW SYMBOL |
| 4 | INSTALL DETAIL 32 | 11 | INSTALL TYPE IV ARROW (DIRECTION AS INDICATED) |
| 5 | INSTALL DETAIL 38 | 14 | INSTALL DETAIL 40 |
| 6 | INSTALL DETAIL 39 | 18 | INSTALL DETAIL 26-25A |
| 7 | INSTALL DETAIL 39A | | |

CONSTRUCTION NOTES:

19 PROPOSED MEDIANS INDICATED TO BE CONSTRUCTED AS PART OF BASE BID, BUT MAY BE REPLACED WITH NEW AC PAVEMENT AS PART OF ALTERNATE BID.

20 PROPOSED MEDIANS MAY BE REPLACED WITH DETAIL 29 WITHIN STORAGE AREA FROM MEDIAN NOSE TO END OF REVERSE TAPER; AND DETAIL 32 WITHIN REMAINING STRIPED MEDIAN.



CITY OF RIVERSIDE, CALIFORNIA PUBLIC WORKS DEPARTMENT

APPROVED BY: [Signature] DATE: 4/24/10
 CONST. CONTRACT ADMIN. PRINCIPAL ENGINEER
 STREET SERVICES SUPERVISOR
 TRAFFIC DIVISION PARKS DEPARTMENT

DESIGNED BY: SA. DRAWN BY: CS. CHECKED BY: C.B.

REVISIONS: REMOVE BIKE LANE & BIKE LANE SYMBOL 4/24/10
 DETAIL 26 TO DETAIL 25A, DETAIL 18 CHANGE ALL 4-24-10
 SIGNING & STRIPING CHANGES 4/15/10
 SIGNING & STRIPING CHANGES 4/15/10
 PROJECT SCOPE REDUCED 4/15/10

CITY OF RIVERSIDE COLUMBIA AVENUE AND IOWA AVENUE STREET IMPROVEMENT, OBJECT SIGNING AND STRIPING COLUMBIA AVENUE

SCALE: 1" = 40'

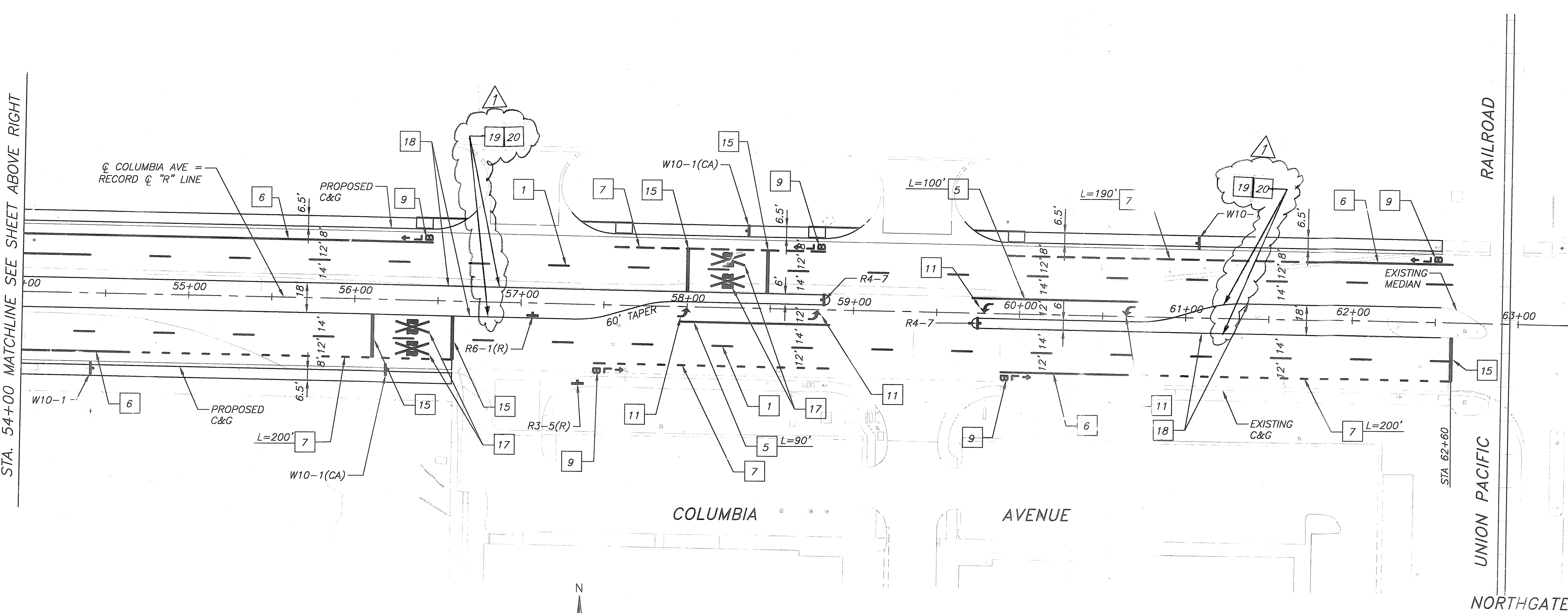
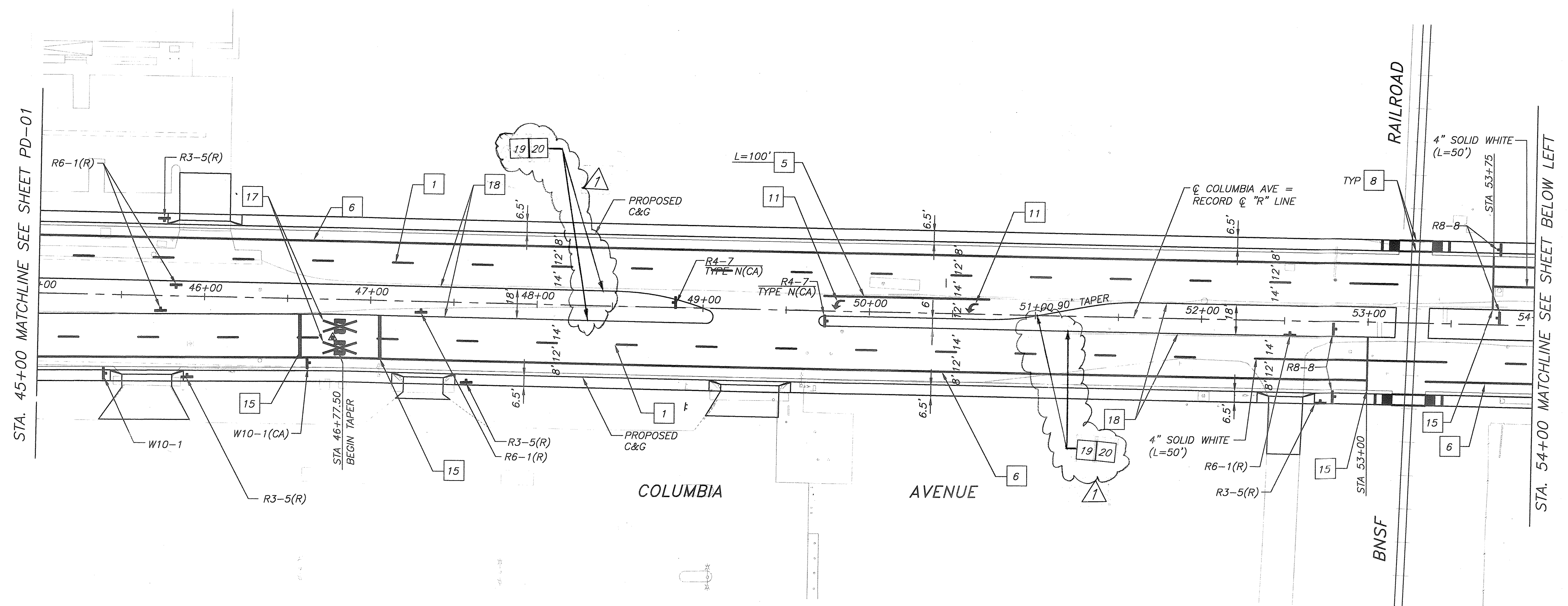
CONSTRUCTION W.O. NO. 0702989
 CONSTRUCTION W.O. NO. 0915428

573

STA. 45+00 MATCHLINE SEE SHEET PD-01

STA. 54+00 MATCHLINE SEE SHEET ABOVE RIGHT

STA. 54+00 MATCHLINE SEE SHEET BELOW LEFT



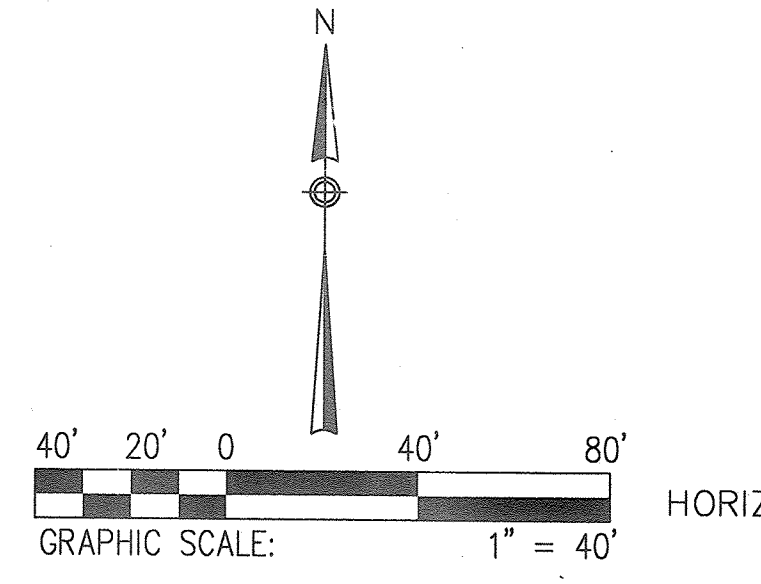
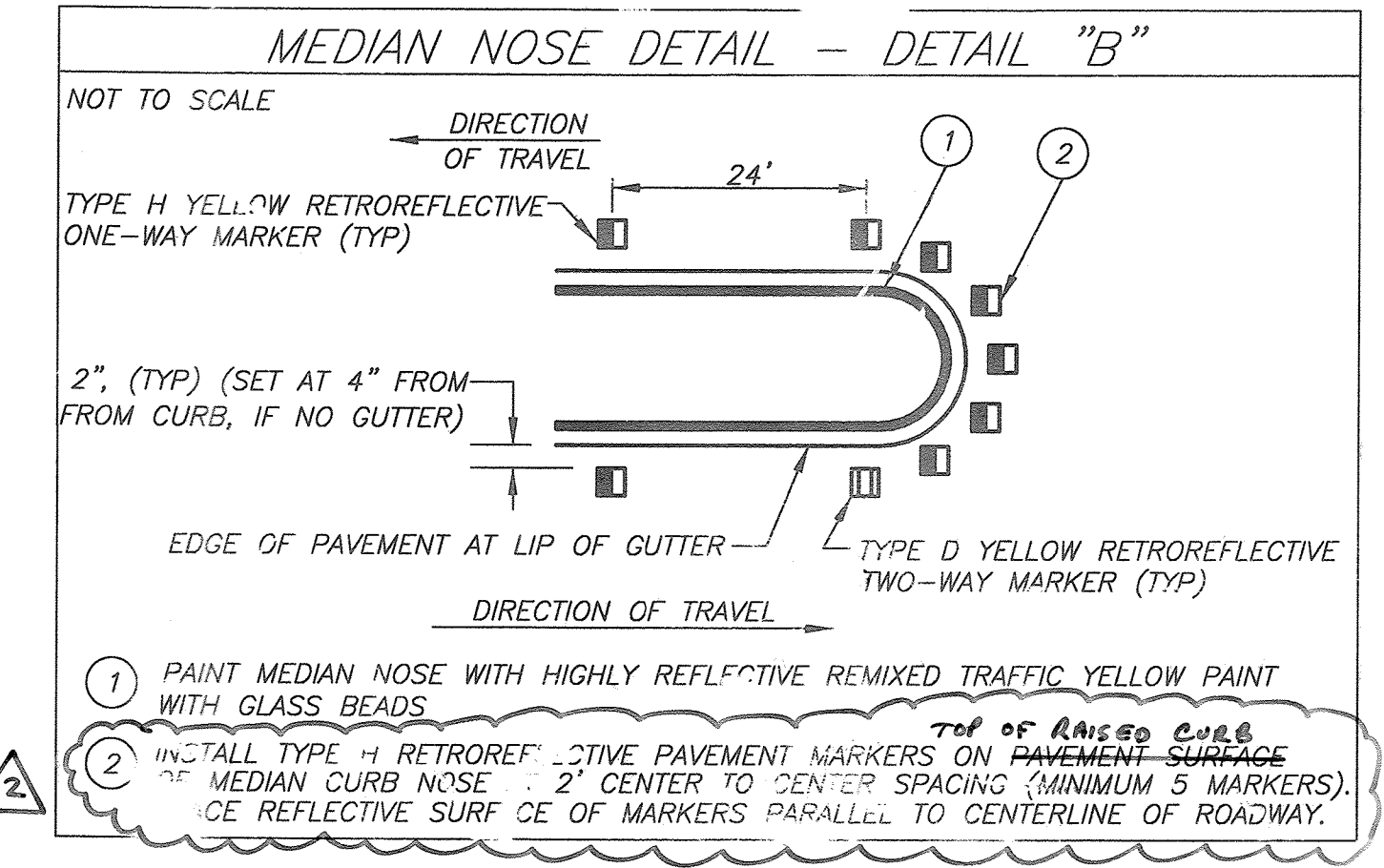
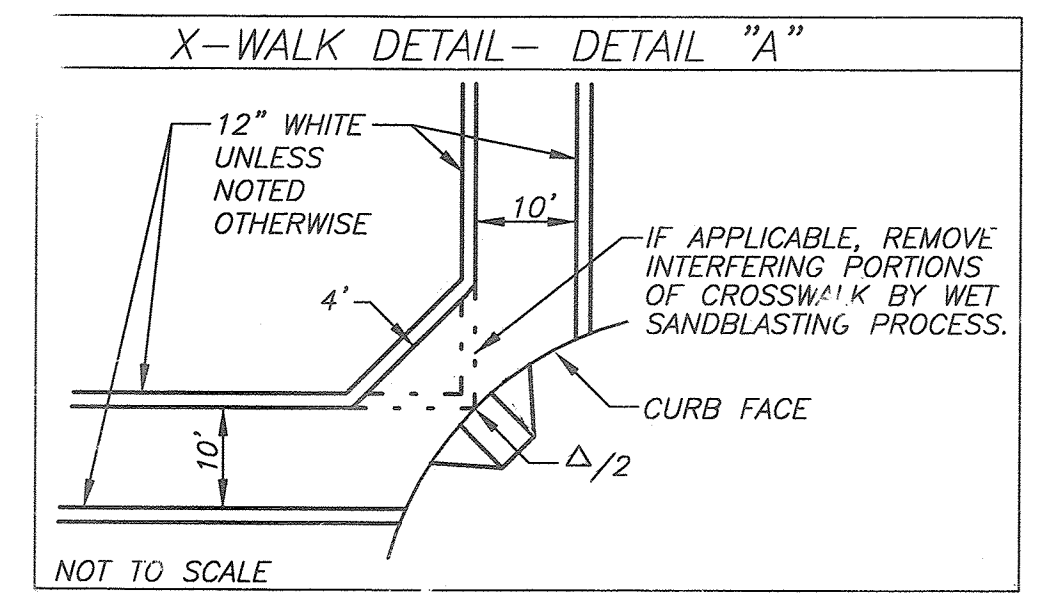
CONSTRUCTION NOTES:

19 PROPOSED MEDIANS INDICATED TO BE CONSTRUCTED AS PART OF BASE BID, BUT MAY BE REPLACED WITH NEW AC PAVEMENT AS PART OF ALTERNATE BID.

20 PROPOSED MEDIANS MAY BE REPLACED WITH DETAIL 29 WITHIN STORAGE AREA FROM MEDIAN NOSE TO END OF REVERSE TAPER, AND DETAIL 32 WITHIN REMAINING STRIPED MEDIAN.

CONSTRUCTION NOTES

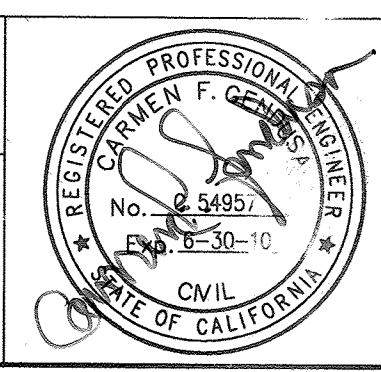
- | | | | |
|---|------------------------------------|----|--|
| 1 | INSTALL DETAIL 12 | 11 | INSTALL TYPE IV ARROW (DIRECTION AS INDICATED) |
| 5 | INSTALL DETAIL 38 | 15 | INSTALL 24" SOLID WHITE |
| 6 | INSTALL DETAIL 39 | 17 | INSTALL "R X R" |
| 8 | INSTALL 12" WHITE LINE | 18 | INSTALL DETAIL 26 25A |
| 9 | INSTALL "BIKE LANE" & TYPE I ARROW | | |



TRANSPORTATION

AECOM

AECOM TECHNICAL SERVICES, Inc.
1131 West Sixth Street, Suite 350
Ontario, CA 91762
T 909.933.5225 F 909.933.5228
www.aecom.com



DESIGNED BY SA DRAWN BY CS CHECKED BY CB

APPROVED PER SIGNATURE ON SHEET - 1

CITY OF RIVERSIDE, CALIFORNIA
PUBLIC WORKS DEPARTMENT

APPROVED BY: _____

CONTRACT ADMIN. _____

PRINCIPAL ENGINEER _____

STREET SERVICES _____

SURVEYOR _____

TRAFFIC DIVISION _____

PARKS DEPARTMENT _____

CITY OF RIVERSIDE
COLUMBIA AVENUE AND IOWA AVENUE
STREET IMPROVEMENT PROJECT
DESIGNING AND STRIPING
COLUMBIA AVENUE

DESIGN W.O. NO. 0702989
CONSTRUCTION W.O. NO. 0915428

XL-573
PD-02

36 of 76

SCALE: 1" = 40'

SUPERSEDED

SEE SHEET

XL-573A

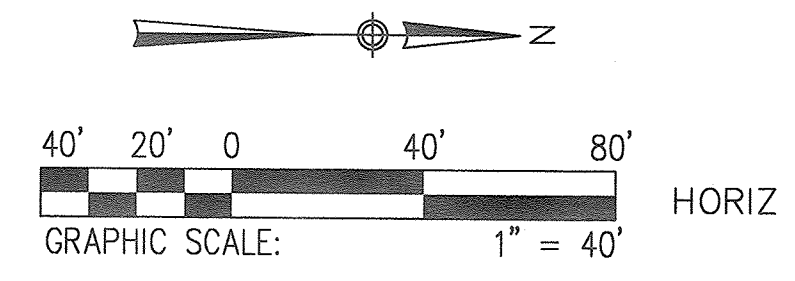
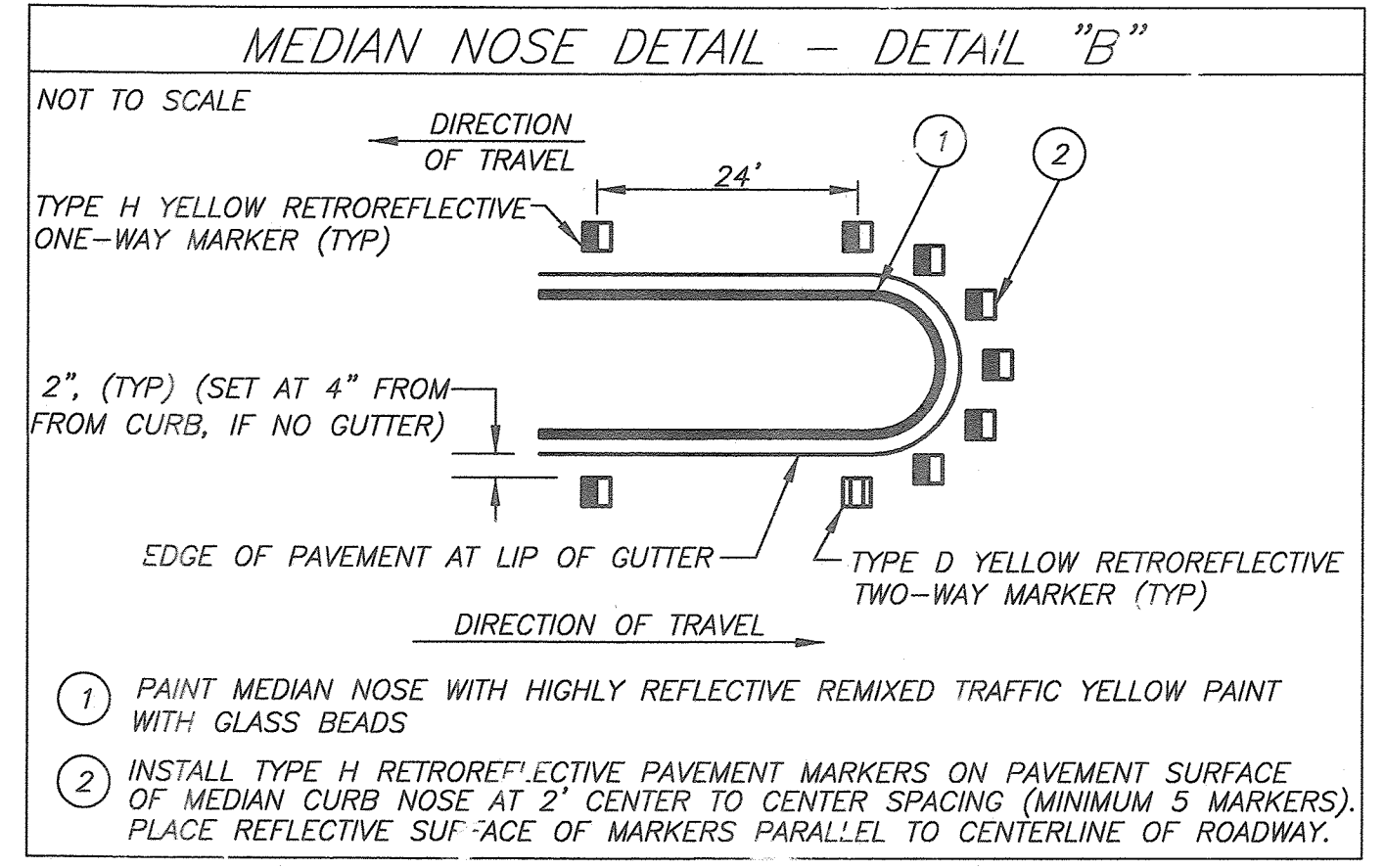
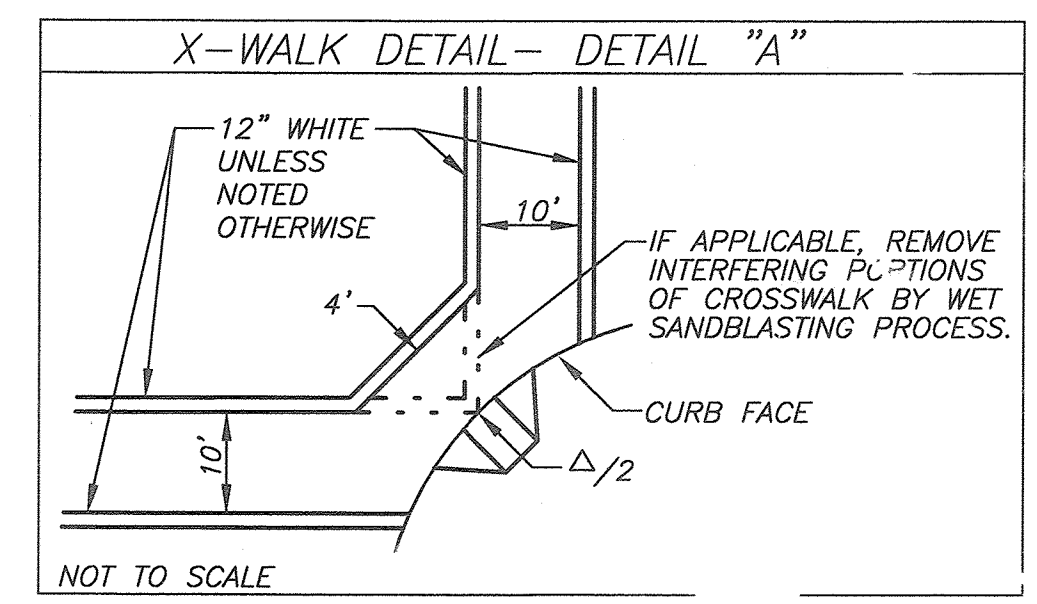


CONSTRUCTION NOTES:

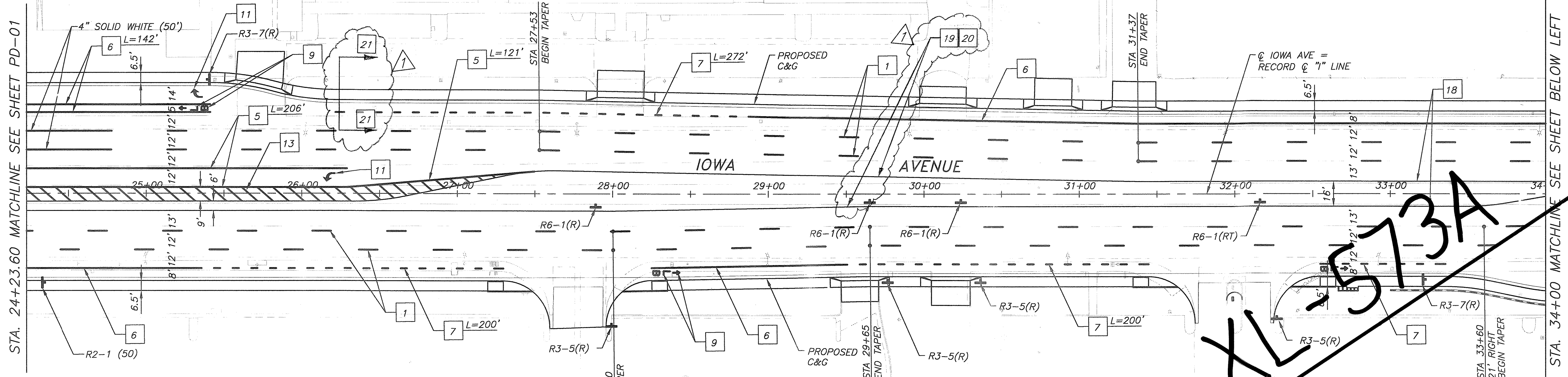
- 19 PROPOSED MEDIANS INDICATED TO BE CONSTRUCTED AS PART OF BASE BID, BUT MAY BE REPLACED WITH NEW AC PAVEMENT AS PART OF ALTERNATE BID.
- 20 PROPOSED MEDIANS MAY BE REPLACED WITH DETAIL 29 WITHIN STORAGE AREA FROM MEDIAN NOSE TO END OF REVERSE TAPER; AND DETAIL 32 WITHIN REMAINING STRIPED MEDIAN.
- 21 THE WIDENING IMPROVEMENTS ALONG THE E'LY SIDE OF IOWA AVE BETWEEN STA 15+78.41 AND 36+26.00 AS WELL AS ON THE W'LY SIDE OF IOWA AVE BETWEEN STA 26+21.70 AND 36+26.00 WILL NOT BE COMPLETED, STRIPING SHALL BE PLACED TO PROVIDE TWO THROUGH LANES, AND A BIKE LANE.

CONSTRUCTION NOTES

- | | | | |
|---|------------------------------------|----|---|
| 1 | INSTALL DETAIL 12 | 11 | INSTALL TYPE IV ARROW (DIRECTION AS INDICATED) |
| 2 | INSTALL DETAIL 29 | 12 | INSTALL (8" WHITE) CHEVRON STRIPING |
| 5 | INSTALL DETAIL 38 | 13 | INSTALL (8" YELLOW) DIAGONAL STRIPING @ 10' C-C |
| 6 | INSTALL DETAIL 39 | 15 | INSTALL DETAIL 37B |
| 7 | INSTALL DETAIL 39A | 18 | INSTALL DETAIL 26 |
| 8 | INSTALL 12" WHITE LINE | | |
| 9 | INSTALL "BIKE LANE" & TYPE I ARROW | | |



<p>TRANSPORTATION</p> <p>AECOM</p> <p>AECOM TECHNICAL SERVICES, Inc. 1131 West Sixth Street, Suite 350 Ontario, CA 91762 T 909.933.5226 F 909.933.5228 www.aecom.com</p>		<p>CITY OF RIVERSIDE, CALIFORNIA PUBLIC WORKS DEPARTMENT</p> <p>APPROVED BY: <i>[Signature]</i> DATE: <i>[Date]</i> CONST. CONTRACT ADMIN. PRINCIPAL ENGINEER STREET SERVICES</p> <p>APPROVED PER SIGNATURES ON SHEET 1 BY: NONEER</p>	<p>CITY OF RIVERSIDE COLUMBIA AVENUE AND IOWA AVENUE STREET IMPROVEMENT PROJECT SIGNING AND STRIPING IOWA AVENUE</p> <p>DESIGN W.O. NO. 0702989 CONSTRUCTION W.O. NO. 0915428</p> <p style="font-size: 24pt; font-weight: bold;">XL-573</p> <p style="font-size: 24pt; font-weight: bold;">PD-03</p> <p>SHEET 37 OF 76</p> <p style="text-align: center;">SCALE: 1" = 40'</p>
---	--	--	--

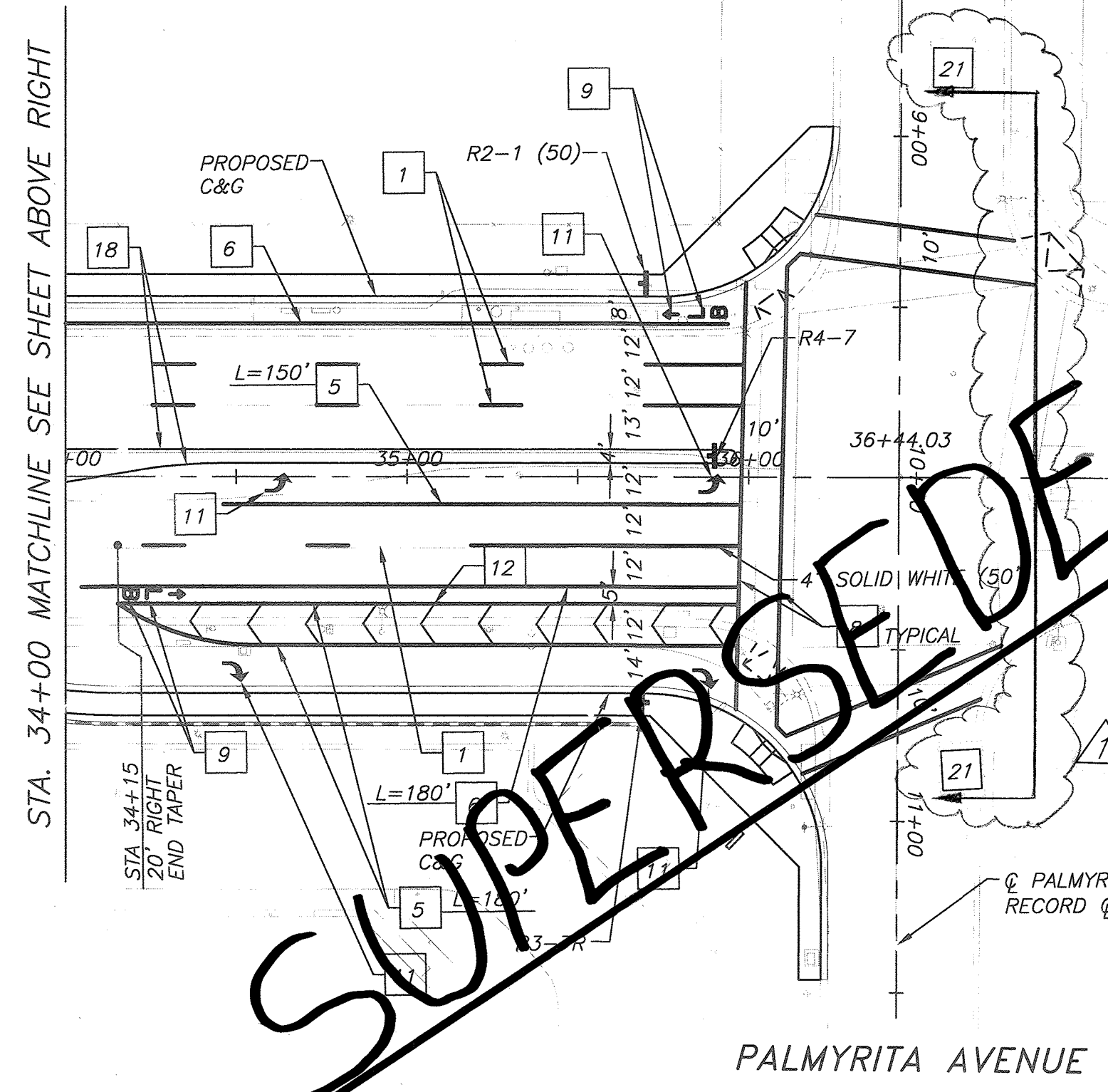


CONSTRUCTION NOTES:

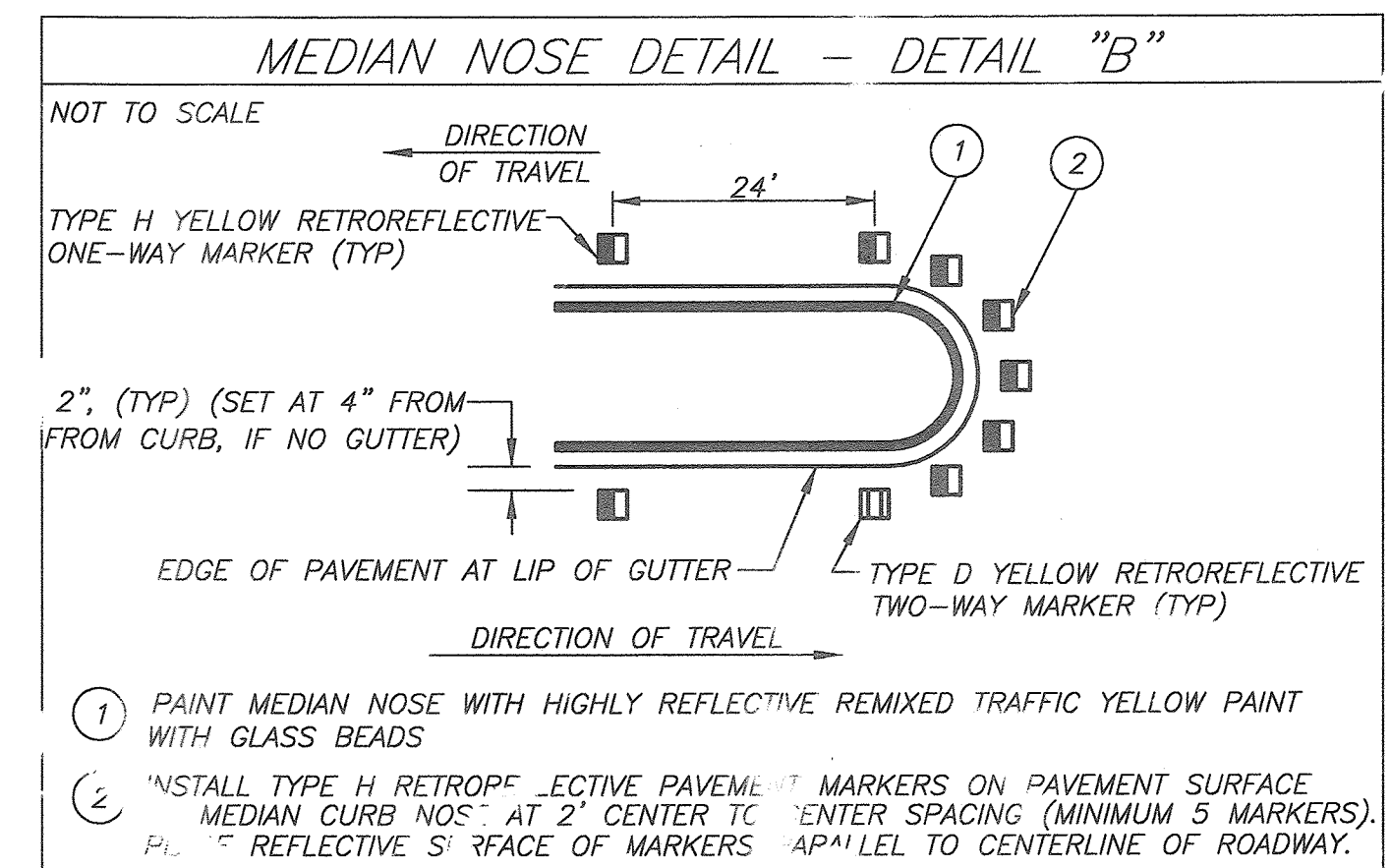
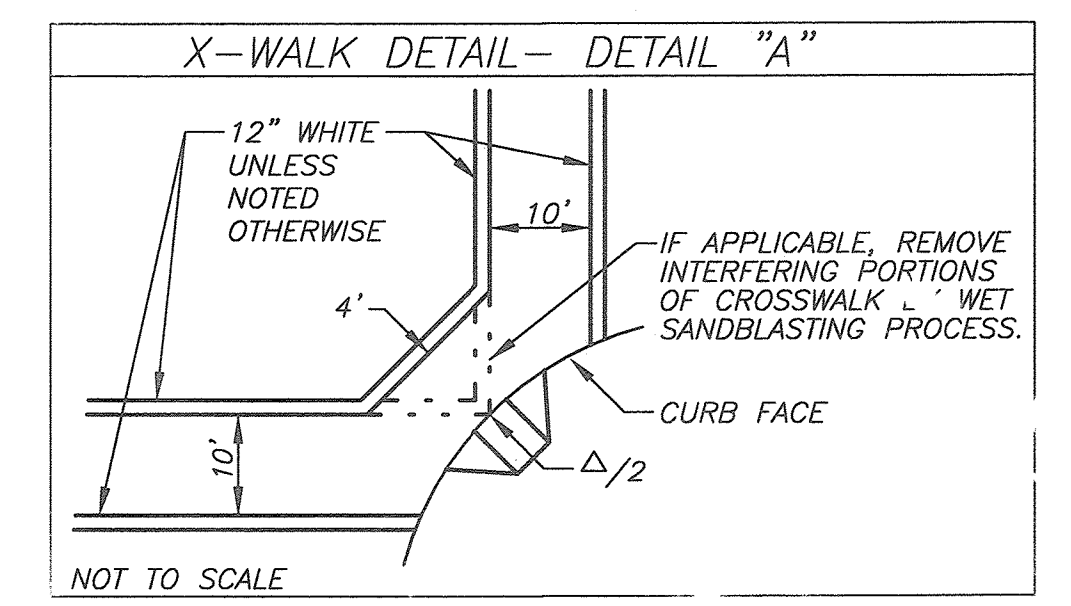
19 PROPOSED MEDIANS INDICATED TO BE CONSTRUCTED AS PART OF BASE BID, BUT MAY BE REPLACED WITH NEW AC PAVEMENT AS PART OF ALTERNATE BID.

20 PROPOSED MEDIANS MAY BE REPLACED WITH DETAIL 29 WITHIN STORAGE AREA FROM MEDIAN NOSE TO END OF REVERSE TAPER, AND DETAIL 32 WITHIN REMAINING STRIPED MEDIAN.

21 THE WIDENING IMPROVEMENTS ALONG THE E'LY SIDE OF IOWA AVE BETWEEN STA 15+78.41 AND 36+26.00 AS WELL AS ON THE W'LY SIDE OF IOWA AVE BETWEEN STA 26+21.70 AND 36+26.00 WILL NOT BE COMPLETED. STRIPING SHALL BE PLACED TO PROVIDE TWO THROUGH LANES AND A BIKE LANE.



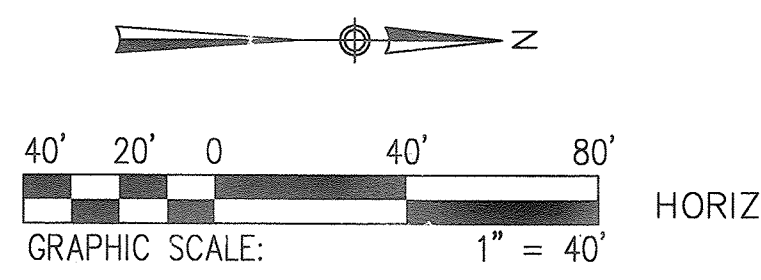
- CONSTRUCTION NOTES**
- | | | | |
|---|------------------------|----|--|
| 1 | INSTALL DETAIL 12 | 9 | INSTALL "BIKE LANE" & TYPE I ARROW |
| 5 | INSTALL DETAIL 38 | 11 | INSTALL TYPE IV ARROW (DIRECTION AS INDICATED) |
| 6 | INSTALL DETAIL 39 | 12 | INSTALL (8" WHITE) CHEVRON STRIPING @ 10' C-C |
| 7 | INSTALL DETAIL 39A | 13 | INSTALL (8" WHITE) DIAGON'L STRIPING @ 10' C-C |
| 8 | INSTALL 12" WHITE LINE | 18 | INSTALL DETAIL 26 |



SUPERSEDED

SEE SHEET

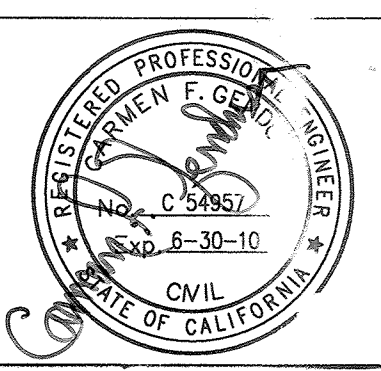
XL-573A



TRANSPORTATION

AECOM

AECOM TECHNICAL SERVICES, Inc.
1131 West Sixth Street, Suite 350
Ontario, CA 91762
T 909.933.5225 F 909.933.5228 www.aecom.com



PROJECT SCOPE REDUCED

DESIGNED BY S.A. DRAWN BY C.S. CHECKED BY C.B.

CITY OF RIVERSIDE, CALIFORNIA
PUBLIC WORKS DEPARTMENT

APPROVED PER SIGNATURE ON SHEET - 1

CITY OF RIVERSIDE
COLUMBIA AVENUE AND IOWA AVENUE
STREET IMPROVEMENT PROJECT
SIGNING AND STRIPING
IOWA AVENUE

DESIGN W.O. NO. 0702989
CONSTRUCTION W.O. NO. 0915428

XL-573
PD-4

SCALE: 1" = 40'

38 OF 76