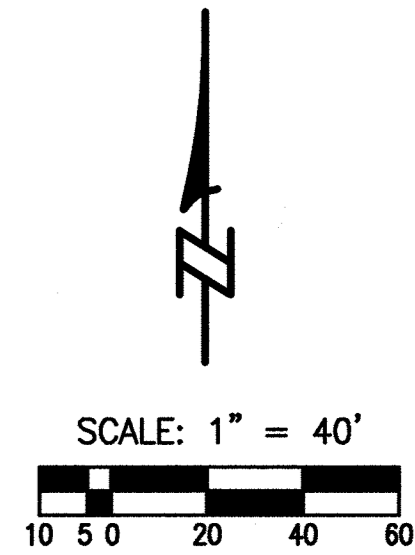


**CONSTRUCTION NOTES:**

(E)	EXISTING SIGN TO REMAIN.
(IS)	INSTALL TRAFFIC SIGN, PER CALTRANS STANDARDS.
(PM)	INSTALL THERMOPLASTIC PAVEMENT MARKING PER CALTRANS STANDARDS.
(RL)	RELOCATE SIGN AND POST.
(RS)	REMOVE AND SALVAGE SIGN AND POST.
(TX)	INSTALL 12" SOLID WHITE THERMOPLASTIC MARKING. (10' BETWEEN 12" STRIPES)
(XX)	SANDBLAST CONFLICTING STRIPING. REMOVE EXISTING CONFLICTING REFLECTIVE PAVEMENT MARKINGS.
(PB)	PAINT 8" WHITE SOLID CHEVRON STRIPE @ 45' 10' O/C.
(12)	PAINT 4" WHITE LANE STRIPE - DETAIL 12.
(22)	PAINT 4" DOUBLE YELLOW STRIPE - DETAIL 22.
(27B)	PAINT 4" WHITE LANE STRIPE - DETAIL 27B.
(29)	PAINT DOUBLE YELLOW MEDIAN STRIPE - DETAIL 29.
(32)	PAINT 4" YELLOW TWO-WAY LEFT TURN MEDIAN STRIPE - DETAIL 32.
(36)	INSTALL 4" SOLID WHITE THERMOPLASTIC CHANNELIZING STRIPE
(37B)	INSTALL 8" WHITE THERMOPLASTIC LANE DROP STRIPE - DETAIL 37B.
(38)	INSTALL 8" SOLID WHITE THERMOPLASTIC CHANNELIZING STRIPE - DETAIL 38.
(39)	PAINT 6" SOLID WHITE BIKE LANE STRIPE - DETAIL 39.
(39A)	PAINT 6" WHITE BIKE LANE INTERSECTION STRIPE - DETAIL 39A.
(40)	PAINT 4" WHITE LANE LINE EXTENSION STRIPE - DETAIL 40.

**SIGNING AND STRIPING GENERAL NOTES:**

- SIGNING AND STRIPING INSTALLATIONS SHALL CONFORM TO THE CALIFORNIA MANUAL ON UNIFORM TRAFFIC CONTROL DEVICES (CA MUTCD), THE STATE OF CALIFORNIA DEPARTMENT OF TRANSPORTATION (CALTRANS) STANDARD PLANS AND SPECIFICATIONS DATED 2010, AND ALL ADDENDUMS THERETO, AND THE CITY OF RIVERSIDE PUBLIC WORKS DEPARTMENT STANDARD DRAWINGS, CURRENT EDITION.
- ALL STRIPING, MARKINGS, AND LEGENDS SHALL BE REFLECTORIZED THERMOPLASTIC UNLESS OTHERWISE NOTED. THE CONTRACTOR SHALL PROVIDE AND INSTALL RAISED PAVEMENT MARKERS FOR ALL STRIPING. STRIPING, MARKINGS AND LEGENDS SHALL CONFORM TO THE LATEST CALTRANS STANDARD PLANS A20A THRU A20D AND A24A THRU A24E.
- PRIOR TO FINAL ACCEPTANCE OF STREET IMPROVEMENTS, ALL PAVEMENT STRIPING AND STENCILING WITHIN THE PERIMETER OF THE CONSTRUCTION AREA SHALL BE RESTORED TO LIKE NEW CONDITION, IN A MANNER MEETING THE APPROVAL OF THE CITY OF RIVERSIDE.
- THE CONTRACTOR SHALL RE-STRIP EXISTING STRIPING AND CURB MARKINGS OBLITERATED BY NEW CONSTRUCTION, WHETHER OR NOT SHOWN ON THE PLANS FOR REPLACEMENT, AT NO COST TO THE CITY.
- AT LOCATIONS WHERE EXISTING PAINTED CURB IS TO BE RECONSTRUCTED, THE CONTRACTOR SHALL PAINT THE NEW CURB AS SHOWN ON THE PLANS WITHIN 10 WORKING DAYS OF CURB CONSTRUCTION OR AS DIRECTED BY ENGINEER. THE PAINT SHALL BE WATER-BASED WITH 2-YEAR GUARANTEE AGAINST COLOR FADING. PRIOR TO THE START OF CONSTRUCTION, THE CONTRACTOR SHALL SUBMIT TO THE CITY WRITTEN PROOF OF THE MANUFACTURER'S 2-YEAR GUARANTEE.
- ALL NEW STRIPING SHALL BE "CAT TRACKED" AND APPROVED BY THE ENGINEER PRIOR TO FINAL INSTALLATION. THE CONTRACTOR SHALL NOTIFY THE ENGINEER AFTER COMPLETING LAYOUT AND AT LEAST 3 WORKING DAYS BEFORE COMMENCING INSTALLATION OF STRIPING, MARKINGS AND MARKERS.
- TRAFFIC SIGN FACE SHALL BE 3M DIAMOND GRADE D63 REFLECTIVE SHEETING (ASTM XI) OR APPROVED EQUAL WITH PROTECTIVE GRAFFITI OVERLAY FILM OR AS OTHERWISE NOTED. ALL WARNING SIGNS SHALL HAVE A FLUORESCENT YELLOW BACKGROUND AND SCHOOL SIGNS NOTED SHALL HAVE A FLUORESCENT YELLOW-GREEN BACKGROUND.
- SIGNS SHALL BE STANDARD SIZE UNLESS NOTED OTHERWISE. PRIOR TO INSTALLATION, NEW SIGNS SHALL BE APPROVED BY THE CITY OF RIVERSIDE. EXACT LOCATIONS OF SIGNS SHALL BE DETERMINED BY THE CITY ENGINEER.
- ALL EXISTING SIGNS AND POSTS TO BE REMOVED SHALL BE DELIVERED TO THE CITY OF RIVERSIDE SIGN DEPARTMENT.
- WHEN PAINT IS SPECIFIED, TRAFFIC STRIPES AND MARKINGS SHALL BE APPLIED IN TWO COATS. A MINIMUM OF SEVEN DAYS SHALL BE PROVIDED BETWEEN FIRST AND SECOND COATS.
- STRIPING SHALL BE APPLIED WITHIN 48 HOURS OF SURFACE COURSE REPLACEMENT ON STREETS OPEN TO THE PUBLIC. IN NO CASE SHALL A NEWLY PAVED STREET OPEN TO THE PUBLIC BE LEFT UNSTRIPED OVER A WEEKEND OR HOLIDAY.
- CONTRACTOR SHALL INSTALL NEW SIGN(S) AND/OR POST(S) PER CITY OF RIVERSIDE STANDARD DRAWING No. 664, SEE SPECIFICATIONS.
- CONTRACTOR SHALL INSTALL NEW STREET NAME SIGNS AND POST PER CITY OF RIVERSIDE STANDARD DRAWING No. 662, SEE SPECIFICATIONS.
- ALL CONFLICTING STRIPING, PAVEMENT MARKINGS, LEGENDS, AND RAISED PAVEMENT MARKERS SHALL BE REMOVED EVEN IF NOT SHOWN ON PLANS. REMOVALS OF PAINTED STRIPING, PAVEMENT MARKINGS AND LEGENDS SHALL BE DONE BY WET SANDBLASTING. REMOVALS OF THERMOPLASTIC STRIPING, PAVEMENT MARKINGS AND LEGENDS SHALL BE REMOVED BY WET SANDBLASTING, GRINDING OR OTHER APPROVED METHOD AND SHALL NOT DAMAGE THE PAVEMENT. "BLACK OUT" OF EXISTING DELINEATION IS NOT PERMITTED. ALL DAMAGED PAVEMENT DUE TO REMOVALS SHALL BE REPAIRED AS NECESSARY TO MAINTAIN A SMOOTH AND UNIFORM SURFACE OR AS DIRECTED BY THE ENGINEER. ALL STRIPING REMOVALS AND LEGENDS SHALL BE "FOG SEALED".
- WHERE APPLICABLE, OUTBOUND LANE LINE DETAILS SHALL COMMENCE AT THE CROSSWALK, MEANING THE PAINTED PORTION OF THE DETAIL SHALL JOIN THE CROSSWALK.



**IMPORTANT NOTICE**  
 Section 4216/4217 of the Government Code requires a Dig Alert Identification Number to be issued before a "Permit to Excavate" will be valid. For your Dig Alert I.D. Number call CALL TOLL FREE 48 HOURS BEFORE YOU DIG UNDERGROUND SERVICE ALERT 1-800-227-2600

SEAL  
 REGISTERED PROFESSIONAL ENGINEER  
 THOMAS JOSEPH WHEAT  
 No. 69467  
 Exp. 6/30/14  
 CIVIL  
 STATE OF CALIFORNIA

TJW ENGINEERING, INC.  
 Traffic Engineering & Transportation Planning Consultants  
 540 N. Golden Circle Dr. Suite 104  
 Santa Ana, CA 92705  
 t: (949) 878-3509 f: (949) 878-3593  
 www.tjwengineering.com

*Thomas Joseph Wheat*  
 Date: May 2, 2013  
 Exp. 6/30/14

MARK	REVISIONS	APPR.	DATE
DESIGNED BY		DRAWN BY	

CITY OF RIVERSIDE, CALIFORNIA  
 PUBLIC WORKS DEPARTMENT

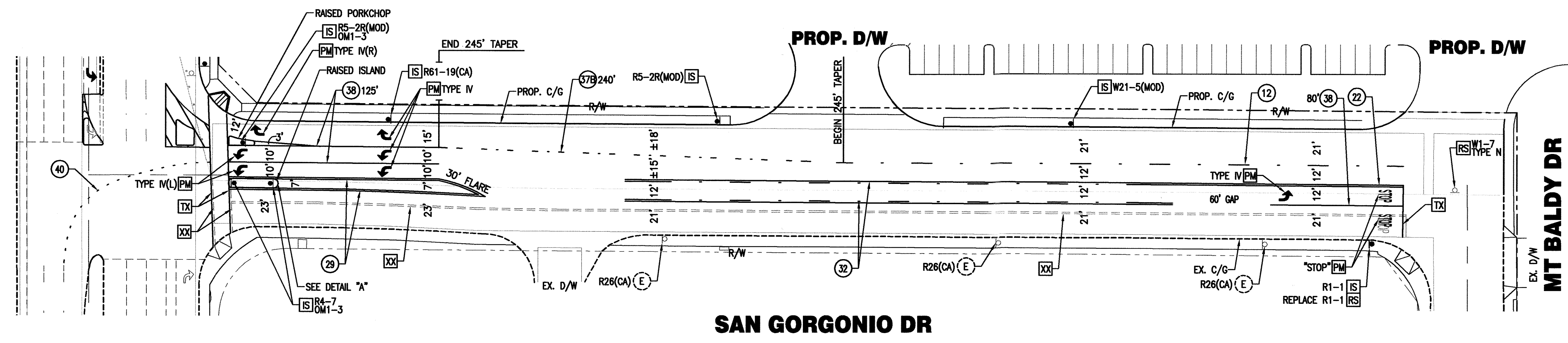
APPROVED BY	BY	DATE	APPROVED BY
PRINCIPAL ENGINEER	<i>[Signature]</i>	5-4-13	<i>[Signature]</i>
TRAFFIC DIVISION			CITY ENGINEER
			DATE
			5/10/2013

SIGNING AND STRIPING PLAN  
 ALESSANDRO BLVD. at SAN GORGONIO DR.  
 HORIZONTAL SCALE: 1" = 40'

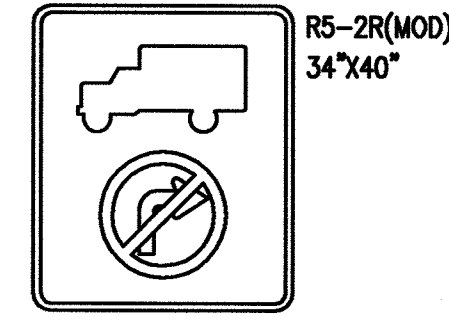
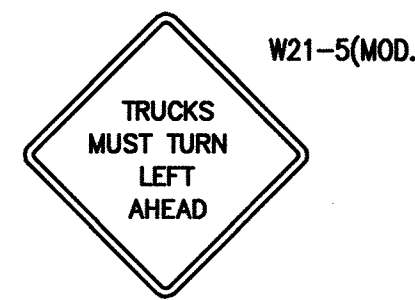
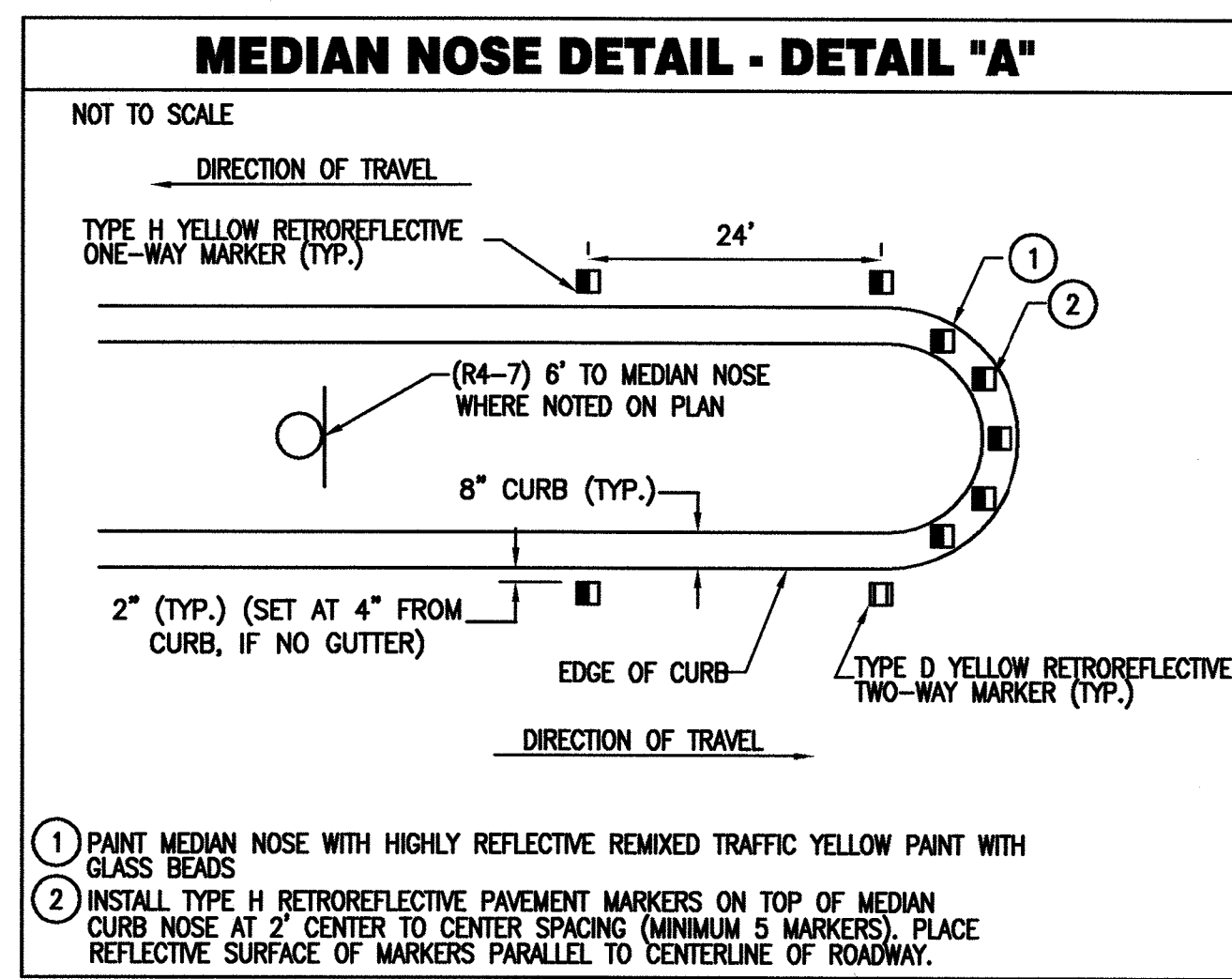
ACCT. NO. 9205300611 453002X  
 XL-708  
 SHEET 1 OF 2

File Name: C:\Users\TJWENGT\Dropbox\TJW Projects\TH-12-002\TH12002 Alex San Cor SS Mjar 050213.dwg  
 User: ###  
 Plot Date: 05/2/2013 10:05:55 AM  
 Last Update: 5/2/2013 9:58:46 AM

**ALESSANDRO BLVD**  
SEE SHEET 1 OF 2 FOR STRIPING



**SAN GORGONIO DR**



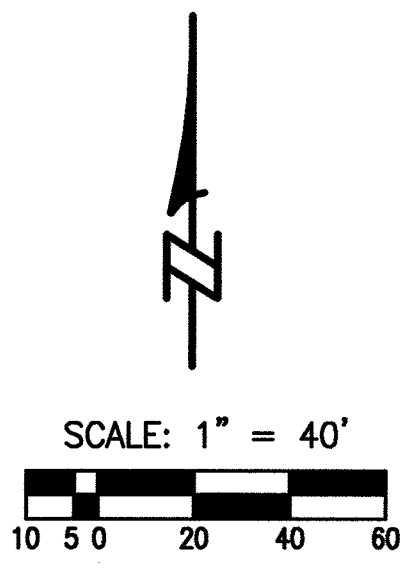
**CUSTOM SIGNS**

**CONSTRUCTION NOTES:**

- (E) EXISTING SIGN TO REMAIN.
- (IS) INSTALL TRAFFIC SIGN, PER CALTRANS STANDARDS.
- (PM) INSTALL THERMOPLASTIC PAVEMENT MARKING PER CALTRANS STANDARDS.
- (RL) RELOCATE SIGN AND POST.
- (RS) REMOVE AND SALVAGE SIGN AND POST.
- (TX) INSTALL 12" SOLID WHITE THERMOPLASTIC MARKING. (10' BETWEEN 12" STRIPES)
- (XX) SANDBLAST CONFLICTING STRIPING. REMOVE EXISTING CONFLICTING REFLECTIVE PAVEMENT MARKINGS.
- (P4) PAINT 4" SOLID WHITE LANELINE STRIPE.
- (P12) PAINT 12" WHITE SOLID CHEVRON STRIPE.
- (12) PAINT 4" WHITE LANE STRIPE - DETAIL 12.
- (22) PAINT 4" DOUBLE YELLOW STRIPE - DETAIL 22.
- (27B) PAINT 4" WHITE LANE STRIPE - DETAIL 27B.
- (29) PAINT DOUBLE YELLOW MEDIAN STRIPE - DETAIL 29.
- (32) PAINT 4" YELLOW TWO-WAY LEFT TURN MEDIAN STRIPE - DETAIL 32.
- (37B) INSTALL 8" WHITE THERMOPLASTIC LANE DROP STRIPE - DETAIL 37B.
- (38) INSTALL 8" SOLID WHITE THERMOPLASTIC CHANNELIZING STRIPE - DETAIL 38.
- (39) PAINT 6" SOLID WHITE BIKE LANE STRIPE - DETAIL 39.
- (39A) PAINT 6" WHITE BIKE LANE INTERSECTION STRIPE - DETAIL 39A.
- (40) PAINT 4" WHITE LANE LINE EXTENSION STRIPE - DETAIL 40.

**SIGNING AND STRIPING GENERAL NOTES:**

1. SIGNING AND STRIPING INSTALLATIONS SHALL CONFORM TO THE CALIFORNIA MANUAL ON UNIFORM TRAFFIC CONTROL DEVICES (CA MUTCD), THE STATE OF CALIFORNIA DEPARTMENT OF TRANSPORTATION (CALTRANS) STANDARD PLANS AND SPECIFICATIONS DATED 2010, AND ALL ADDENDUMS THERETO, AND THE CITY OF RIVERSIDE PUBLIC WORKS DEPARTMENT STANDARD DRAWINGS, CURRENT EDITION.
2. ALL STRIPING, MARKINGS, AND LEGENDS SHALL BE REFLECTORIZED THERMOPLASTIC UNLESS OTHERWISE NOTED. THE CONTRACTOR SHALL PROVIDE AND INSTALL RAISED PAVEMENT MARKERS FOR ALL STRIPING, STRIPING, MARKINGS AND LEGENDS SHALL CONFORM TO THE LATEST CALTRANS STANDARD PLANS A20A THRU A20D AND A24A THRU A24E.
3. PRIOR TO FINAL ACCEPTANCE OF STREET IMPROVEMENTS, ALL PAVEMENT STRIPING AND STENCILING WITHIN THE PERIMETER OF THE CONSTRUCTION AREA SHALL BE RESTORED TO LIKE NEW CONDITION, IN A MANNER MEETING THE APPROVAL OF THE CITY OF RIVERSIDE.
4. THE CONTRACTOR SHALL RE-STRIP EXISTING STRIPING AND CURB MARKINGS OBLITERATED BY NEW CONSTRUCTION, WHETHER OR NOT SHOWN ON THE PLANS FOR REPLACEMENT, AT NO COST TO THE CITY.
5. AT LOCATIONS WHERE EXISTING PAINTED CURB IS TO BE RECONSTRUCTED, THE CONTRACTOR SHALL PAINT THE NEW CURB AS SHOWN ON THE PLANS WITHIN 10 WORKING DAYS OF CURB CONSTRUCTION OR AS DIRECTED BY ENGINEER. THE PAINT SHALL BE WATER-BASED WITH 2-YEAR GUARANTEE AGAINST COLOR FADING. PRIOR TO THE START OF CONSTRUCTION, THE CONTRACTOR SHALL SUBMIT TO THE CITY WRITTEN PROOF OF THE MANUFACTURER'S 2-YEAR GUARANTEE.
6. ALL NEW STRIPING SHALL BE "CAT TRACKED" AND APPROVED BY THE ENGINEER PRIOR TO FINAL INSTALLATION. THE CONTRACTOR SHALL NOTIFY THE ENGINEER AFTER COMPLETING LAYOUT AND AT LEAST 3 WORKING DAYS BEFORE COMMENCING INSTALLATION OF STRIPING, MARKINGS AND MARKERS.
7. TRAFFIC SIGN FACE SHALL BE 3M DIAMOND GRADE DG3 REFLECTIVE SHEETING (ASTM XI) OR APPROVED EQUAL WITH PROTECTIVE GRAFFITI OVERLAY FILM OR AS OTHERWISE NOTED. ALL WARNING SIGNS SHALL HAVE A FLUORESCENT YELLOW BACKGROUND AND SCHOOL SIGNS NOTED SHALL HAVE A FLUORESCENT YELLOW-GREEN BACKGROUND.
8. SIGNS SHALL BE STANDARD SIZE UNLESS NOTED OTHERWISE. PRIOR TO INSTALLATION, NEW SIGNS SHALL BE APPROVED BY THE CITY OF RIVERSIDE. EXACT LOCATIONS OF SIGNS SHALL BE DETERMINED BY THE CITY ENGINEER.
9. ALL EXISTING SIGNS AND POSTS TO BE REMOVED SHALL BE DELIVERED TO THE CITY OF RIVERSIDE SIGN DEPARTMENT.
10. WHEN PAINT IS SPECIFIED, TRAFFIC STRIPES AND MARKINGS SHALL BE APPLIED IN TWO COATS. A MINIMUM OF SEVEN DAYS SHALL BE PROVIDED BETWEEN FIRST AND SECOND COATS.
11. STRIPING SHALL BE APPLIED WITHIN 48 HOURS OF SURFACE COURSE REPLACEMENT ON STREETS OPEN TO THE PUBLIC. IN NO CASE SHALL A NEWLY PAVED STREET OPEN TO THE PUBLIC BE LEFT UNSTRIPED OVER A WEEKEND OR HOLIDAY.
12. CONTRACTOR SHALL INSTALL NEW SIGN(S) AND/OR POST(S) PER CITY OF RIVERSIDE STANDARD DRAWING No. 664, SEE SPECIFICATIONS.
13. CONTRACTOR SHALL INSTALL NEW STREET NAME SIGNS AND POST PER CITY OF RIVERSIDE STANDARD DRAWING No. 662, SEE SPECIFICATIONS.
14. ALL CONFLICTING STRIPING, PAVEMENT MARKINGS, LEGENDS, AND RAISED PAVEMENT MARKERS SHALL BE REMOVED EVEN IF NOT SHOWN ON PLANS. REMOVALS OF PAINTED STRIPING, PAVEMENT MARKINGS AND LEGENDS SHALL BE DONE BY WET SANDBLASTING. REMOVALS OF THERMOPLASTIC STRIPING, PAVEMENT MARKINGS AND LEGENDS SHALL BE REMOVED BY WET SANDBLASTING, GRINDING OR OTHER APPROVED METHOD AND SHALL NOT DAMAGE THE PAVEMENT. "BLACK OUT" OF EXISTING DELINEATION IS NOT PERMITTED. ALL DAMAGED PAVEMENT DUE TO REMOVALS SHALL BE REPAIRED AS NECESSARY TO MAINTAIN A SMOOTH AND UNIFORM SURFACE OR AS DIRECTED BY THE ENGINEER. ALL STRIPING REMOVALS AND LEGENDS SHALL BE "FOG SEALED".
15. WHERE APPLICABLE, OUTBOUND LANE LINE DETAILS SHALL COMMENCE AT THE CROSSWALK, MEANING THE PAINTED PORTION OF THE DETAIL SHALL JOIN THE CROSSWALK.



**IMPORTANT NOTICE**  
Section 4216/4217 of the Government Code requires a Dig Alert identification Number to be issued before a Permit to Excavate will be valid. For your Dig Alert ID, Number call CALL TOLL FREE 48 HOURS BEFORE YOU DIG UNDERGROUND SERVICE ALERT 1-800-227-2600

SEAL  
REGISTERED PROFESSIONAL ENGINEER  
THOMAS JOSEPH WHEAT  
No. 69467  
Exp. 6/30/14  
CIVIL  
STATE OF CALIFORNIA

TJW ENGINEERING, INC.  
Traffic Engineering & Transportation Planning Consultants  
540 N. Golden Circle Dr. Suite 104  
Santa Ana, CA 92705  
t: (949) 878-3509 f: (949) 878-3593  
www.tjwengineering.com

THOMAS JOSEPH WHEAT R.C.E. No. 69467 Date: May 2, 2013 Exp. 6/30/14

MARK	REVISIONS	APPR.	DATE

DESIGNED BY JS DRAWN BY JS CHECKED BY TJW

**CITY OF RIVERSIDE, CALIFORNIA**  
**PUBLIC WORKS DEPARTMENT**

APPROVED BY	BY	DATE	APPROVED BY
TRAFFIC DIVISION	S.G.-13	5/1/13	[Signature]
			CITY ENGINEER
			DATE 5/1/2013

SIGNING AND STRIPING PLAN  
ALESSANDRO BLVD. at SAN GORGONIO DR.  
HORIZONTAL SCALE: 1" = 40'

ACCT. NO. 9205300611 453002XX  
**XL-708**  
SHEET 2 OF 2