

**SIGNING AND STRIPING GENERAL NOTES:**

- SIGNING AND STRIPING INSTALLATIONS SHALL CONFORM TO THE 2012 CALIFORNIA MANUAL ON UNIFORM TRAFFIC CONTROL DEVICES (CA MUTCD), THE STATE OF CALIFORNIA DEPARTMENT OF TRANSPORTATION (CALTRANS) STANDARD PLANS AND SPECIFICATIONS DATED 2010, AND ALL ADDENDUMS THERETO, AND THE CITY OF RIVERSIDE PUBLIC WORKS DEPARTMENT STANDARD DRAWINGS, CURRENT EDITION.
- ALL STRIPING, MARKINGS, AND LEGENDS SHALL BE REFLECTORIZED THERMOPLASTIC UNLESS OTHERWISE NOTED. THE CONTRACTOR SHALL PROVIDE AND INSTALL RAISED PAVEMENT MARKERS FOR ALL STRIPING. STRIPING, MARKINGS AND LEGENDS SHALL CONFORM TO THE LATEST CALTRANS STANDARD PLANS A20A THRU A20D AND A24A THRU A24E.
- PRIOR TO FINAL ACCEPTANCE OF STREET IMPROVEMENTS, ALL PAVEMENT STRIPING AND STENCILING WITHIN THE PERIMETER OF THE CONSTRUCTION AREA SHALL BE RESTORED TO LIKE NEW CONDITION, IN A MANNER MEETING THE APPROVAL OF THE CITY OF RIVERSIDE.
- THE CONTRACTOR SHALL RE-STRIP EXISTING STRIPING AND CURB MARKINGS OBLITERATED BY NEW CONSTRUCTION, WHETHER OR NOT SHOWN ON THE PLANS FOR REPLACEMENT, AT NO COST TO THE CITY.
- AT LOCATIONS WHERE EXISTING PAINTED CURB IS TO BE RECONSTRUCTED, THE CONTRACTOR SHALL PAINT THE NEW CURB WHETHER OR NOT SHOWN ON THE PLANS WITHIN 10 WORKING DAYS OF CURB CONSTRUCTION OR AS DIRECTED BY ENGINEER. THE PAINT SHALL BE WATER-BASED WITH 2-YEAR GUARANTEE AGAINST COLOR FADING. PRIOR TO THE START OF CONSTRUCTION, THE CONTRACTOR SHALL SUBMIT TO THE CITY WRITTEN PROOF OF THE MANUFACTURER'S 2-YEAR GUARANTEE.
- ALL NEW STRIPING SHALL BE "CAT TRACKED" AND APPROVED BY THE ENGINEER PRIOR TO FINAL INSTALLATION. THE CONTRACTOR SHALL NOTIFY THE ENGINEER AFTER COMPLETING LAYOUT AND AT LEAST 3 WORKING DAYS BEFORE COMMENCING INSTALLATION OF STRIPING, MARKINGS AND MARKERS.
- TRAFFIC SIGN FACE SHALL BE 3M DIAMOND GRADE DG3 REFLECTIVE SHEETING (ASTM XI) OR APPROVED EQUAL WITH PROTECTIVE GRAFFITI OVERLAY FILM OR AS OTHERWISE NOTED. ALL WARNING SIGNS SHALL HAVE A FLUORESCENT YELLOW BACKGROUND AND SCHOOL SIGNS NOTED SHALL HAVE A FLUORESCENT YELLOW-GREEN BACKGROUND.
- SIGNS SHALL BE STANDARD SIZE UNLESS NOTED OTHERWISE. PRIOR TO INSTALLATION, NEW SIGNS SHALL BE APPROVED BY THE CITY OF RIVERSIDE. EXACT LOCATIONS OF SIGNS SHALL BE DETERMINED BY THE CITY ENGINEER.
- ALL EXISTING SIGNS AND POSTS TO BE REMOVED, SHALL BE DELIVERED TO THE CITY OF RIVERSIDE SIGN DEPARTMENT.
- STRIPING SHALL BE APPLIED WITHIN 48 HOURS OF SURFACE COURSE REPLACEMENT ON STREETS OPEN TO THE PUBLIC. IN NO CASE SHALL A NEWLY PAVED STREET OPEN TO THE PUBLIC BE LEFT UNSTRIPED OVER A WEEKEND OR HOLIDAY.
- CONTRACTOR SHALL INSTALL NEW SIGN(S) AND/OR POST(S) PER CITY OF RIVERSIDE STANDARD DRAWING No. 664, SEE SPECIFICATIONS.
- CONTRACTOR SHALL INSTALL NEW STREET NAME SIGNS AND POST PER CITY OF RIVERSIDE STANDARD DRAWING No. 662, SEE SPECIFICATIONS.
- ALL CONFLICTING STRIPING, PAVEMENT MARKINGS, LEGENDS, AND RAISED PAVEMENT MARKERS SHALL BE REMOVED EVEN IF NOT SHOWN ON PLANS. REMOVALS OF PAINTED STRIPING, PAVEMENT MARKINGS AND LEGENDS SHALL BE DONE BY WET SANDBLASTING. REMOVALS OF THERMOPLASTIC STRIPING, PAVEMENT MARKINGS AND LEGENDS SHALL BE REMOVED BY WET SANDBLASTING, GRINDING OR OTHER APPROVED METHOD AND SHALL NOT DAMAGE THE PAVEMENT. "BLACK OUT" OF EXISTING DELINEATION IS NOT PERMITTED. ALL DAMAGED PAVEMENT DUE TO REMOVALS SHALL BE REPAIRED AS NECESSARY TO MAINTAIN A SMOOTH AND UNIFORM SURFACE OR AS DIRECTED BY THE ENGINEER. ALL STRIPING REMOVALS AND LEGENDS SHALL BE "FOG SEALED".
- WHERE APPLICABLE, OUTBOUND LANE LINE DETAILS SHALL COMMENCE AT THE CROSSWALK, MEANING THE PAINTED PORTION OF THE DETAIL SHALL JOIN THE CROSSWALK.
- ALL EXISTING PARKING STALLS SHALL BE INSTALLED IN THE EXISTING LOCATION AND PER THE DETAIL HEREON.
- ALL BUS STOP CURBS SHALL BE PAINTED RED AND INCLUDE WHITE "BUS ZONE" STENCILING. CONTRACTOR SHALL COORDINATE WITH (RTA) RIVERSIDE TRANSIT AUTHORITY FOR DETAILS.

**TRAFFIC SIGNAL GENERAL NOTES:**

- ALL ITEMS FURNISHED AND ALL WORK TO BE DONE SHALL CONFORM TO THE REQUIREMENTS OF: THE STATE OF CALIFORNIA, DEPARTMENT OF TRANSPORTATION (CALTRANS) STANDARD PLANS AND SPECIFICATIONS, DATED 2010; THE CALIFORNIA MANUAL ON UNIFORM TRAFFIC CONTROL DEVICES ADOPTED 2012; AND THE SPECIAL PROVISIONS.
- UTILITIES SHOWN ON THE PLAN ARE CORRECT AND ACCURATE TO THE EXTENT OF AVAILABLE RECORDS. THE CONTRACTOR IS REQUIRED TO TAKE STEPS TO ASCERTAIN THE EXACT LOCATION OF ALL KNOWN SUBSTRUCTURES PRIOR TO DOING WORK THAT MAY DAMAGE OR INTERFERE WITH SUCH FACILITIES ("UNDERGROUND SERVICE ALERT" (800) 227-2600)
- UNLESS SHOWN OTHERWISE, INDUCTIVE LOOPS SHALL BE TYPE "C" FOR BICYCLE, MODIFIED TYPE "D" & TYPE "E" FOR VEHICULAR WITH 10', 15' AND 30' SPACING IN THE DIRECTION OF TRAVEL. NECESSARY STRIPING SHALL BE LOCATED PRIOR TO POSITIONING LOOPS. LOOPS SHALL BE SEALED WITH HOT MELT SEALANT. SEE DETAIL.
- THE CONTRACTOR SHALL VERIFY WITH THE ENGINEER THE PRECISE FIELD LOCATIONS OF ALL TRAFFIC SIGNAL EQUIPMENT PRIOR TO THE INSTALLATION.
- IT SHALL BE THE RESPONSIBILITY OF THE CONTRACTOR TO FURNISH AND INSTALL ANY ADDITIONAL LOAD SWITCHES AND/OR DETECTOR CARDS, IF NECESSARY, FOR THE PROPOSED OPERATION.

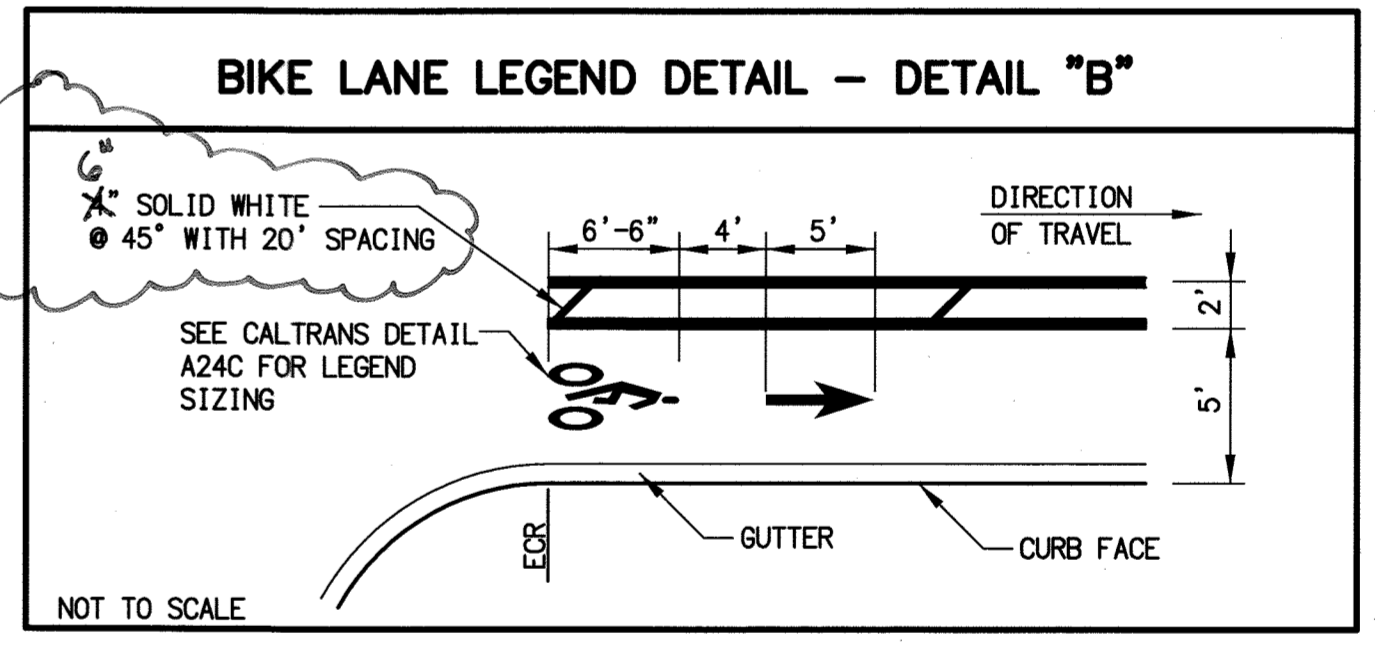
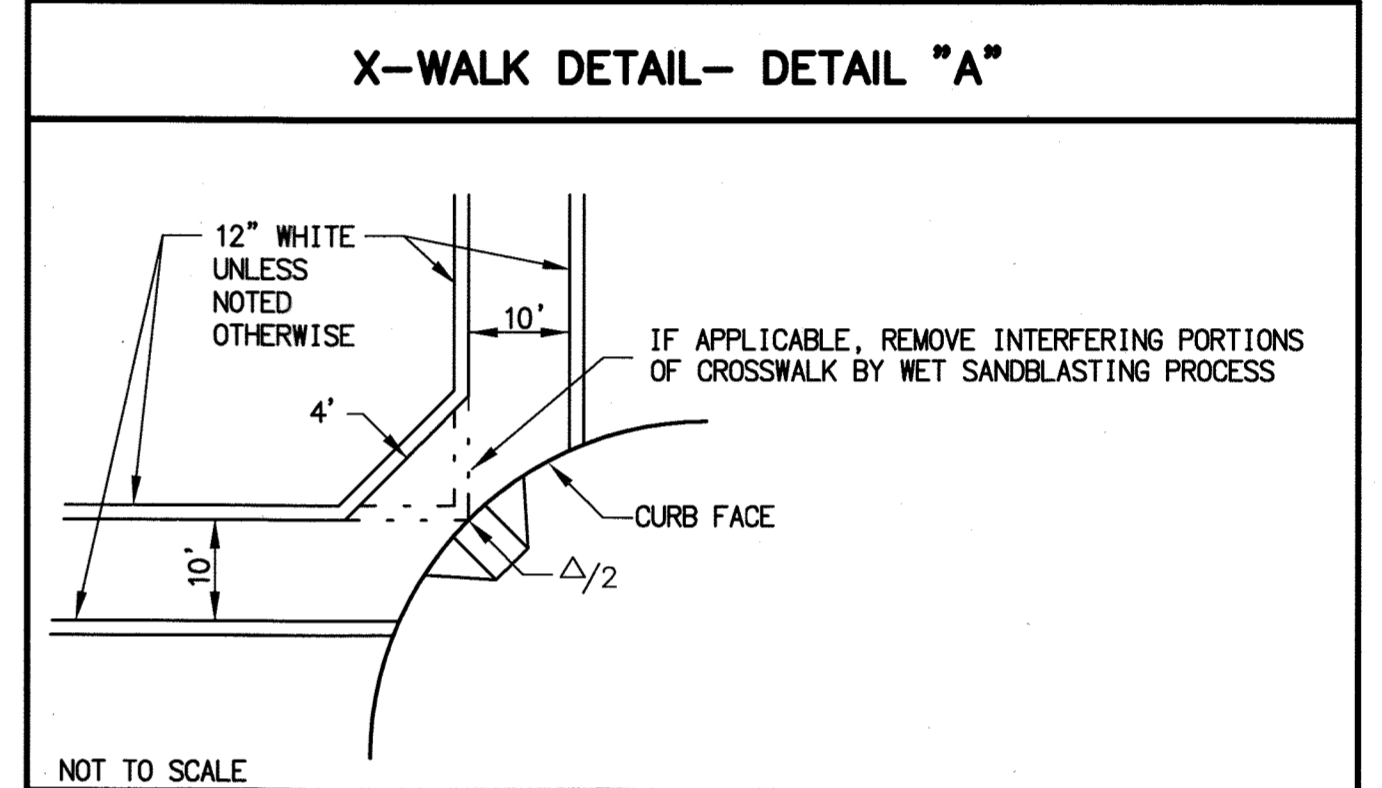
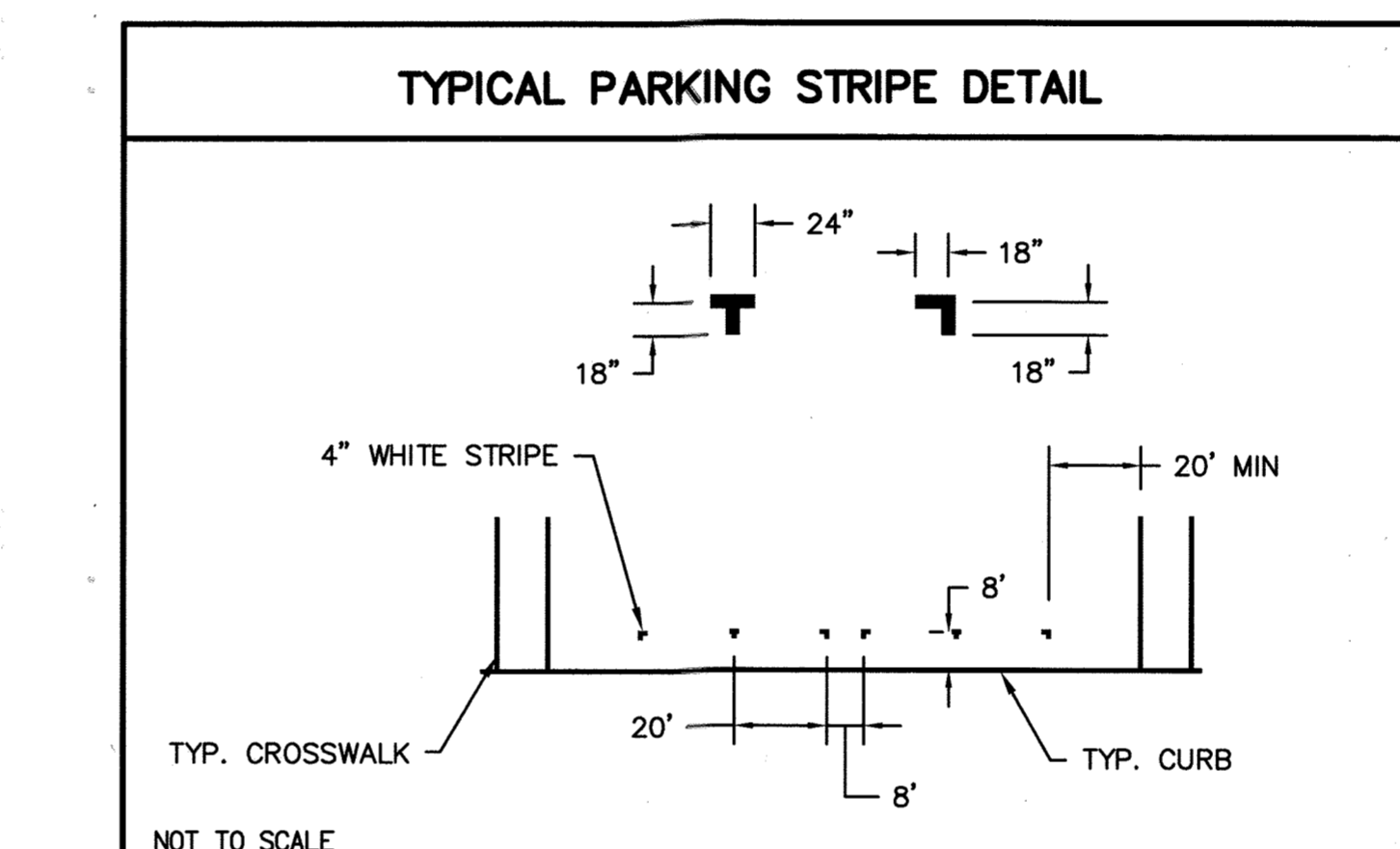
**SIGNING AND STRIPING LEGEND:**

- E** EXISTING TO REMAIN.
- #** INSTALL CALTRANS STRIPING DETAIL PER NUMBER NOTED, INCLUDING INSTALLATION OF RAISED PAVEMENT MARKERS.
- PM** INSTALL PAVEMENT MARKING OR ARROW AS NOTED.
- WC RC YC GC** PAINTED CURB (WHITE, RED, YELLOW OR GREEN)
- 1-1** SIGN LOCATION
- IS** FURNISH AND INSTALL ROADSIDE SIGN(S) OR SNS WITH/WITHOUT POST
- RS** REMOVE SIGN(S)
- I** INSTALL DETECTOR LOOPS
- SC** SPLICE NEW TO EXISTING CONDUCTORS
- S** EXISTING SIGNALIZED INTERSECTION
- o** PROPOSED SIGN (ONE POST)
- o** EXISTING SIGN (ONE POST)
- o** EXISTING SIGN (ON STREET LIGHT)
- o** EXISTING STREET NAME SIGN
- (12')** EXISTING WIDTH
- 12'** PROPOSED WIDTH

**CONSTRUCTION NOTE:**

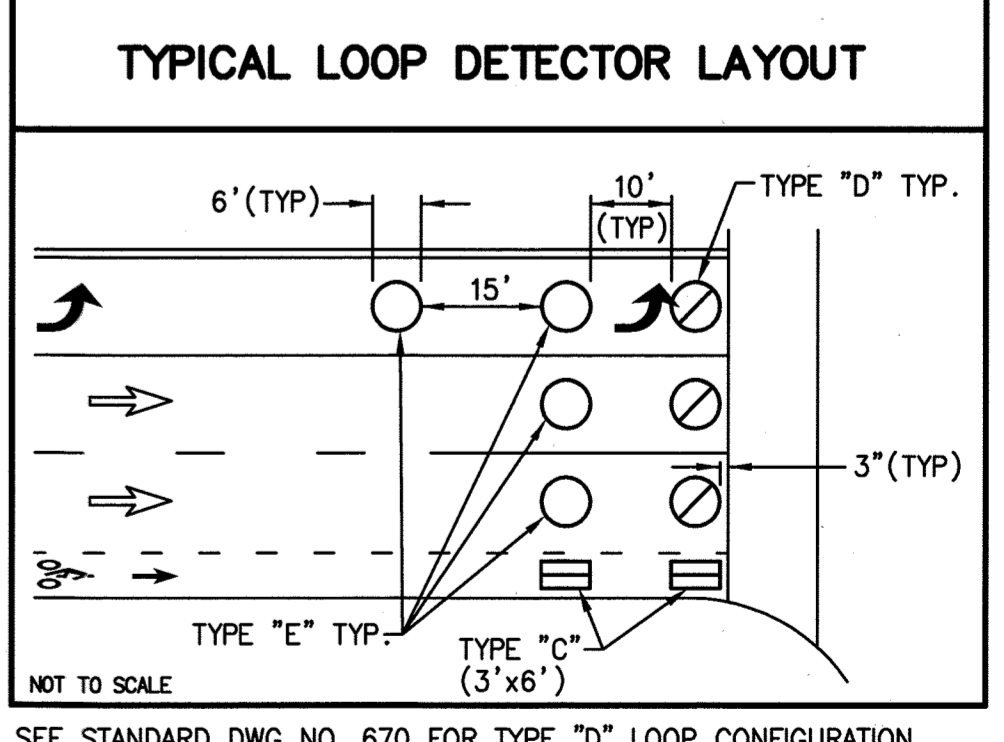
- CONTRACTOR SHALL INSTALL (1) NEW DLC APPROX. 225' FROM THE EXISTING CONTROLLER LOCATION THE ADJACENT PULLBOX FOR THE SOUTHBOUND DETECTORS. CONTRACTOR SHALL FURNISH AND INSTALL (1) NEW DETECTOR CARD IN THE CONTROLLER FOR THE PROPOSED OPERATION.

ITEM	DESCRIPTION	QUANTITY	UNIT
1	DETAIL 9	1,400	LF
2	DETAIL 22	770	LF
3	DETAIL 32	550	LF
4	DETAIL 38	410	LF
5	DETAIL 39	1,180	LF
6	DETAIL 39A	1,800	LF
7	4" SOLID WHITE	250	LF
8	12" SOLID WHITE	1,340	LF
9	PAVEMENT LEGENDS/MARKINGS	264	SF
10	PAINTED CURB (RED, YELLOW OR GREEN)	433	LF
11	REMOVE TRAFFIC STRIPE	7,400	LF
12	REMOVE TRAFFIC LEGEND	278	SF
13	TYPE "D" DETECTOR LOOP	3	EA
14	TYPE "E" DETECTOR LOOP	6	EA
15	SC - SPLICE CONDUCTORS	1	EA
16	DLC - DETECTOR LOOP CABLE	225	LF
17	2 CHANNEL DETECTOR CARD	1	EA



SIGN NUMBER	SIGN CODE	PANEL SIZE (IN)	INSTALL ROADSIDE SIGN(S)			INSTALL STREET NAME SIGN	RELOCATE ROADSIDE SIGN(S) OR SNS		REMOVE SIGN(S)
			NO POST	ONE POST	TWO POST		NO POST	ONE POST	
01-01	R1-1	-				1		1	
	SNS	-						1	
01-02	R1-1	-						1	
	SNS	-				1		1	
<b>GRAND TOTAL:</b>						<b>2</b>	<b>2</b>	<b>2</b>	

SEE CITY OF RIVERSIDE STD DWG NO. 664 FOR ROADSIDE SIGNS  
SEE CITY OF RIVERSIDE STD DWG NO. 662 FOR STREET NAME SIGNS  
SNS = STREET NAME SIGN (2 BLADES)



Under Ground Service Alert of Southern California  
Call: TOLL FREE 1-800-227-2600  
TWO WORKING DAYS BEFORE YOU DIG

**ENGINEER IN RESPONSIBLE CHARGE**  
GILBERT M. HERNANDEZ  
R.C.E. No. 69170 EXPIRES: 6-30-14  
DATE: 6-18-13

PROFESSIONAL ENGINEER  
GILBERT M. HERNANDEZ  
No. 69170  
Exp. 06-30-14  
CIVIL  
STATE OF CALIFORNIA

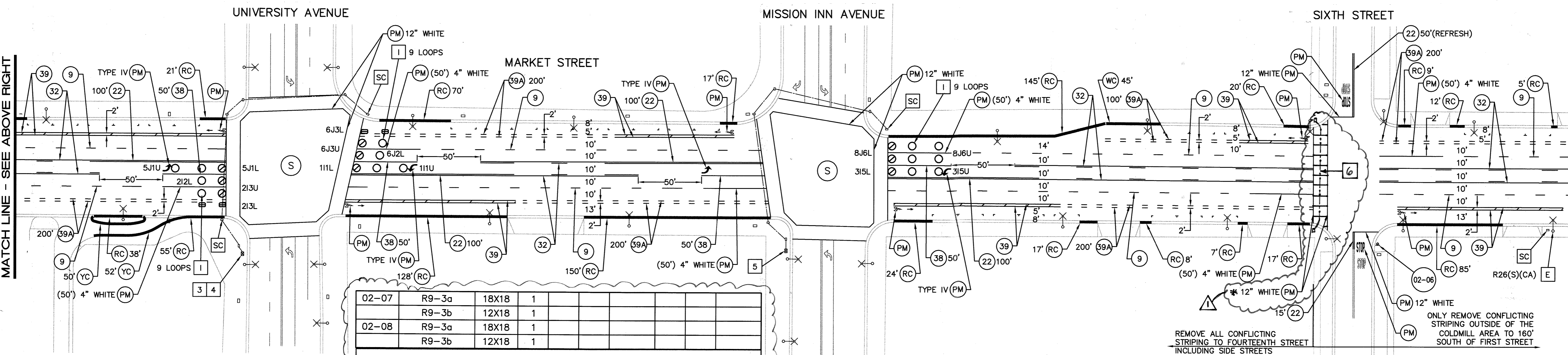
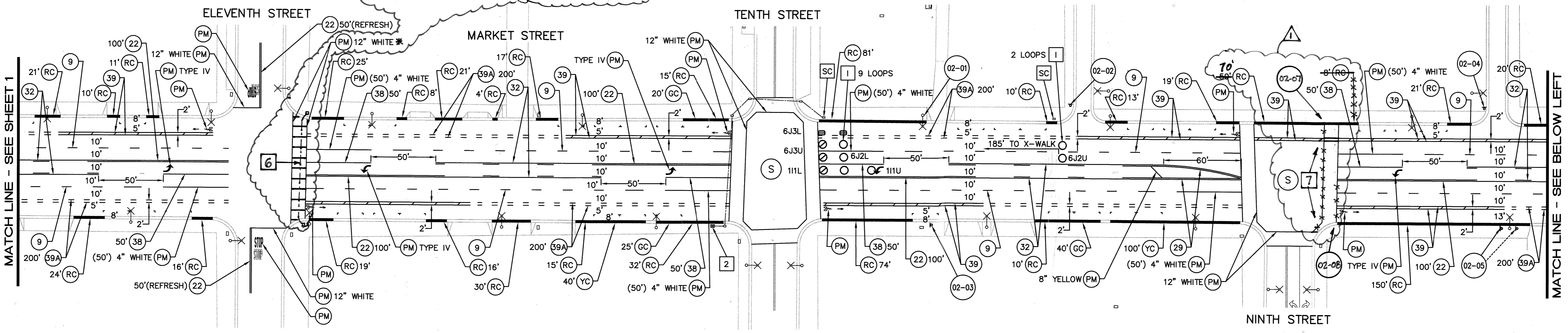
DESIGNED BY: DMC DRAWN BY: DMC CHECKED BY: GMH

CITY OF RIVERSIDE, CALIFORNIA  
DEPARTMENT OF PUBLIC WORKS  
APPROVED BY: F.M. 6/17/13  
TRAFFIC DIVISION: DC 6/10/13  
CONSTRUCTION ADMIN. DC 6/15/13  
DATE: 6/18/13

SIGNING AND STRIPING PLAN  
MARKET STREET  
FROM FOURTEENTH STREET  
TO FIRST STREET  
SCALE: 1" = 40'

XL-710  
SHEET 1 OF 3  
FILE NAME: XL-710.DWG

(\*) - CONTRACTOR SHALL INSTALL HIGH VISIBILITY CROSSWALK STRIPES. THESE STRIPES SHALL BE 24" SOLID WHITE @ 48" SPACING ON CENTER.



02-07	R9-3a	18X18	1				
	R9-3b	12X18	1				
02-08	R9-3a	18X18	1				
	R9-3b	12X18	1				

SIGN QUANTITIES - THIS SHEET

SIGN NUMBER	SIGN CODE	PANEL SIZE (IN)	INSTALL ROADSIDE SIGN(S)			INSTALL STREET NAME SIGN	RELOCATE ROADSIDE SIGN(S) OR SNS		REMOVE SIGN(S)
			NO POST	ONE POST	TWO POST		NO POST	ONE POST	
02-01	"PHONE"	-					1		1
02-02	SNS	9"				1			1
	R1-1	-					1		
02-03	"PAY PARK'G"	-					1		1
02-04	SNS	9"				1			1
02-05	R3-2	-					1		1
	"NO EXIT"	-					1		1
02-06	SNS	9"				1			1
GRAND TOTAL:			4			3	2	2	4

SEE CITY OF RIVERSIDE STD DWG NO. 664 FOR ROADSIDE SIGNS  
 SEE CITY OF RIVERSIDE STD DWG NO. 662 FOR STREET NAME SIGNS  
 SNS = STREET NAME SIGN (2 BLADES)  
 ALL STREET NAME SIGN PROOFS SHALL BE SUBMITTED PRIOR TO INSTALLATION.

\*\*NOTE: SEE SHEET 1 FOR ALL GENERAL NOTES AND LEGEND\*\*

CONSTRUCTION NOTE:

- CONTRACTOR SHALL INSTALL (3) NEW DLC(S) APPROX. 300' FROM THE EXISTING CONTROLLER LOCATION THE ADJACENT PULLBOX FOR THE SOUTHBOUND DETECTORS. CONTRACTOR SHALL FURNISH AND INSTALL (1) NEW DETECTOR CARD IN THE CONTROLLER FOR THE PROPOSED OPERATION.
- CONTRACTOR SHALL INSTALL (3) NEW DLC(S) FOR PHASE 1 & 6, APPROX. 260' FROM THE EXISTING CONTROLLER LOCATION THE ADJACENT PULLBOX FOR THE SOUTHBOUND DETECTORS. CONTRACTOR SHALL FURNISH AND INSTALL (1) NEW DETECTOR CARD IN THE CONTROLLER FOR THE PROPOSED OPERATION.
- CONTRACTOR SHALL INSTALL (3) NEW DLC(S) FOR PHASE 2 & 5, APPROX. 60' FROM THE EXISTING CONTROLLER LOCATION THE ADJACENT PULLBOX FOR THE NORTHBOUND DETECTORS. CONTRACTOR SHALL FURNISH AND INSTALL (1) NEW DETECTOR CARD IN THE CONTROLLER FOR THE PROPOSED OPERATION.
- CONTRACTOR SHALL INSTALL (1) NEW DLC(S) FOR PHASE 3, APPROX. 260' FROM THE EXISTING CONTROLLER LOCATION THE ADJACENT PULLBOX FOR THE NORTHBOUND DETECTORS.

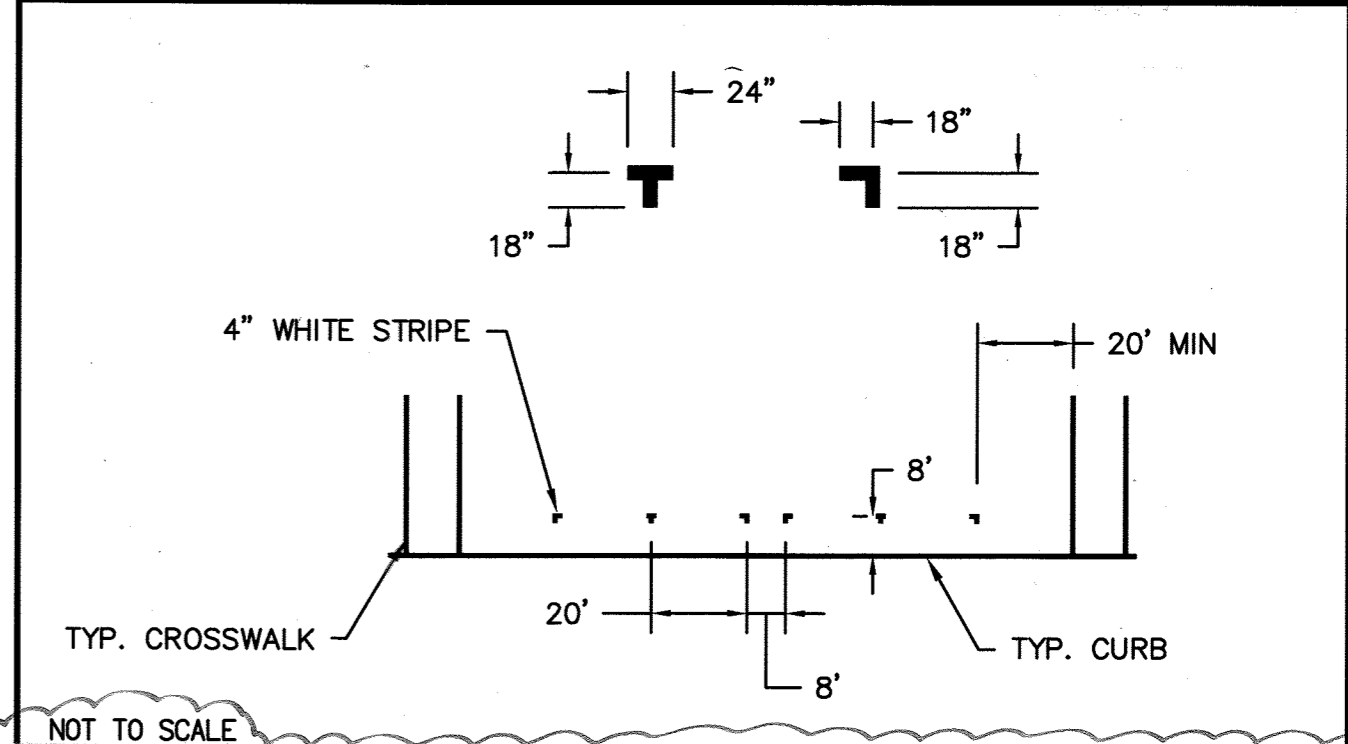
6 CONTRACTOR SHALL INSTALL A NEW 3" CONDUIT WITH PULLROPE. INSTALL A NEW #6 PULLBOX ON EACH END WITHIN THE CURB RETURN FOR FUTURE IMPROVEMENTS. (SEE SPECIAL PROVISIONS)

REMOVE ALL CONFLICTING STRIPING TO FOURTEENTH STREET INCLUDING SIDE STREETS  
 ONLY REMOVE CONFLICTING STRIPING OUTSIDE OF THE COLDMILL AREA TO 160' SOUTH OF FIRST STREET

STRIPING QUANTITIES - THIS SHEET

ITEM	DESCRIPTION	QUANTITY	UNIT
1	DETAIL 9	3,440	LF
2	DETAIL 22	1,115	LF
3	DETAIL 29	120	LF
4	DETAIL 32	2,055	LF
5	DETAIL 38	450	LF
6	DETAIL 39	3,420	LF
7	DETAIL 39A	4,200	LF
8	4" SOLID WHITE	600	LF
9	8" SOLID YELLOW	20	LF
10	12" SOLID WHITE	2,675	LF
11	PAVEMENT LEGENDS/MARKINGS	391	SF
12	PAINTED CURB (RED, YELLOW, GREEN OR WHITE)	1580	LF
13	REMOVE TRAFFIC STRIPE	12900	LF
14	REMOVE TRAFFIC LEGEND	410	SF
15	TYPE "C" DETECTOR LOOP	6	EA
16	TYPE "D" DETECTOR LOOP	12	EA
17	TYPE "E" DETECTOR LOOP	20	EA
18	SC - SPLICE CONDUCTORS	6	EA
19	DLC - DETECTOR LOOP CABLE	2120	LF
20	2 CHANNEL DETECTOR CARD	3	EA
21	24" SOLID WHITE	400	LF

TYPICAL PARKING STRIPE DETAIL



7 CONTRACTOR SHALL REMOVE AND SALVAGE (2) PEDESTRIAN INDICATIONS AND (3) PUSH BUTTONS SERVING THE NORTHERLY CROSSWALK. CONTRACTOR SHALL INSTALL PLUGS FOR THE OPEN HOLES LEFT IN THE POLES. INSTALL R9-3g AND R9-3b SIGNS ON THE EXISTING TYPE 1A POLE ON THE WESTERLY SIDE AND ON THE LARGE SIGNAL POLE ON THE EASTERLY SIDE OF THE INTERSECTION.

22 6" SOLID WHITE  
 23 #6 PULLBOX  
 24 3" CONDUIT

Under Ground Service Alert of Southern California  
 Call: TOLL FREE 1-800-227-2600  
 TWO WORKING DAYS BEFORE YOU DIG

ENGINEER IN RESPONSIBLE CHARGE  
 GILBERT M. HERNANDEZ  
 R.C.E. No. 69170 EXPIRES: 6-30-14  
 DATE: 6-18-13

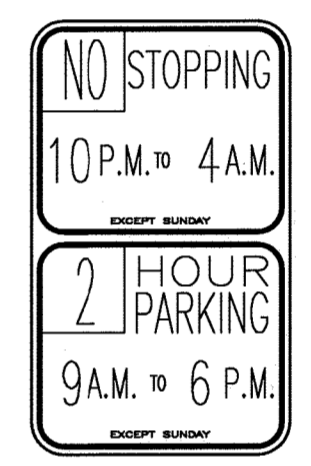
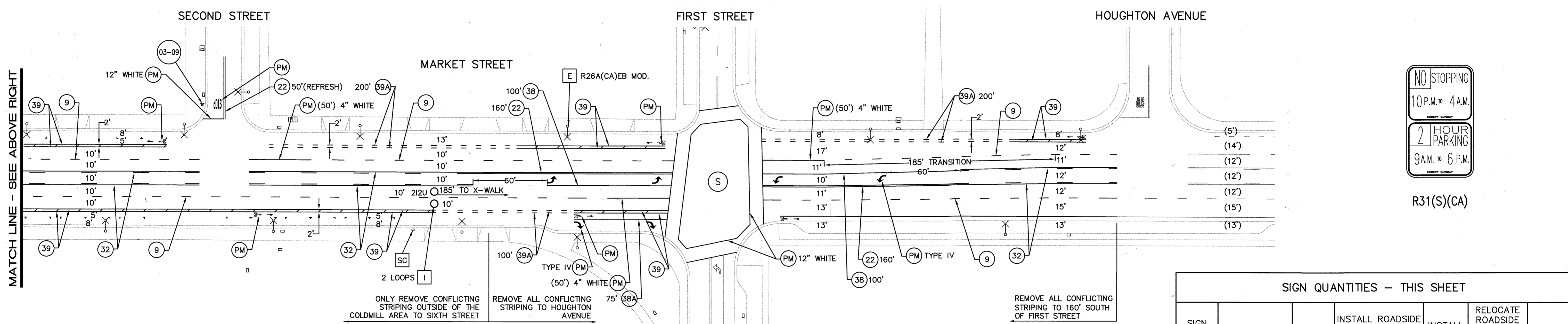
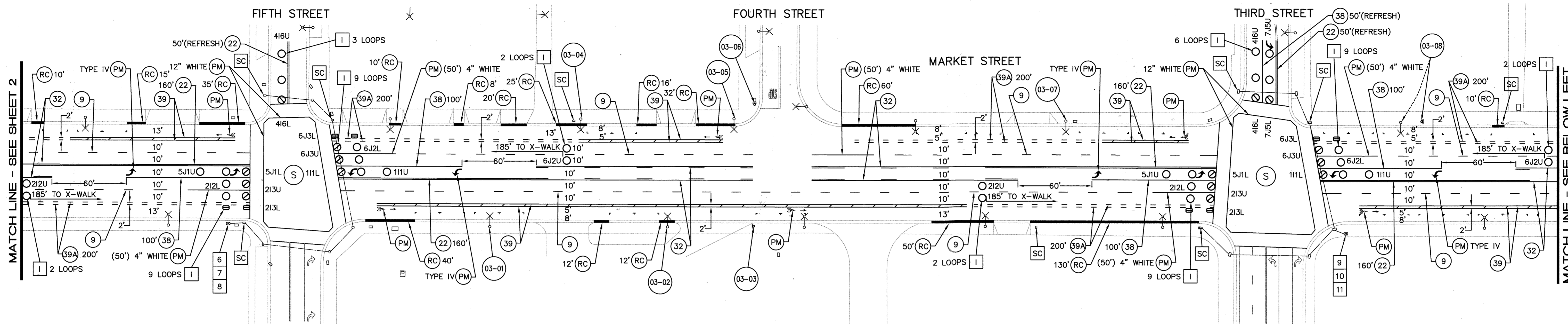
PROFESSIONAL ENGINEER  
 GILBERT M. HERNANDEZ  
 No. 69170  
 Exp. 06-30-14  
 CIVIL  
 STATE OF CALIFORNIA

AND CONDUIT W/ P.B. FOR FUTURE  
 ADD HIGH VIS. CROSSWALK STRIPES 6/18/13  
 DELETE CROSSWALK @ 9TH ST. 6/18/13

CITY OF RIVERSIDE, CALIFORNIA  
 DEPARTMENT OF PUBLIC WORKS  
 APPROVED BY: ENGINEERING MANAGER E.M. 6/18/13  
 TRAFFIC DIVISION 6/18/13  
 CONSTRUCTION ADMIN. DC 6/18/13

SIGNING AND STRIPING PLAN  
 MARKET STREET  
 FROM FOURTEENTH STREET  
 TO FIRST STREET  
 SCALE: 1" = 40'

XL-710  
 SHEET 2 OF 3  
 FILE NAME: XL-710.DWG



R31(S)(CA)

ONLY REMOVE CONFLICTING STRIPING OUTSIDE OF THE COLDMILL AREA TO SIXTH STREET  
 REMOVE ALL CONFLICTING STRIPING TO HOUGHTON AVENUE  
 REMOVE ALL CONFLICTING STRIPING TO 160' SOUTH OF FIRST STREET

**CONSTRUCTION NOTE:**

- 6 CONTRACTOR SHALL INSTALL (1) NEW DLC FOR PHASE 4, APPROX. 300' FROM THE EXISTING CONTROLLER LOCATION THE THE ADJACENT PULLBOX FOR THE EASTBOUND DETECTORS.
- 7 CONTRACTOR SHALL INSTALL (3) NEW DLC FOR PHASE 1 & 6, APPROX. 250' FROM THE EXISTING CONTROLLER LOCATION THE THE ADJACENT PULLBOX FOR THE SOUTHBOUND DETECTORS. CONTRACTOR SHALL FURNISH AND INSTALL (1) NEW DETECTOR CARD IN THE CONTROLLER FOR THE PROPOSED OPERATION.
- 8 CONTRACTOR SHALL INSTALL (3) NEW DLC FOR PHASE 2 & 5, APPROX. 25' FROM THE EXISTING CONTROLLER LOCATION THE THE ADJACENT PULLBOX FOR THE NORTHBOUND DETECTORS. CONTRACTOR SHALL FURNISH AND INSTALL (1) NEW DETECTOR CARD IN THE CONTROLLER FOR THE PROPOSED OPERATION.
- 9 CONTRACTOR SHALL INSTALL (2) NEW DLC FOR PHASE 4 & 7, APPROX. 185' FROM THE EXISTING CONTROLLER LOCATION THE THE ADJACENT PULLBOX FOR THE EASTBOUND DETECTORS.
- 10 CONTRACTOR SHALL INSTALL (3) NEW DLC FOR PHASE 1 & 6, APPROX. 120' FROM THE EXISTING CONTROLLER LOCATION THE THE ADJACENT PULLBOX FOR THE SOUTHBOUND DETECTORS. CONTRACTOR SHALL FURNISH AND INSTALL (1) NEW DETECTOR CARD IN THE CONTROLLER FOR THE PROPOSED OPERATION.
- 11 CONTRACTOR SHALL INSTALL (3) NEW DLC FOR PHASE 2 & 5, APPROX. 150' FROM THE EXISTING CONTROLLER LOCATION THE THE ADJACENT PULLBOX FOR THE NORTHBOUND DETECTORS. CONTRACTOR SHALL FURNISH AND INSTALL (1) NEW DETECTOR CARD IN THE CONTROLLER FOR THE PROPOSED OPERATION.

\*\*NOTE: SEE SHEET 1 FOR ALL GENERAL NOTES AND LEGEND\*\*



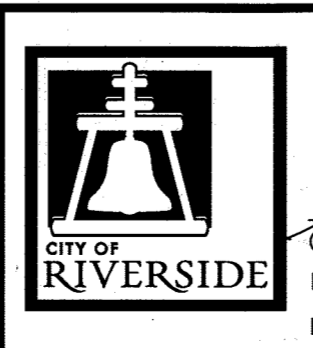
**STRIPING/SIGNAGE QUANTITIES - THIS SHEET**

ITEM	DESCRIPTION	QUANTITY	UNIT
1	DETAIL 9	3400	LF
2	DETAIL 22	1125	LF
3	DETAIL 32	1775	LF
4	DETAIL 38	730	LF
5	DETAIL 38A	75	LF
6	DETAIL 39	3780	LF
7	DETAIL 39A	2920	LF
8	4" SOLID WHITE	3000	LF
9	12" SOLID WHITE	2000	LF
10	PAVEMENT LEGENDS/MARKINGS	343	SF
11	PAINTED CURB (RED)	480	LF
12	REMOVE TRAFFIC STRIPE	2540	LF
13	REMOVE TRAFFIC LEGEND	132	SF
14	TYPE "C" DETECTOR LOOP	8	EA
15	TYPE "D" DETECTOR LOOP	15	EA
16	TYPE "E" DETECTOR LOOP	32	EA
17	SC - SPLICE CONDUCTORS	9	EA
18	DLC - DETECTOR LOOP CABLE	2305	LF
19	2 CHANNEL DETECTOR CARD	4	EA

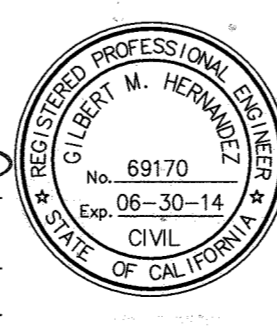
**SIGN QUANTITIES - THIS SHEET**

SIGN NUMBER	SIGN CODE	PANEL SIZE (IN)	INSTALL ROADSIDE SIGN(S)			INSTALL STREET NAME SIGN	RELOCATE ROADSIDE SIGN(S) OR SNS		REMOVE SIGN(S)
			NO POST	ONE POST	TWO POST		NO POST	ONE POST	
03-01	R31(S)(CA)	*	1						1
03-02	R31(S)(CA)	*	1						1
03-03	W11-2	-							1
	W16-7	-							1
03-04	R31(S)(CA)	*	1						1
03-05	W11-2	-							1
	W16-7	-							1
03-06	SNS	9"				1			1
03-07	R31(S)(CA)	*	1						1
03-08	R31(S)(CA)	-							1
03-09	SNS	9"				1			1
<b>GRAND TOTAL:</b>			<b>4</b>			<b>1</b>		<b>1</b>	<b>9</b>

SEE CITY OF RIVERSIDE STD DWG NO. 664 FOR ROADSIDE SIGNS  
 SEE CITY OF RIVERSIDE STD DWG NO. 662 FOR STREET NAME SIGNS  
 SNS = STREET NAME SIGN (2 BLADES)  
 \* = SIGN SIZE SMALL MATCH EXISTING



**ENGINEER IN RESPONSIBLE CHARGE**  
 GILBERT M. HERNANDEZ  
 R.C.E. No. 69170 EXPIRES: 6-30-14  
 DATE: 6-18-13



MARK	REVISIONS	APPR.	DATE

**CITY OF RIVERSIDE, CALIFORNIA**  
**DEPARTMENT OF PUBLIC WORKS**  
 APPROVED BY: [Signature] DATE: 6/17/13  
 TRAFFIC DIVISION: [Signature] DATE: 6/18/13  
 CONSTRUCTION ADMIN.: [Signature] DATE: 6/18/13

**SIGNING AND STRIPING PLAN**  
**MARKET STREET**  
**FROM FOURTEENTH STREET**  
**TO FIRST STREET**  
 SCALE: 1" = 40'

**XL-710**  
 SHEET **3** OF **3**  
 FILE NAME: XL-710.DWG