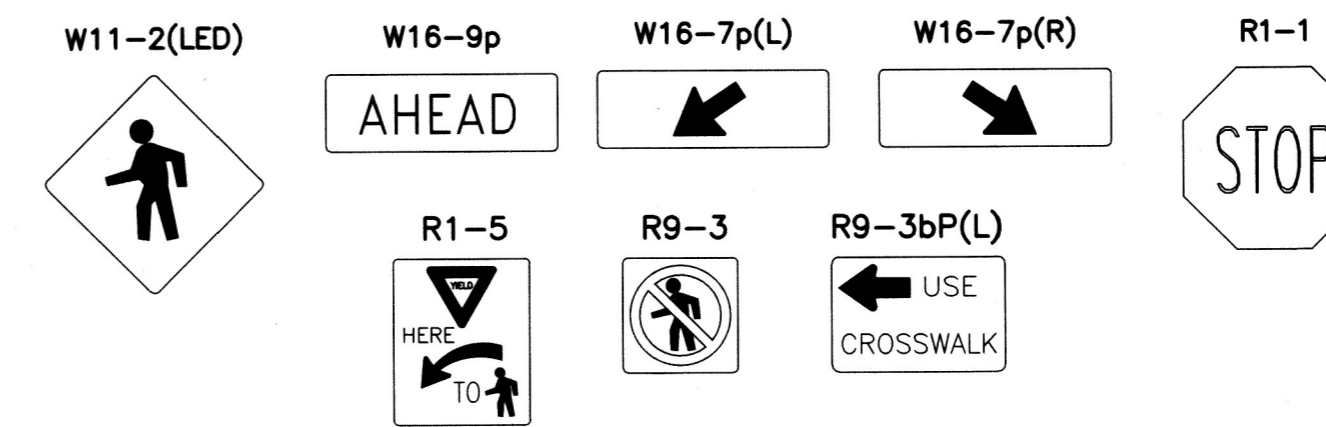


GENERAL SIGNING & STRIPING NOTES:

- SIGNING AND STRIPING INSTALLATIONS SHALL CONFORM TO THE 2014 CALIFORNIA MANUAL ON UNIFORM TRAFFIC CONTROL DEVICES (CA MUTCD), THE STATE OF CALIFORNIA DEPARTMENT OF TRANSPORTATION (CALTRANS) STANDARD PLANS AND SPECIFICATIONS DATED 2018, AND ALL ADDENDUMS THERETO, AND THE CITY OF RIVERSIDE PUBLIC WORKS DEPARTMENT STANDARD DRAWINGS, CURRENT EDITION.
- ALL STRIPING, MARKINGS, AND LEGENDS SHALL BE REFLECTORIZED THERMOPLASTIC UNLESS OTHERWISE NOTED. THE CONTRACTOR SHALL PROVIDE AND INSTALL RAISED PAVEMENT MARKERS FOR ALL STRIPING. STRIPING, MARKINGS AND LEGENDS SHALL CONFORM TO THE LATEST CALTRANS STANDARD PLANS A20A THRU A20D AND A24A THRU A24E.
- PRIOR TO FINAL ACCEPTANCE OF STREET IMPROVEMENTS, ALL PAVEMENT STRIPING AND STENCILING WITHIN THE PERIMETER OF THE CONSTRUCTION AREA SHALL BE RESTORED TO LIKE NEW CONDITION, IN A MANNER MEETING THE APPROVAL OF THE CITY OF RIVERSIDE.
- THE CONTRACTOR SHALL RE-STRIPE EXISTING STRIPING AND CURB MARKINGS OBLITERATED BY NEW CONSTRUCTION, WHETHER OR NOT SHOWN ON THE PLANS FOR REPLACEMENT, AT NO COST TO THE CITY.
- AT LOCATIONS WHERE EXISTING PAINTED CURB IS TO BE RECONSTRUCTED, THE CONTRACTOR SHALL PAINT THE NEW CURB AS SHOWN ON THE PLANS WITHIN 10 WORKING DAYS OF CURB CONSTRUCTION OR AS DIRECTED BY ENGINEER. THE PAINT SHALL BE WATER-BASED WITH 2-YEAR GUARANTEE AGAINST COLOR FADING. PRIOR TO THE START OF CONSTRUCTION, THE CONTRACTOR SHALL SUBMIT TO THE CITY WRITTEN PROOF OF THE MANUFACTURER'S 2-YEAR GUARANTEE.
- ALL NEW STRIPING SHALL BE "CAT TRACKED" AND APPROVED BY THE ENGINEER PRIOR TO FINAL INSTALLATION. THE CONTRACTOR SHALL NOTIFY THE ENGINEER AFTER COMPLETING LAYOUT AND AT LEAST 3 WORKING DAYS BEFORE COMMENCING INSTALLATION OF STRIPING, MAKINGS AND MARKERS.
- TRAFFIC SIGN FACE SHALL BE 3M DIAMOND GRADE DG3 REFLECTIVE SHEETING (ASTM XI) OR APPROVED EQUAL WITH PROTECTIVE GRAFFITI OVERLAY FILM OR AS OTHERWISE NOTED. ALL WARNING SIGNS SHALL HAVE A FLUORESCENT YELLOW BACKGROUND AND SCHOOL SIGNS NOTED SHALL HAVE A FLUORESCENT YELLOW-GREEN BACKGROUND.
- SIGNS SHALL BE STANDARD SIZE UNLESS NOTED OTHERWISE. PRIOR TO INSTALLATION, NEW SIGNS SHALL BE APPROVED BY THE CITY OF RIVERSIDE. EXACT LOCATIONS OF SIGNS SHALL BE DETERMINED BY THE CITY ENGINEER.

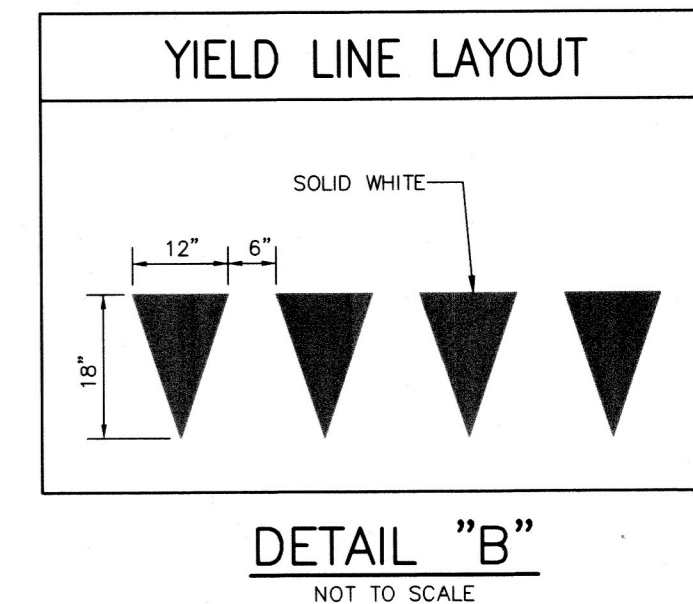
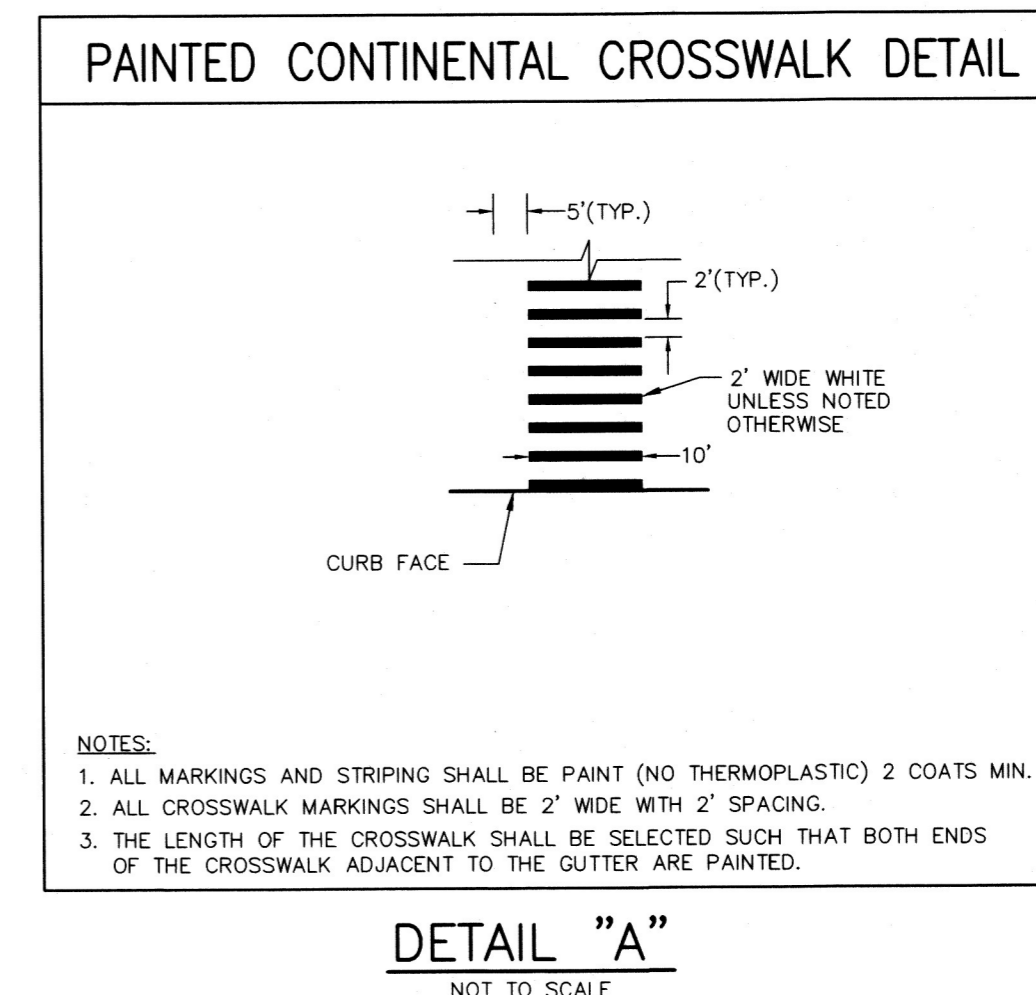
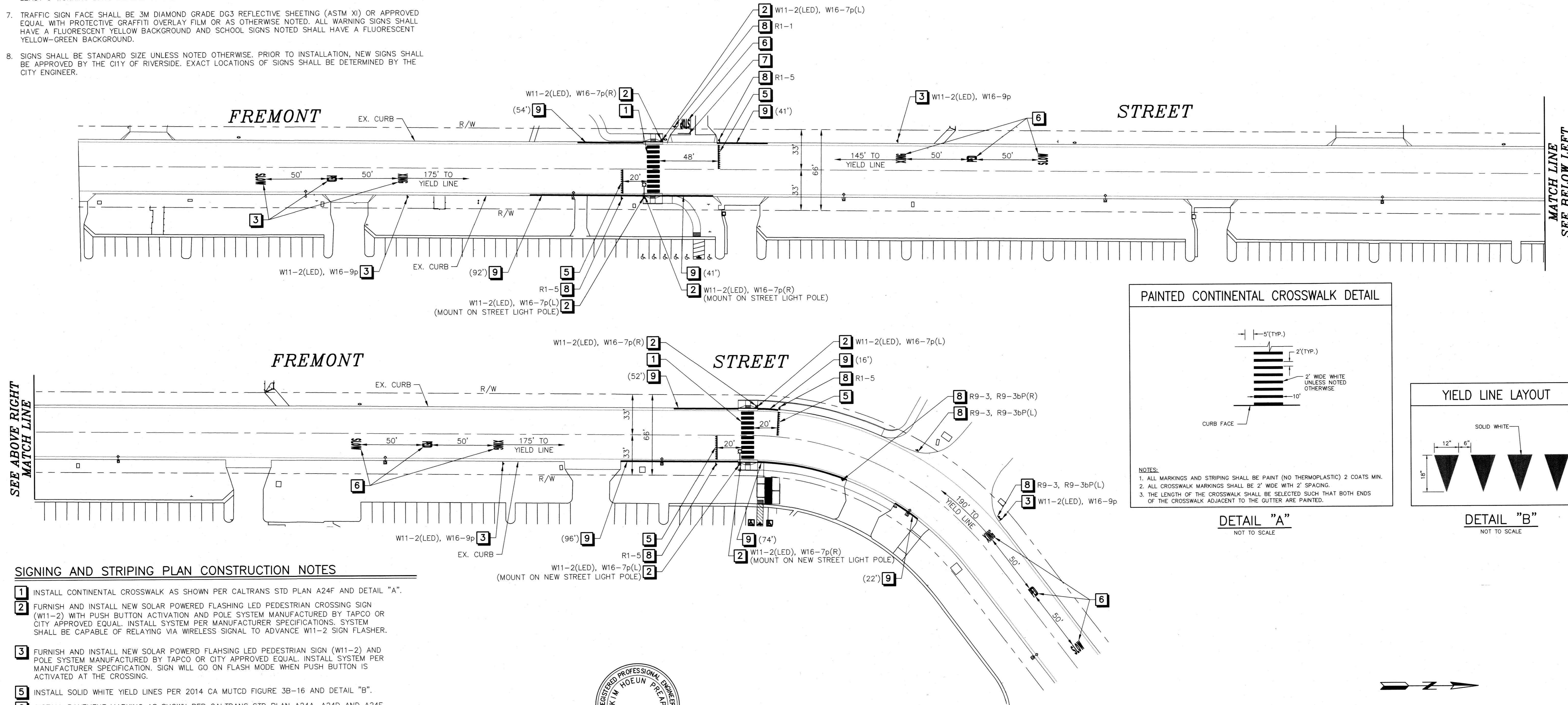
- ALL EXISTING SIGNS AND POSTS TO BE REMOVED SHALL BE DELIVERED TO THE CITY OF RIVERSIDE SIGN DEPARTMENT.
- WHEN PAINT IS SPECIFIED, TRAFFIC STRIPES AND MARKINGS SHALL BE APPLIED IN TWO COATS. A MINIMUM OF SEVEN DAYS SHALL BE PROVIDED BETWEEN FIRST AND SECOND COATS.
- STRIPING SHALL BE APPLIED WITHIN 48 HOURS OF SURFACE COURSE REPLACEMENT ON STREETS OPEN TO THE PUBLIC. IN NO CASE SHALL A NEWLY PAVED STREET OPEN TO THE PUBLIC BE LEFT UNSTRIPED OVER A WEEKEND OR HOLIDAY.
- CONTRACTOR SHALL INSTALL NEW SIGN(S) AND/OR POST(S) PER CITY OF RIVERSIDE STANDARD DRAWING No. 664, SEE SPECIFICATIONS. CONTRACTOR SHALL INSTALL NEW STREET NAME SIGNS AND POST PER CITY OF RIVERSIDE STANDARD DRAWING No. 662, SEE SPECIFICATIONS.
- ALL CONFLICTING STRIPING, PAVEMENT MARKINGS, LEGENDS, AND RAISED PAVEMENT MARKERS SHALL BE REMOVED EVEN IF NOT SHOWN ON PLANS. REMOVALS OF PAINTED STRIPING, PAVEMENT MARKINGS AND LEGENDS SHALL BE DONE BY WET SANDBLASTING. REMOVALS OF THERMOPLASTIC STRIPING, PAVEMENT MARKINGS AND LEGENDS SHALL BE REMOVED BY WET SANDBLASTING, GRINDING OR OTHER APPROVED METHOD AND SHALL NOT DAMAGE THE PAVEMENT. "BLACK OUT" OF EXISTING DELINEATION IS NOT PERMITTED. ALL DAMAGED PAVEMENT DUE TO REMOVALS SHALL BE REPAIRED AS NECESSARY TO MAINTAIN A SMOOTH AND UNIFORM SURFACE OR AS DIRECTED BY THE ENGINEER. ALL STRIPING REMOVALS AND LEGENDS SHALL BE "FOG SEALED".
- WHERE APPLICABLE, OUTBOUND LANE LINE DETAILS SHALL COMMENCE AT THE CROSSWALK, MEANING THE PAINTED PORTION OF THE DETAIL SHALL JOIN THE CROSSWALK.

NEW SIGN ON THIS SHEET



LEGEND

- EXISTING STRIPING & MARKINGS TO REMAIN.
- EXISTING STRIPING & MARKINGS TO BE REMOVED.
- PROPOSED STRIPING & MARKINGS.
- EXISTING SIGN TO REMAIN.
- EXISTING SIGN TO BE REMOVED.
- PROPOSED SIGN.
- SIGNALIZED INTERSECTION.

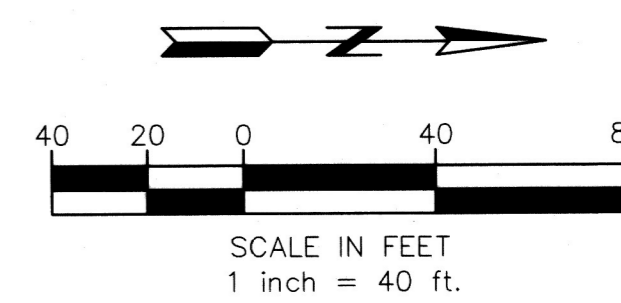


SIGNING AND STRIPING PLAN CONSTRUCTION NOTES

- INSTALL CONTINENTAL CROSSWALK AS SHOWN PER CALTRANS STD PLAN A24F AND DETAIL "A".
- FURNISH AND INSTALL NEW SOLAR POWERED FLASHING LED PEDESTRIAN CROSSING SIGN (W11-2) WITH PUSH BUTTON ACTIVATION AND POLE SYSTEM MANUFACTURED BY TAPCO OR CITY APPROVED EQUAL. INSTALL SYSTEM PER MANUFACTURER SPECIFICATIONS. SYSTEM SHALL BE CAPABLE OF RELAYING VIA WIRELESS SIGNAL TO ADVANCE W11-2 SIGN FLASHER.
- FURNISH AND INSTALL NEW SOLAR POWERED FLASHING LED PEDESTRIAN SIGN (W11-2) AND POLE SYSTEM MANUFACTURED BY TAPCO OR CITY APPROVED EQUAL. INSTALL SYSTEM PER MANUFACTURER SPECIFICATION. SIGN WILL GO ON FLASH MODE WHEN PUSH BUTTON IS ACTIVATED AT THE CROSSING.
- INSTALL SOLID WHITE YIELD LINES PER 2014 CA MUTCD FIGURE 3B-16 AND DETAIL "B".
- INSTALL PAVEMENT MARKING AS SHOWN PER CALTRANS STD PLAN A24A, A24D AND A24E.
- INSTALL 12" SOLID WHITE LIMIT LINE PER CALTRANS STD PLAN A24E.
- INSTALL NEW SIGN ONTO POST OR STREET LIGHT POLE AS SHOWN.
- INSTALL RED CURB AS SHOWN. THE PAINT USED SHALL BE WATER-BASED HIGH GLOSS ENAMEL WITH A 2-YEAR GUARANTEE AGAINST COLOR FADING. OTHERWISE ON PLAN.



CITY OF RIVERSIDE
PUBLIC UTILITIES DEPARTMENT
OVERHEAD & UNDERGROUND



Under Ground Service Alert of Southern California
Call: TOLL FREE 1-800-227-2600
TWO WORKING DAYS BEFORE YOU DIG

PREPARED BY:
LINSCOTT, LAW & GREENSPAN, ENGINEERS
TRANSPORTATION PLANNING - TRAFFIC ENGINEERING - PARKING
600 South Lake Avenue, Suite 500 Pasadena, CA 91106 (626) 798-2322
2 Executive Circle, Suite 250 Irvine, CA 92614 (949) 852-8175
4542 Wilshire Street, Suite 100, San Diego, CA 92111 (619) 551-8800

KIM H. PREAP
R.T.E. #2833 (EXP. 3/31/22)

MARK	REVISIONS	APPR.	DATE

DESIGNED BY: XXX DRAWN BY: XXX CHECKED BY: GMH

CITY OF RIVERSIDE, CALIFORNIA
DEPARTMENT OF PUBLIC WORKS

APPROVED BY	BY	DATE	APPROVED BY
ENGINEERING MANAGER	EL	10.1.20	CITY ENGINEER
PRINCIPAL ENGINEER	NM	9.28.20	
TRAFFIC DIVISION			DATE: Oct. 8, 2020

SIGNING AND STRIPING PLAN
FREMONT STREET
SCALE: 1" = 40'

XL-797
SHEET 1 OF 1
FILE NAME: X-XXX.DWG