

SIGNING AND STRIPING GENERAL NOTES:

- SIGNING AND STRIPING INSTALLATIONS SHALL CONFORM TO THE 2014 CALIFORNIA MANUAL ON UNIFORM TRAFFIC CONTROL DEVICES (CA MUTCD), THE STATE OF CALIFORNIA DEPARTMENT OF TRANSPORTATION (CALTRANS) STANDARD PLANS AND SPECIFICATIONS DATED 2018, AND ALL ADDENDUMS THERETO, AND THE CITY OF RIVERSIDE PUBLIC WORKS DEPARTMENT STANDARD DRAWINGS, CURRENT EDITION.
- ALL STRIPING, MARKINGS, AND LEGENDS SHALL BE REFLECTORIZED THERMOPLASTIC UNLESS OTHERWISE NOTED. THE CONTRACTOR SHALL PROVIDE AND INSTALL RAISED PAVEMENT MARKERS FOR ALL STRIPING. STRIPING, MARKINGS AND LEGENDS SHALL CONFORM TO THE LATEST CALTRANS STANDARD PLANS A20A THRU A20D AND A24A THRU A24E.
- PRIOR TO FINAL ACCEPTANCE OF STREET IMPROVEMENTS, ALL PAVEMENT STRIPING AND STENCILING WITHIN THE PERIMETER OF THE CONSTRUCTION AREA SHALL BE RESTORED TO LIKE NEW CONDITION, IN A MANNER MEETING THE APPROVAL OF THE CITY OF RIVERSIDE.
- THE CONTRACTOR SHALL RE-STRIP EXISTING STRIPING AND CURB MARKINGS OBLITERATED BY NEW CONSTRUCTION, WHETHER OR NOT SHOWN ON THE PLANS FOR REPLACEMENT, AT NO COST TO THE CITY.
- AT LOCATIONS WHERE EXISTING PAINTED CURB IS TO BE RECONSTRUCTED, THE CONTRACTOR SHALL PAINT THE NEW CURB AS SHOWN ON THE PLANS WITHIN 10 WORKING DAYS OF CURB CONSTRUCTION OR AS DIRECTED BY ENGINEER. THE PAINT SHALL BE WATER-BASED WITH 2-YEAR GUARANTEE AGAINST COLOR FADING. PRIOR TO THE START OF CONSTRUCTION, THE CONTRACTOR SHALL SUBMIT TO THE CITY WRITTEN PROOF OF THE MANUFACTURER'S 2-YEAR GUARANTEE.
- ALL NEW STRIPING SHALL BE "CAT TRACKED" AND APPROVED BY THE ENGINEER PRIOR TO FINAL INSTALLATION. THE CONTRACTOR SHALL NOTIFY THE ENGINEER AFTER COMPLETING LAYOUT AND AT LEAST 3 WORKING DAYS BEFORE COMMENCING INSTALLATION OF STRIPING, MARKINGS AND MARKERS.
- TRAFFIC SIGN FACE SHALL BE 3M DIAMOND GRADE DG3 REFLECTIVE SHEETING (ASTM XI) OR APPROVED EQUAL WITH PROTECTIVE GRAFFITI OVERLAY FILM OR AS OTHERWISE NOTED. ALL WARNING SIGNS SHALL HAVE A FLUORESCENT YELLOW BACKGROUND AND SCHOOL SIGNS NOTED SHALL HAVE A FLUORESCENT YELLOW-GREEN BACKGROUND.
- SIGNS SHALL BE STANDARD SIZE UNLESS NOTED OTHERWISE. PRIOR TO INSTALLATION, NEW SIGNS SHALL BE APPROVED BY THE CITY OF RIVERSIDE. EXACT LOCATIONS OF SIGNS SHALL BE DETERMINED BY THE CITY ENGINEER.
- ALL EXISTING SIGNS AND POSTS TO BE REMOVED SHALL BE DELIVERED TO THE CITY OF RIVERSIDE SIGN DEPARTMENT.
- WHEN PAINT IS SPECIFIED, TRAFFIC STRIPES AND MARKINGS SHALL BE APPLIED IN TWO COATS. A MINIMUM OF SEVEN DAYS SHALL BE PROVIDED BETWEEN FIRST AND SECOND COATS.
- STRIPING SHALL BE APPLIED WITHIN 48 HOURS OF SURFACE COURSE REPLACEMENT ON STREETS OPEN TO THE PUBLIC. IN NO CASE SHALL A NEWLY PAVED STREET OPEN TO THE PUBLIC BE LEFT UNSTRIPED OVER A WEEKEND OR HOLIDAY.
- CONTRACTOR SHALL INSTALL NEW SIGN(S) AND/OR POST(S) PER CITY OF RIVERSIDE STANDARD DRAWING No. 664, SEE SPECIFICATIONS. CONTRACTOR SHALL INSTALL NEW STREET NAME SIGNS AND POST PER CITY OF RIVERSIDE STANDARD DRAWING No. 662, SEE SPECIFICATIONS.
- ALL CONFLICTING STRIPING, PAVEMENT MARKINGS, LEGENDS, AND RAISED PAVEMENT MARKERS SHALL BE REMOVED EVEN IF NOT SHOWN ON PLANS. REMOVALS OF PAINTED STRIPING, PAVEMENT MARKINGS AND LEGENDS SHALL BE DONE BY WET SANDBLASTING. REMOVALS OF THERMOPLASTIC STRIPING, PAVEMENT MARKINGS AND LEGENDS SHALL BE REMOVED BY WET SANDBLASTING, GRINDING OR OTHER APPROVED METHOD AND SHALL NOT DAMAGE THE PAVEMENT. "BLACK OUT" OF EXISTING DELINEATION IS NOT PERMITTED. ALL DAMAGED PAVEMENT DUE TO REMOVALS SHALL BE REPAIRED AS NECESSARY TO MAINTAIN A SMOOTH AND UNIFORM SURFACE OR AS DIRECTED BY THE ENGINEER. ALL STRIPING REMOVALS AND LEGENDS SHALL BE "FOG SEALED".
- WHERE APPLICABLE, OUTBOUND LANE LINE DETAILS SHALL COMMENCE AT THE CROSSWALK, MEANING THE PAINTED PORTION OF THE DETAIL SHALL JOIN THE CROSSWALK.

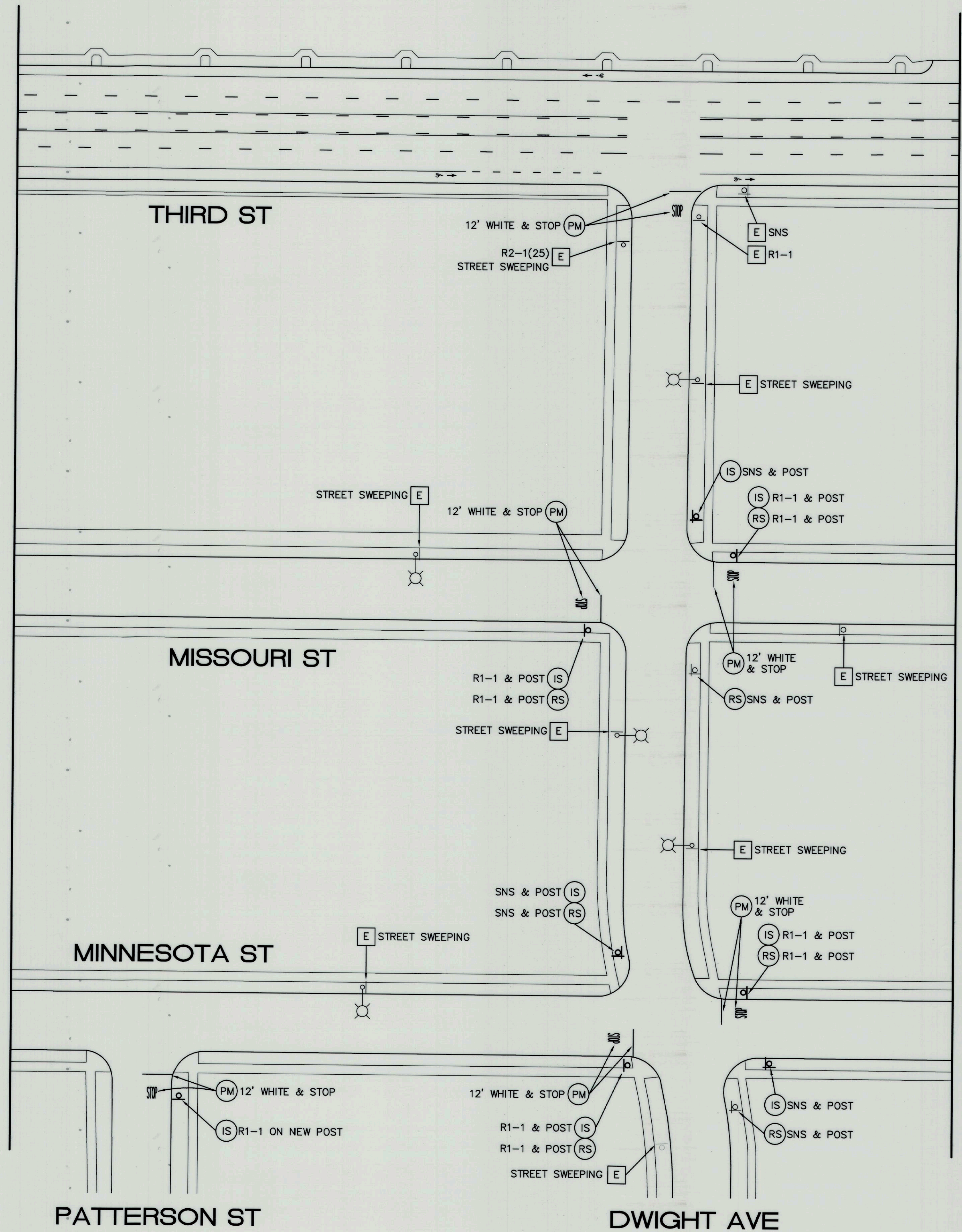
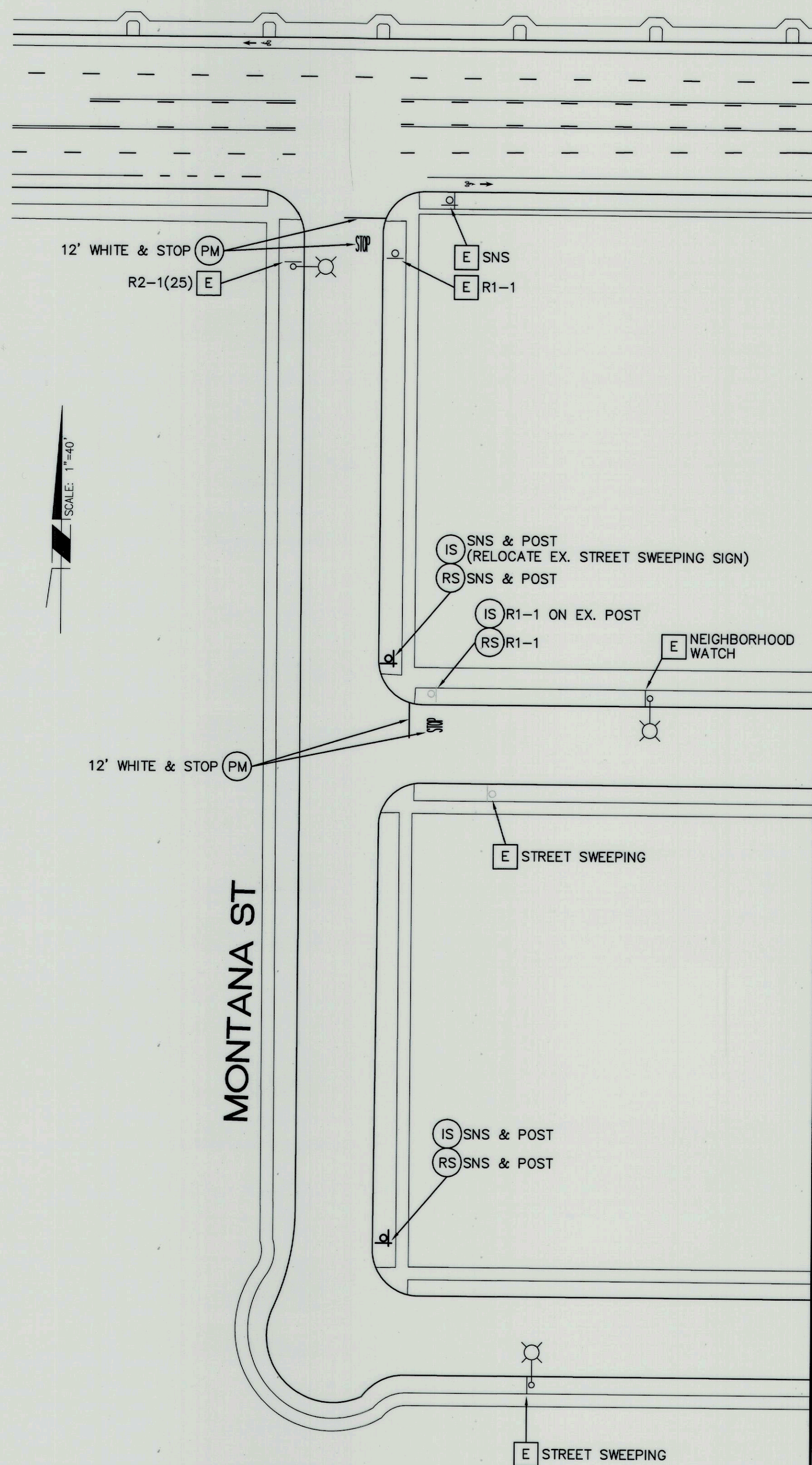
SIGNING AND STRIPING LEGEND AND CONSTRUCTION NOTES:

- [E] EXISTING TO REMAIN.
- [#] INSTALL CALTRANS STRIPING DETAIL PER NUMBER NOTED, INCLUDING INSTALLATION OF RAISED PAVEMENT MARKERS.
- [PM] INSTALL PAVEMENT MARKING OR ARROW AS NOTED.
- [RP] REMOVE ALL EXISTING CONFLICTING TRAFFIC STRIPING AND MARKINGS AS NOTED, INCLUDING RAISED PAVEMENT MARKERS.
- [RC] INSTALL RED CURB AS NOTED
- [IS] INSTALL/REMOVE SIGN LOCATION
- [RS] REMOVE SIGN AND POST AS NOTED
- [S] EXISTING SIGNALIZED INTERSECTION
- [○] PROPOSED SIGN (ONE POST)
- [○] EXISTING SIGN (ONE POST)
- [○] EXISTING SIGN (ON STREET LIGHT)
- [○] EXISTING STREET NAME SIGN
- SNS STREET NAME SIGN
- 12' PROPOSED WIDTH

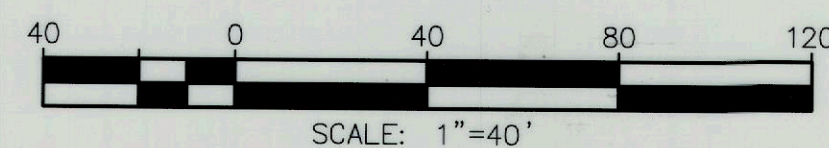
STREET NAME SIGN TABLE

INTERSECTION	SIGN No. 1	SIGN No. 2
MONTANA ST AT MISSOURI ST	Montana St 3300	Missouri St 2000
MONTANA ST AT MINNESOTA ST	Montana St 3300	Minnesota St 2000
DWIGHT AVE AT MINNESOTA ST	**Dwight Ave 3400	**Minnesota St 1900
DWIGHT AVE AT MISSOURI ST	Dwight Ave 3300	Missouri St 1900

**2 PANELS EACH STREET NAME SIGN AND POST PER STANDARD DRAWING No. 662



MATCHLINE SEE SHEET No. 2



Under Ground Service Alert
of Southern California
Call: TOLL FREE
1-800
227-2600
TWO WORKING DAYS BEFORE YOU DIG

ENGINEER IN RESPONSIBLE CHARGE
NATHAN T. MUSTAFA
R.C.E. No. 83654 EXPIRES: 3-31-23
DATE: 3-25-2021

PROFESSIONAL REGISTERED ENGINEER
NATHAN T. MUSTAFA
No. 83654
Exp. 03-31-23
CIVIL
STATE OF CALIFORNIA

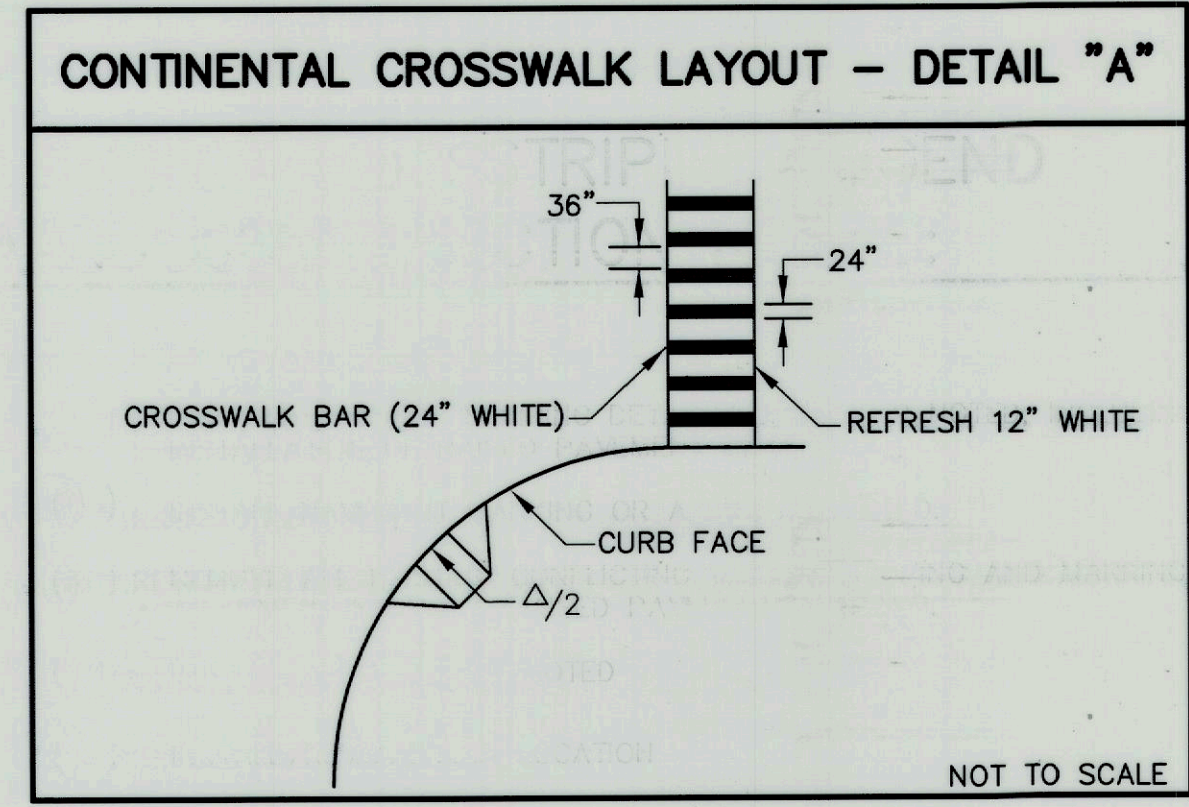
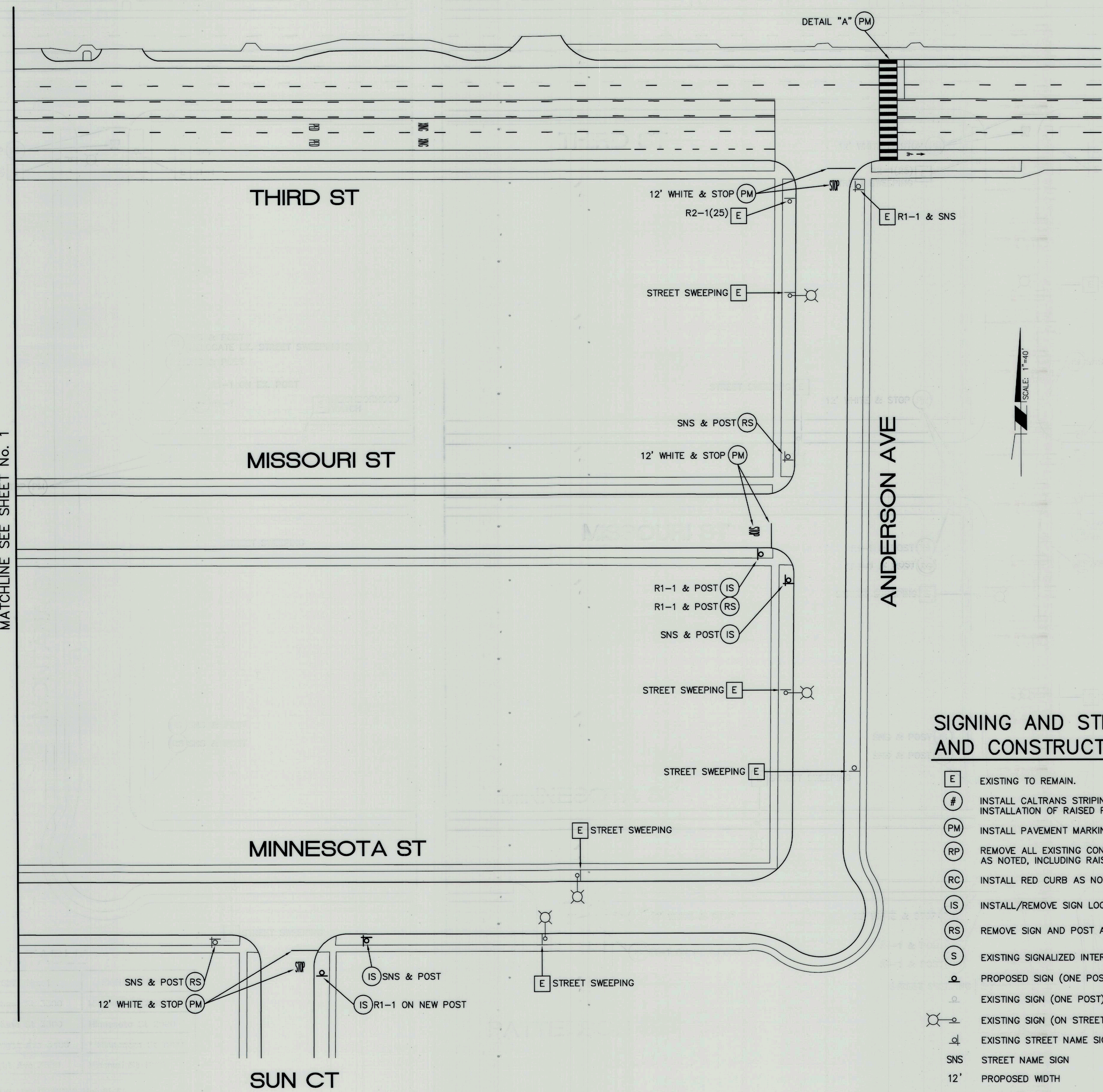
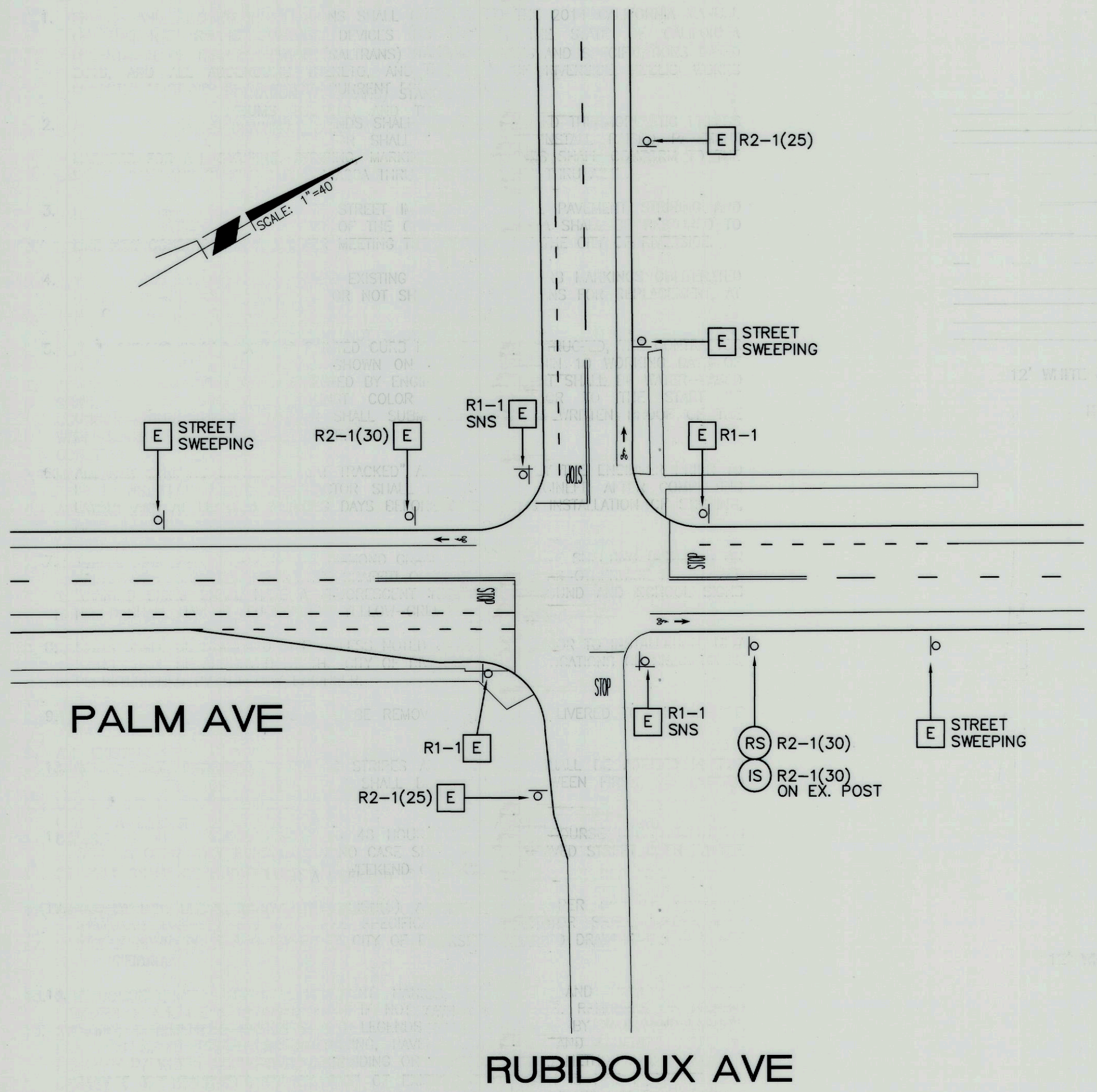
MARK	REVISIONS	APPR.	DATE

CITY OF RIVERSIDE, CALIFORNIA
DEPARTMENT OF PUBLIC WORKS

APPROVED BY	BY	DATE	APPROVED BY
ENGINEERING MANAGER	FM	3/25/21	CITY ENGINEER
PRINCIPAL ENGINEER			
TRAFFIC DIVISION			
CONSTRUCTION ADMIN.	DC	3/30/21	DATE: MARCH 25, 2021

SIGNING AND STRIPING PLAN
MONTANA STREET,
MISSOURI ST, MINNESOTA ST,
AND DWIGHT AVE
SCALE: 1" = 40'

XL-812
SHEET 1 OF 4
FILE NAME: XL-812.DWG

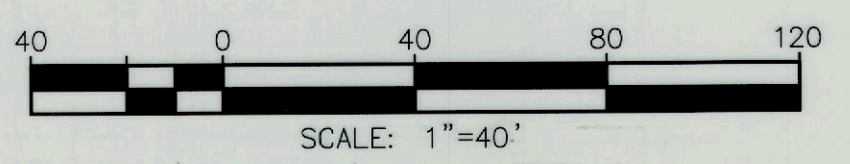


STREET NAME SIGN TABLE

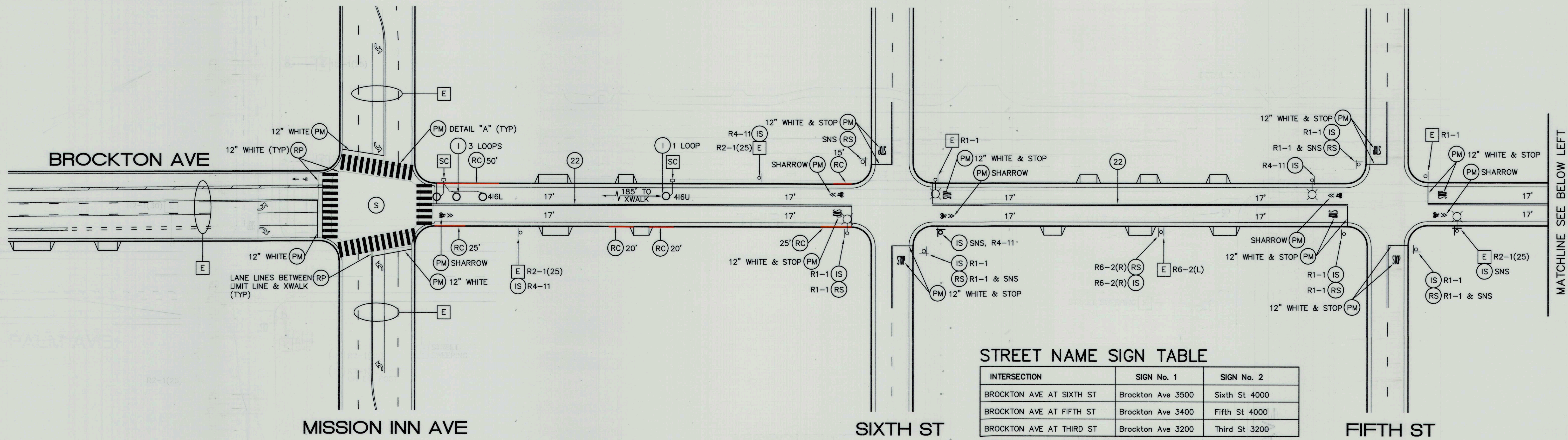
INTERSECTION	SIGN No. 1	SIGN No. 2
MINNESOTA ST AT SUN CT	Minnesota St 1900	Sun Ct 3400
MISSOURI ST AT ANDERSON AVE	Missouri St 1800	Anderson Ave 3300

STREET NAME SIGN AND POST PER STANDARD DRAWING No. 662

- SIGNING AND STRIPING LEGEND AND CONSTRUCTION NOTES:**
- [E] EXISTING TO REMAIN.
 - [#] INSTALL CALTRANS STRIPING DETAIL PER NUMBER NOTED, INCLUDING INSTALLATION OF RAISED PAVEMENT MARKERS.
 - [PM] INSTALL PAVEMENT MARKING OR ARROW AS NOTED.
 - [RP] REMOVE ALL EXISTING CONFLICTING TRAFFIC STRIPING AND MARKINGS AS NOTED, INCLUDING RAISED PAVEMENT MARKERS.
 - [RC] INSTALL RED CURB AS NOTED
 - [IS] INSTALL/REMOVE SIGN LOCATION
 - [RS] REMOVE SIGN AND POST AS NOTED
 - [S] EXISTING SIGNALIZED INTERSECTION
 - [P] PROPOSED SIGN (ONE POST)
 - [O] EXISTING SIGN (ONE POST)
 - [L] EXISTING SIGN (ON STREET LIGHT)
 - [A] EXISTING STREET NAME SIGN
 - SNS STREET NAME SIGN
 - 12' PROPOSED WIDTH



			CITY OF RIVERSIDE, CALIFORNIA DEPARTMENT OF PUBLIC WORKS		SIGNING AND STRIPING PLAN MONTANA STREET, MISSOURI ST, MINNESOTA ST, AND DWIGHT AVE SCALE: 1" = 40'	XL-812 SHEET 2 OF 4 FILE NAME: XL-812.DWG
			APPROVED BY: <i>Fm</i> DATE: 3/25/21 ENGINEERING MANAGER PRINCIPAL ENGINEER	APPROVED BY: <i>[Signature]</i> DATE: March 29, 2021 CITY ENGINEER		
DESIGNED BY: XXXX DRAWN BY: XXXX CHECKED BY: GMH			TRAFFIC DIVISION: DC DATE: 3/30/21 CONSTRUCTION ADMIN.			



STREET NAME SIGN TABLE

INTERSECTION	SIGN No. 1	SIGN No. 2
BROCKTON AVE AT SIXTH ST	Brockton Ave 3500	Sixth St 4000
BROCKTON AVE AT FIFTH ST	Brockton Ave 3400	Fifth St 4000
BROCKTON AVE AT THIRD ST	Brockton Ave 3200	Third St 3200

STREET NAME SIGN AND POST PER STANDARD DRAWING No. 662

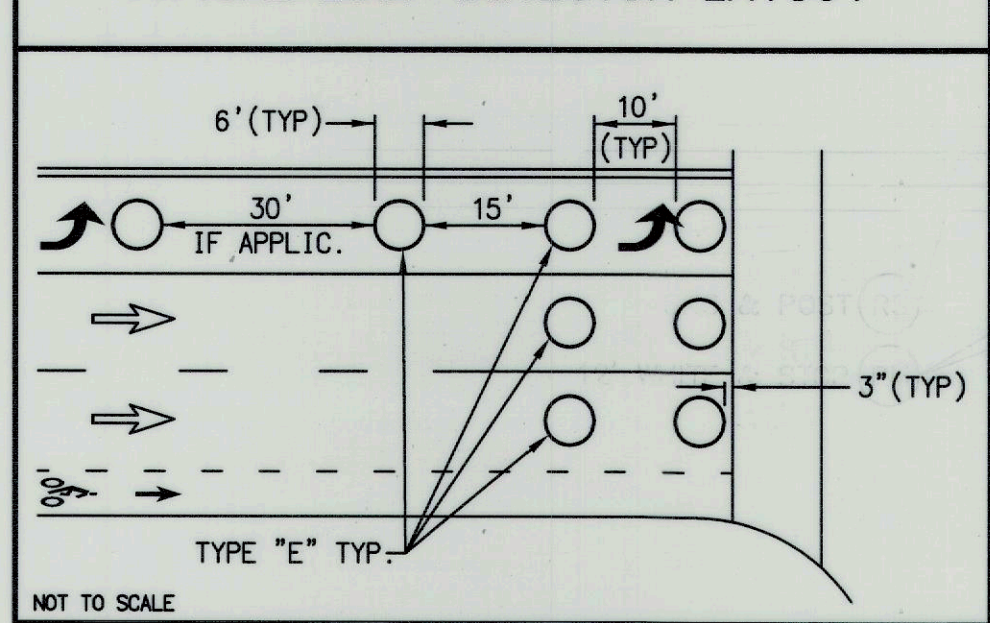
LOOP, DLC, AND SPLICE QUANTITIES - THIS SHEET

ITEM	DESCRIPTION	UNIT	SUBTOTAL
1	TYPE "E" LOOP DETECTOR	EA	4
2	DLC - DETECTOR LOOP CABLE	LF	65
3	SC - SPLICE NEW TO EXISTING	EA	2

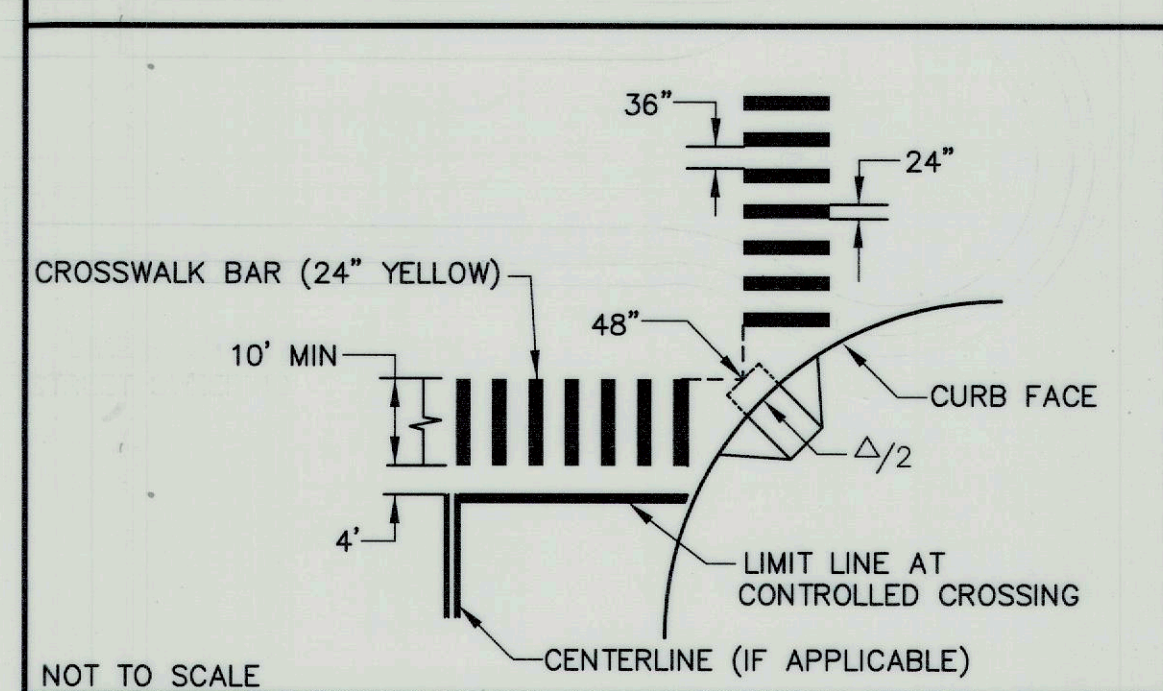
SIGNING AND STRIPING LEGEND AND CONSTRUCTION NOTES:

- [E] EXISTING TO REMAIN.
- [#] INSTALL CALTRANS STRIPING DETAIL PER NUMBER NOTED, INCLUDING INSTALLATION OF RAISED PAVEMENT MARKERS.
- [PM] INSTALL PAVEMENT MARKING OR ARROW AS NOTED.
- [RP] REMOVE ALL EXISTING CONFLICTING TRAFFIC STRIPING AND MARKINGS AS NOTED, INCLUDING RAISED PAVEMENT MARKERS.
- [RC] INSTALL RED CURB AS NOTED
- [IS] INSTALL/REMOVE SIGN LOCATION
- [RS] REMOVE SIGN AND POST AS NOTED
- [S] EXISTING SIGNALIZED INTERSECTION
- [P] PROPOSED SIGN (ONE POST)
- [E] EXISTING SIGN (ONE POST)
- [E] EXISTING SIGN (ON STREET LIGHT)
- [S] EXISTING STREET NAME SIGN
- [SNS] STREET NAME SIGN
- [12'] PROPOSED WIDTH

TYPICAL LOOP DETECTOR LAYOUT



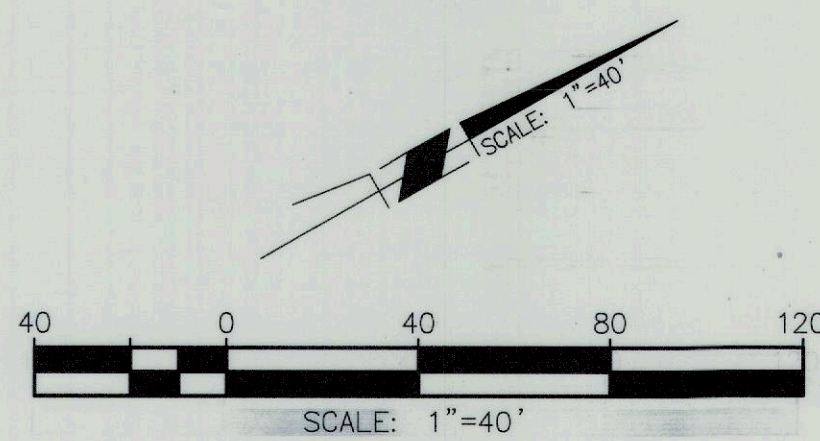
CONTINENTAL CROSSWALK LAYOUT - DETAIL "A"



MATCHLINE SEE ABOVE RIGHT

MATCHLINE SEE SHEET No. 4

MATCHLINE SEE BELOW LEFT



Under Ground Service Alert
of Southern California
Call: TOLL FREE 1-800 227-2600
TWO WORKING DAYS BEFORE YOU DIG

ENGINEER IN RESPONSIBLE CHARGE
NATHAN T. MUSTAFA
R.C.E. No. 83654 EXPIRES: 3-31-23
DATE: 3-25-2021

DESIGNED BY: XXX DRAWN BY: XXX CHECKED BY: GMH

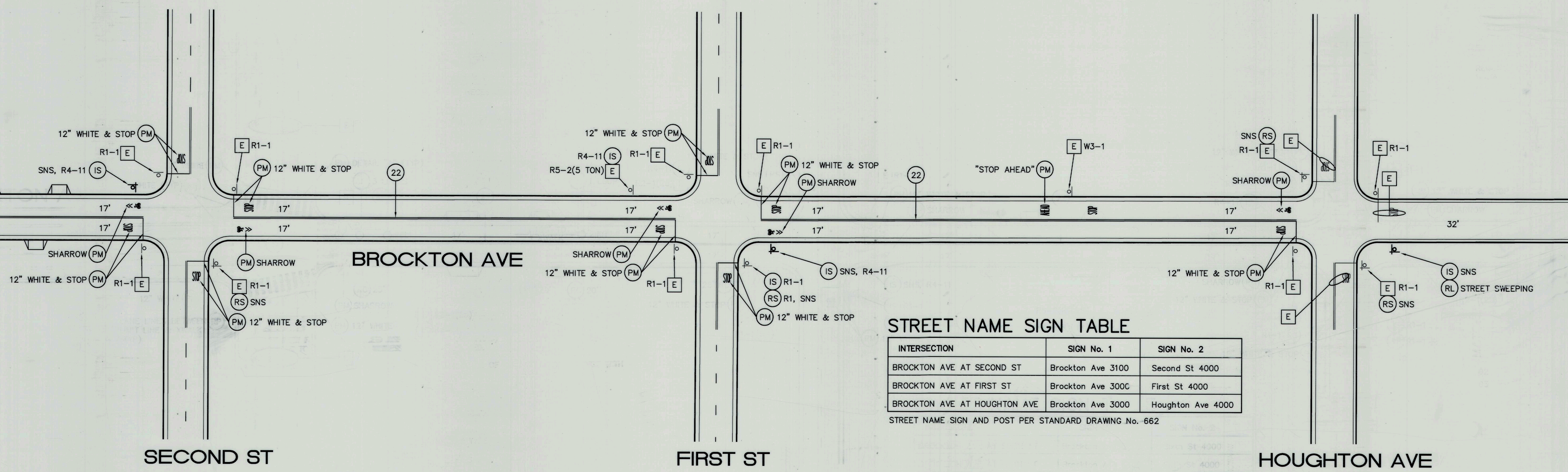
CITY OF RIVERSIDE, CALIFORNIA DEPARTMENT OF PUBLIC WORKS

APPROVED BY	DATE	APPROVED BY	DATE
ENGINEERING MANAGER	Fm 3/25/21	CITY ENGINEER	3/25/21
PRINCIPAL ENGINEER			
TRAFFIC DIVISION			
CONSTRUCTION ADMIN.	DC 3/30/21		

SIGNING AND STRIPING PLAN
BROCKTON AVENUE
MISSION INN AVENUE TO
HOUGHTON AVENUE
SCALE: 1" = 40'

XL-812
SHEET 3 OF 4
FILE NAME: XL-B12.DWG

MATCHLINE SEE SHEET No. 3



STREET NAME SIGN TABLE

INTERSECTION	SIGN No. 1	SIGN No. 2
BROCKTON AVE AT SECOND ST	Brockton Ave 3100	Second St 4000
BROCKTON AVE AT FIRST ST	Brockton Ave 3000	First St 4000
BROCKTON AVE AT HOUGHTON AVE	Brockton Ave 3000	Houghton Ave 4000

STREET NAME SIGN AND POST PER STANDARD DRAWING No. 662

SECOND ST

FIRST ST

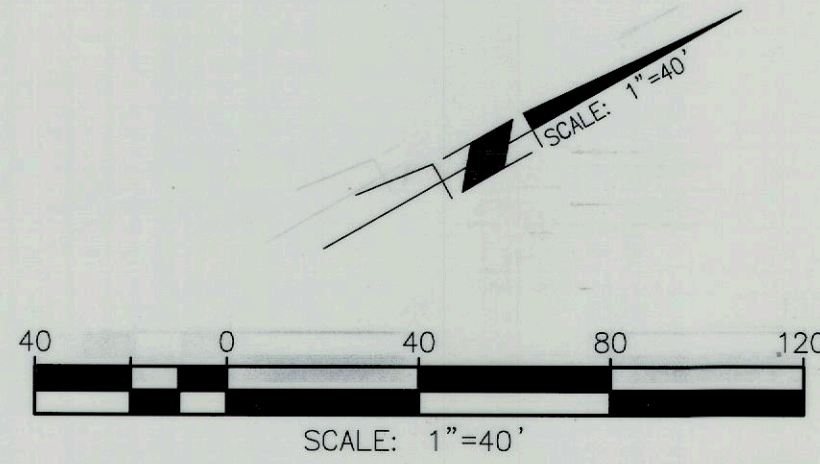
HOUGHTON AVE

STRIPING/SIGNAGE QUANTITIES - XL-812

ITEM	DESCRIPTION	UNIT	SHEET 1	SHEET 2	SHEET 3	SHEET 4	SUBTOTAL
1	DETAIL 22	LF	0	0	2950	1860	4810
2	12" SOLID WHITE	SF	135	195	345	150	825
3	PAVEMENT LEGENDS/MARKINGS - WHITE	SF	176	66	455.5	308.5	1006
4	PAVEMENT LEGENDS CROSSWALK - WHITE	SF	280	0	1440	0	1720
5	PAINT RED CURB	LF	0	0	175	0	175
6	REMOVE PAVEMENT MARKING	SF	0	0	420	0	420
7	REMOVE LANE LINE STRIPING	LF	0	0	60	0	60
8	ROADSIDE SIGN - ONE POST	EA	5	2	0	0	7
9	ROADSIDE SIGN - NO POST	EA	1	1	17	4	23
10	SNS - ONE POST	EA	5	2	1	2	10
11	SNS - NO POST	EA	0	0	2	1	3
12	REMOVE SIGN - ONE POST	EA	9	3	0	0	12
13	REMOVE SIGN - NO POST	EA	1	1	13	5	20
14	RELOCATE SIGN(S) - NO POST	EA	0	0	0	1	1

SIGNING AND STRIPING LEGEND AND CONSTRUCTION NOTES:

- [E] EXISTING TO REMAIN.
- # INSTALL CALTRANS STRIPING DETAIL PER NUMBER NOTED, INCLUDING INSTALLATION OF RAISED PAVEMENT MARKERS.
- (PM) INSTALL PAVEMENT MARKING OR ARROW AS NOTED.
- (RP) REMOVE ALL EXISTING CONFLICTING TRAFFIC STRIPING AND MARKINGS AS NOTED, INCLUDING RAISED PAVEMENT MARKERS.
- (RC) INSTALL RED CURB AS NOTED
- (IS) INSTALL/REMOVE SIGN LOCATION
- (RS) REMOVE SIGN AND POST AS NOTED
- (RL) RELOCATE SIGN AS NOTED
- ⊙ PROPOSED SIGN (ONE POST)
- ⊙ EXISTING SIGN (ONE POST)
- ⊙ EXISTING SIGN (ON STREET LIGHT)
- ⊙ EXISTING STREET NAME SIGN
- SNS STREET NAME SIGN
- 12' PROPOSED WIDTH



Under Ground Service Alert
of Southern California
Call: TOLL FREE 1-800-227-2600
TWO WORKING DAYS BEFORE YOU DIG

ENGINEER IN RESPONSIBLE CHARGE
NATHAN T. MUSTAFA
R.C.E. No. 83654 EXPIRES: 3-31-23
DATE: 3-25-2021

REGISTERED PROFESSIONAL ENGINEER
NATHAN T. MUSTAFA
No. 83654
Exp. 03-31-23
CIVIL
STATE OF CALIFORNIA

DESIGNED BY	XXX	DRAWN BY	XXX	CHECKED BY	GMH
-------------	-----	----------	-----	------------	-----

CITY OF RIVERSIDE, CALIFORNIA
DEPARTMENT OF PUBLIC WORKS

APPROVED BY	BY	DATE	APPROVED BY
ENGINEERING MANAGER	FM	3/25/21	CITY ENGINEER
PRINCIPAL ENGINEER			
TRAFFIC DIVISION			
CONSTRUCTION ADMIN.	DC	3/30/21	DATE: MARCH 25, 2021

SIGNING AND STRIPING PLAN
BROCKTON AVENUE
MISSION INN AVENUE TO
HOUGHTON AVENUE
SCALE: 1" = 40'

XL-812
SHEET 4 OF 4
FILE NAME: XL-812.DWG