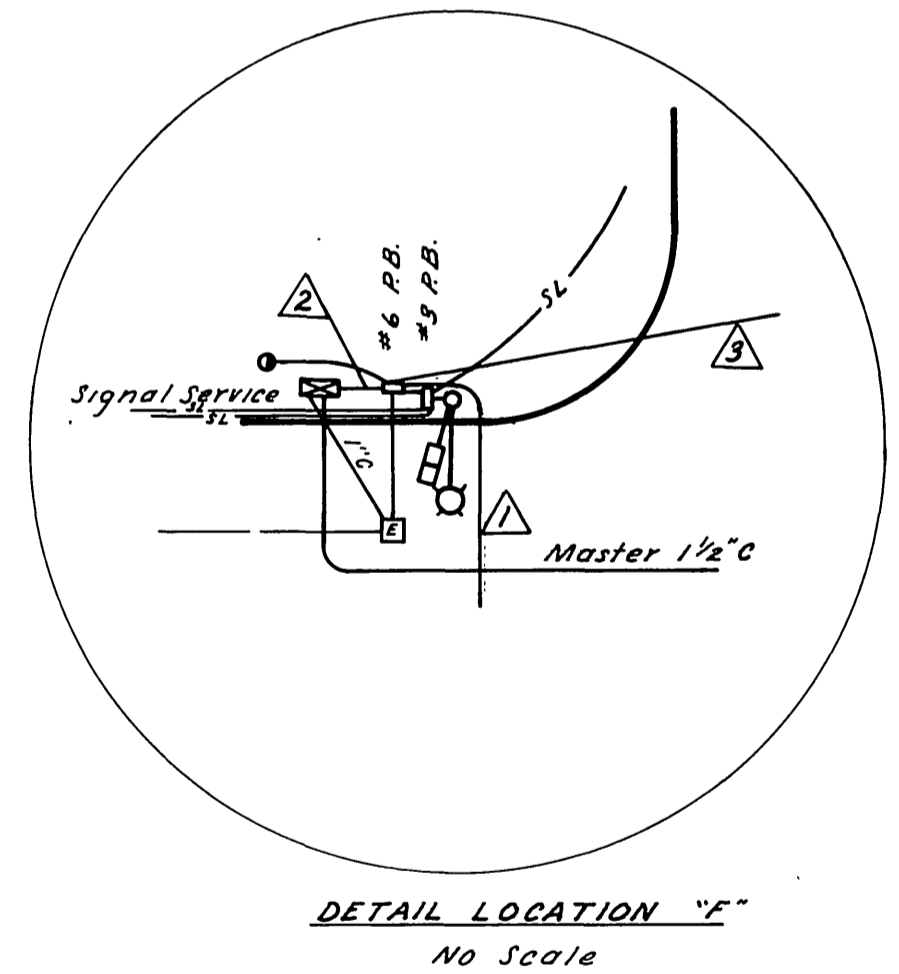
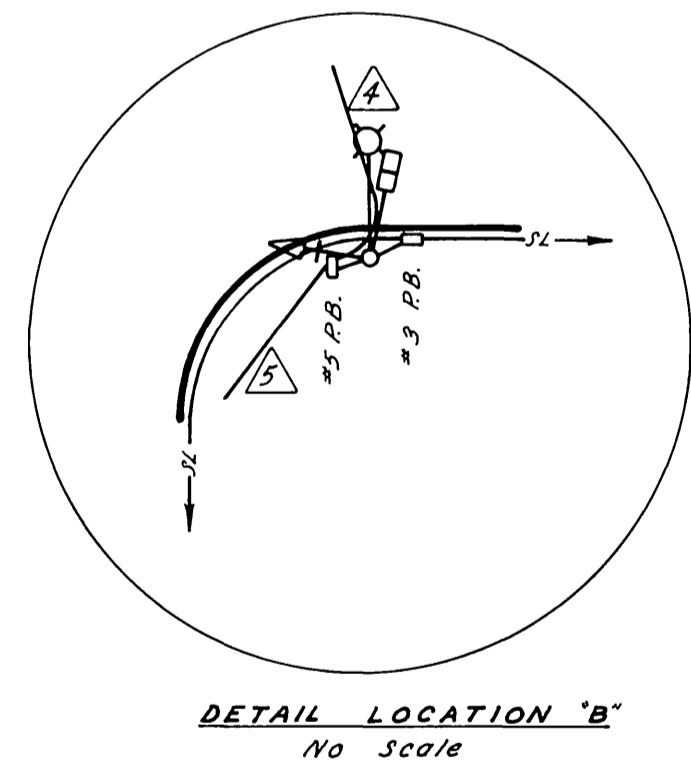
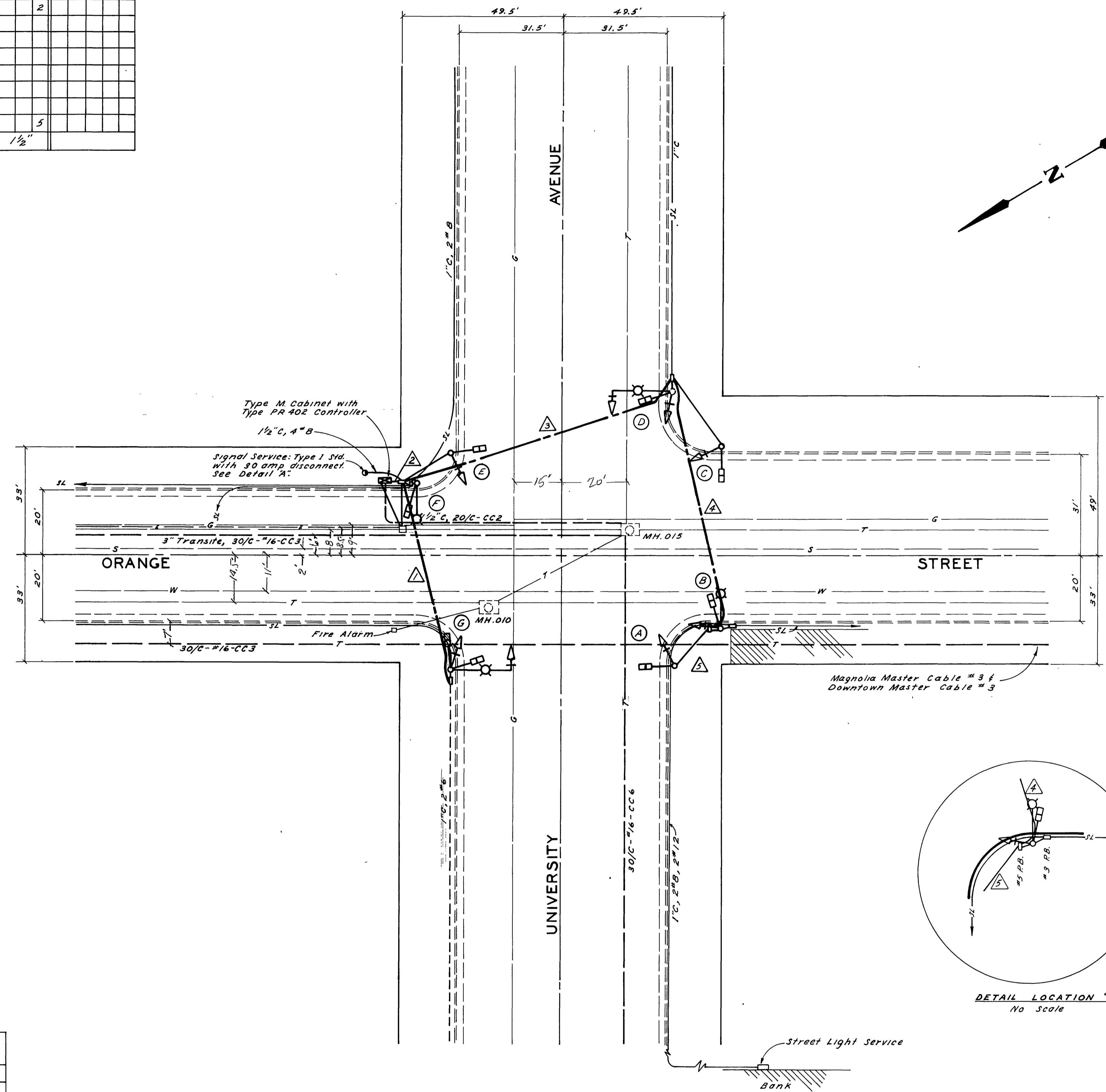
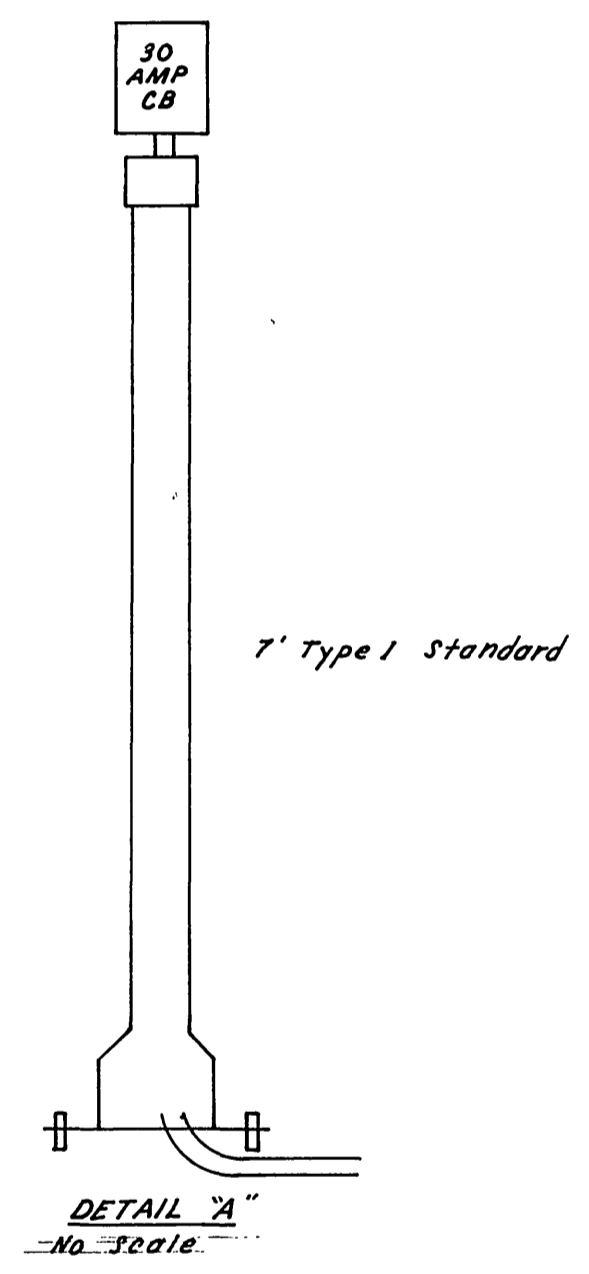
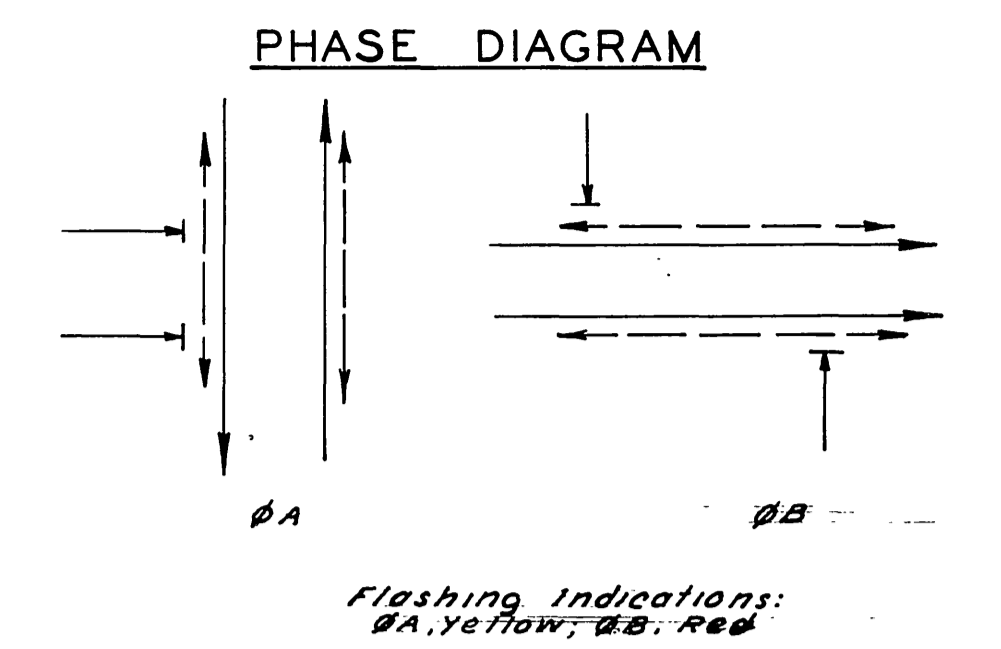


CONDUCTOR SCHEDULE															
CONDUCTOR RUN	A			B			C			D			E		
CONDUCTORS	Ø 10	12	1 1/2	Ø 10	12	1 1/2	Ø 10	12	1 1/2	Ø 10	12	1 1/2	Ø 10	12	1 1/2
Ø A			3			9			3			3			3
Ø B						3			3						3
Ø A W-DW			2			4			2			2			
Ø B W-DW			2			6			2			2			2
120V Neutral	1			1			1			1			1		
Luminaire	2														
Spares			3			3			3			3			3
TOTAL CONDUCTORS	2	1	10	1		25	1		13	1		13	1		5
CONDUIT SIZE	1 1/2"			3"			1 1/2"			1 1/2"			1 1/2"		



POLE AND SIGNAL SCHEDULE							
LOCATION	STANDARD	LUMINAIRE	SIGNALS			WALK-DON'T WALK	
			TYPE	MTG.	LENS SIZE	TYPE	MTG.
A	10' Type 1		1-W3C	A-1	3-8"	1-W2C	W-0 (left hand)
B	45DB	10,000MV	1-W3C	B-1	3-12"	1-W2C	W-0
C	10' Type 1		1-W3C	A-1	3-12"	1-W2C	W-0
D	55ABG18	20,000MV	1-W3C 1-W3C	B-1 M-2, 20MA.	3-8" 3-12"	1-W2C	W-0
E	10' Type 1		1-W3C	A-1	3-8"	1-W2C	W-0
F	45DB	10,000MV				1-W2C	W-0
G	55ABG18	20,000MV	1-W3C 1-W3C	B-1 M-2, 20MA.	3-8" 3-12"	1-W2C	W-3

CITY OF RIVERSIDE, CALIFORNIA DEPARTMENT OF PUBLIC WORKS				TRAFFIC SIGNALS UNIVERSITY AVENUE AND ORANGE STREET		PROJECT NO. X-138
APPROVED BY	BY	DATE	APPROVED BY	DATE	SHEET	OF
As Built (Redesign of Signals)	JMW	7-5-68	DIRECTOR OF PUBLIC WORKS			
REVISIONS	APPR.	DATE	ASSISTANT CITY ENG.	DATE		
DRAWN BY: JMW. CHECKED BY:			HORIZ. SCALE: 1" = 20'		VERT. SCALE: 1" =	
			FILE NO.			