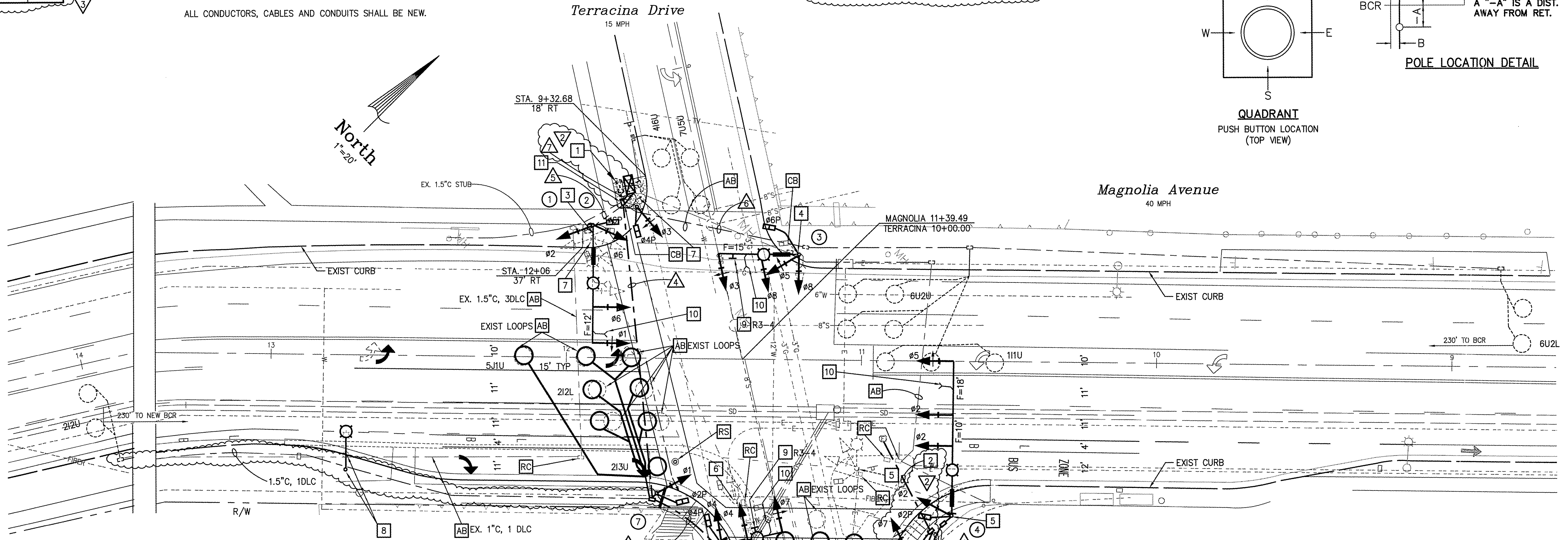
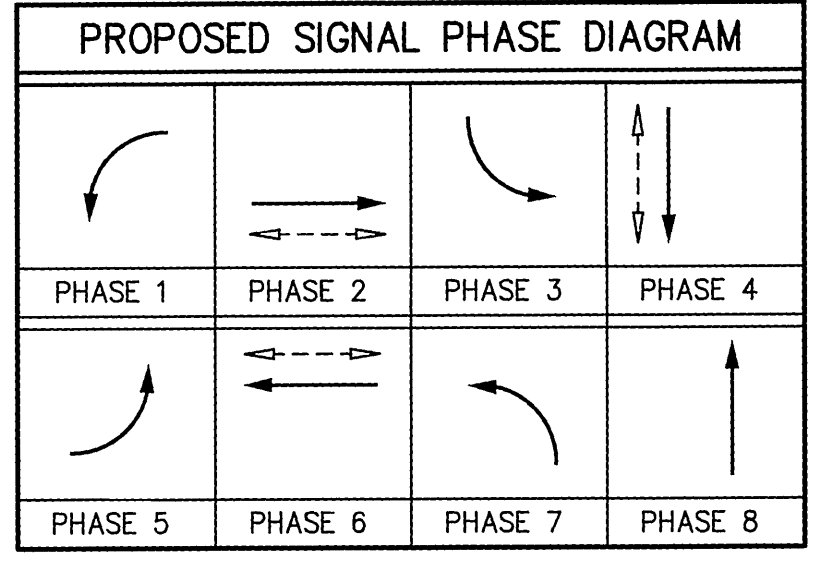
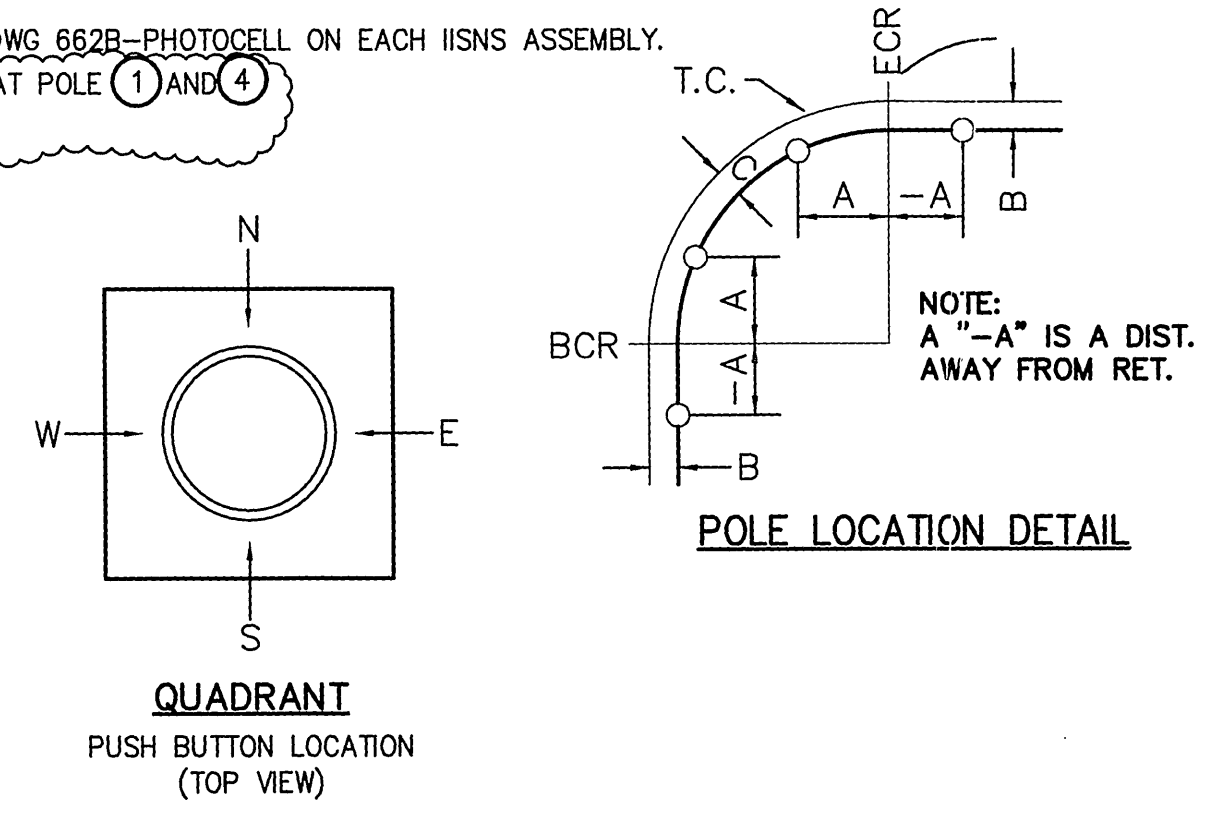


CONDUCTOR SCHEDULE								
AWG	POLE	RUNS						
		1	2	3	4	5	6	7
12c CABLE 3c CABLE	1 #1, #6, #2, #6P / #6					2/1		2/1
	2 #3#4, #4P / #6							1/1
	3 #3, #8, #5, #6P / #6						2/1	2/1
	4 #2, #5, #2P	1/-	1/-	1/-	1/-			1/-
	5 #7 / #2		1/1	1/1	1/1			1/1
	6 #4, #7, #4P / #2			1/1	1/1			1/1
	7 #1, #2P / #4				1/1			1/1
TOTAL		1/1	2/2	3/3	4/4	1/1	2/1	7/7
#12	I.I.S.N.S.	2	2	2	2	2	2	4
8 (BLACK)	LUMINAIRES	2	2	2	2	2	2	4
	OPTICOM CABLE (EVP)	1	1	2	2	1	1	4
	#6 (RED) (WHITE)		2	2	2			2

CONDUCTOR SCHEDULE (CONTINUED)								
AWG	POLE	RUNS						
		1	2	3	4	5	6	7
LOOP DET. CABLE TYPE B	#1						1	1
	#2						2	2
	#3		1	1	1			1
	#4							1
	#5				1			1
	#6						2	2
	#7							1
	#8			2	2	2		2
TOTAL			3	3	4	2	3	11
6PR# 22	SIGNAL INTERCONNECT						1	
	CONDUIT SIZE	2"	3"	3"	3"	3"	3"	2-3"

No.	TYPE	POLE				SCHEDULE								REMARKS		
		STANDARD	HEIGHT	SIGNAL	LUM	HPSV LUMINAIRE	S.N.S. SEE REMARKS	VEHICLE		PED	PHASE	QUAD	ARW		LOCATION	
								SV-2-T	SP-1-T						A	B
1	26-4-129	30'	40'	15'	(N) 250W		MAS (N)	SV-2-T	SP-1-T	4	E		8'	3'	ISNS. SEE NOTE 3 BELOW.	
2	1-A	10'						TV-1-T	SP-1-T	6	S		9'	2.5'		
3	19-4-129	30'	30'	12'	(N) 250W		2-MAS (N)	SV-2-T	SP-1-T	6	W		7'	2'	SNS. SEE NOTE 5 AND 6.	
4	29-5-129	30'	50'	12'	(N) 250W		MAS, MAS	SV-1-T	SP-1-T						ISNS. SEE NOTE 3 BELOW.	
5	1-A	10'						TV-1-T	SP-1-T	2	N		13'	7'		
6	19-4-129	30'	25'	12'	(N) 250W		2-MAS (N)	SV-2-TA	SP-1-T	2	N		7'	3'	SNS. SEE NOTE 5 AND 6.	
7	1-A	10'						TV-1-T	SP-1-T	4	E		6'	3'		

- ALL EQUIPMENT IS EXISTING UNLESS OTHERWISE NOTED (N) = NEW; (R) = RELOCATED; (M) = MODIFY
- INSTALL WIRING FOR I.I.S.N.S. TO POLES 1, 4.
- PROVIDE I.I.S.N.S. FOR POLE (4) AND (1) WITH BLANK DIAMOND GRADE PANELS. *CITY DWG 662B-PHOTOCELL ON EACH ISNS ASSEMBLY.
- ALL HEADS AND MOUNTINGS SHALL BE NEW. REUSE PED HEADS WITH NEW MOUNTINGS AT POLE (1) AND (4)
- PROVIDE 17"x44" SIGN MOUNT - TOTAL 2.
- PROVIDE 24"x72" - TOTAL 4 ALUMINUM SIGN BLANKS.
- ITEMS 3, 5 AND 6 SHALL BE DELIVERED TO CITY SIGN SHOP AND INSTALLED AFTER APPLICATION OF LEGENDS.
- PROVIDE AND INSTALL NEW ADA COMPLIANT PPB.



- CONSTRUCTION NOTES:**
- REPLACE EXISTING CONTROLLER AND CABINET WITH TYPE 170E CONTROLLER IN 332 CABINET ON NEW FOUNDATION. CONTRACTOR SHALL FURNISH AND INSTALL ALL APPURTENANCES FOR THE INTENDED OPERATION. REUSE EXISTING 1/C CABLE AND CONDUIT.
 - INSTALL NEW 3"C, 3#8 FROM EXISTING ELECTRICAL VAULT TO CONNECT SERVICE TO PULLBOX ON SIDEWALK PER RIVERSIDE CITY DRAWING 667.
 - EXISTING 56DB POLE, MAST ARM TO CITY YARD. FURNISH AND INSTALL NEW EQUIPMENT PER THE POLE SCHEDULE. RELOCATE REGULATORY SIGNS AND ALL POLE EQUIPMENT TO NEW POLE AS SHOWN ON THIS SHEET. REMOVE FOUNDATION COMPLETE.
 - EXISTING 1A AND TV-1-T TO CITY YARD. FURNISH AND INSTALL NEW EQUIPMENT PER THE POLE SCHEDULE. REMOVE FOUNDATION COMPLETE.
 - EXISTING 56DB POLE, MAST ARM, TO CITY YARD. FURNISH AND INSTALL NEW EQUIPMENT PER THE POLE SCHEDULE. RELOCATE REGULATORY SIGNS AND ALL POLE EQUIPMENT TO NEW LOCATION (4) AS SHOWN ON THIS SHEET. REMOVE FOUNDATION COMPLETE.
 - EXISTING 1-A AND TV-1-T TO NEW LOCATION (7) AS SHOWN ON THIS PLAN. FURNISH AND INSTALL NEW EQUIPMENT PER THE POLE SCHEDULE. REMOVE FOUNDATION COMPLETE.
 - INSTALL 6" P.C.C. SIDEWALK PER PLAN.
 - RELOCATE STREET LIGHT BY OTHERS.
 - INSTALL SIGN ON MAST ARM AS SHOWN.
 - INSTALL EVP UNITS PER MANUFACTURER'S SPECIFICATIONS.
 - REPLACE EXISTING PULLBOX WITH NEW #6E PB.

- GENERAL NOTES:**
- TRAFFIC SIGNAL AND LIGHTING SHALL CONFORM TO THE STATE OF CALIFORNIA STANDARD SPECIFICATIONS SECTION 86 AND STANDARD PLANS (DATED JULY 1999).
 - LOCATIONS OF ALL UNDERGROUND UTILITIES ARE APPROXIMATE. THE CONTRACTOR SHALL DETERMINE THE EXACT LOCATIONS AND VERIFY ALL CONDITIONS ON THE JOB SITE. CONTRACTOR SHALL HAND DIG FOUNDATIONS UNTIL CLEAR OF OBSTRUCTIONS. PHONE UNDERGROUND SERVICE ALERT AT 800/227-2600, TWO WORKING DAYS BEFORE DIGGING.
 - ALL NEW VEHICLE INDICATIONS SHALL BE 12" WITH LED LENSES.
 - COORDINATE ELECTRIC SERVICE DETAILS AND SCHEDULING WITH THE CITY OF RIVERSIDE ELECTRIC UTILITY, THROUGH THE ENGINEER, WELL IN ADVANCE OF NEED.
 - TRAFFIC SIGNING AND STRIPING, LEGENDS AND DELINEATION SHALL CONFORM TO THE CALTRANS TRAFFIC MANUAL AND CALTRANS STANDARD PLANS, LATEST EDITION. PAVEMENT LEGENDS AND ARROWS SHALL BE THERMOPLASTIC.
 - ALL WORK, PROCEDURES, MATERIALS AND EQUIPMENT FOR TRAFFIC SIGNING AND STRIPING SHALL CONFORM TO THESE PLANS, THE STANDARDS AND SPECIFICATIONS OF THE CITY OF RIVERSIDE AND THE STANDARDS AND SPECIFICATIONS OF THE STATE OF CALIFORNIA.
 - OBTAIN APPROVAL FOR EXACT EQUIPMENT LOCATIONS PRIOR TO FINAL PLACEMENT.
 - ALL NEW PULLBOXES SHALL BE NO. 5 AND CONDUIT SHALL BE 2" RIGID METAL EXCEPT AS NOTED. RUN ALL CONDUCTORS AND CABLES INSIDE CONDUITS, PULLBOXES, POLES.

IMPORTANT NOTICE
 Section 4216/4217 of the Government Code requires a Dig Alert Identification Number to be issued before a Permit to Excavate will be valid. For your Dig Alert ID Number call CALL TOLL FREE TWO WORKING DAYS BEFORE YOU DIG UNDERGROUND SERVICE ALERT 1-800-227-2600

POLE SCHEDULE, SIGNAL HEAD CONTROLLER/SERVICE FOUNDATION/PB CONDUCTOR SCHEDULE CHANGE UPGRADE SIGNAL POLE AND LOCATION	JSW 5/10/06 JSW 5/10/06 JSW 5/10/06 JSW 10/12/06	CITY OF RIVERSIDE, CALIFORNIA DEPARTMENT OF PUBLIC WORKS	TRAFFIC SIGNAL MODIFICATION PLAN MAGNOLIA AVENUE AT TERRACINA DRIVE	ACCT. NO. X-201A SHEET 1 OF 1 FILE NAME:
DESIGNED BY: _____ DRAWN BY: _____ CHECKED BY: _____	APPROVED BY: _____ PRINCIPAL ENGINEER DATE: _____	APPROVED BY: _____ CITY ENGINEER DATE: _____	1" = 20' PLANS DESIGNED BY: _____ Katz, Okitsu & Associates <i>Traffic Engineers and Transportation Planners</i> 685 E. CARNEGIE DRIVE, SUITE 125 SAN BERNARDINO, CA 92408 Tel: 909.890.9693 Fax: 909.890.9694 www.katzokitsu.com	

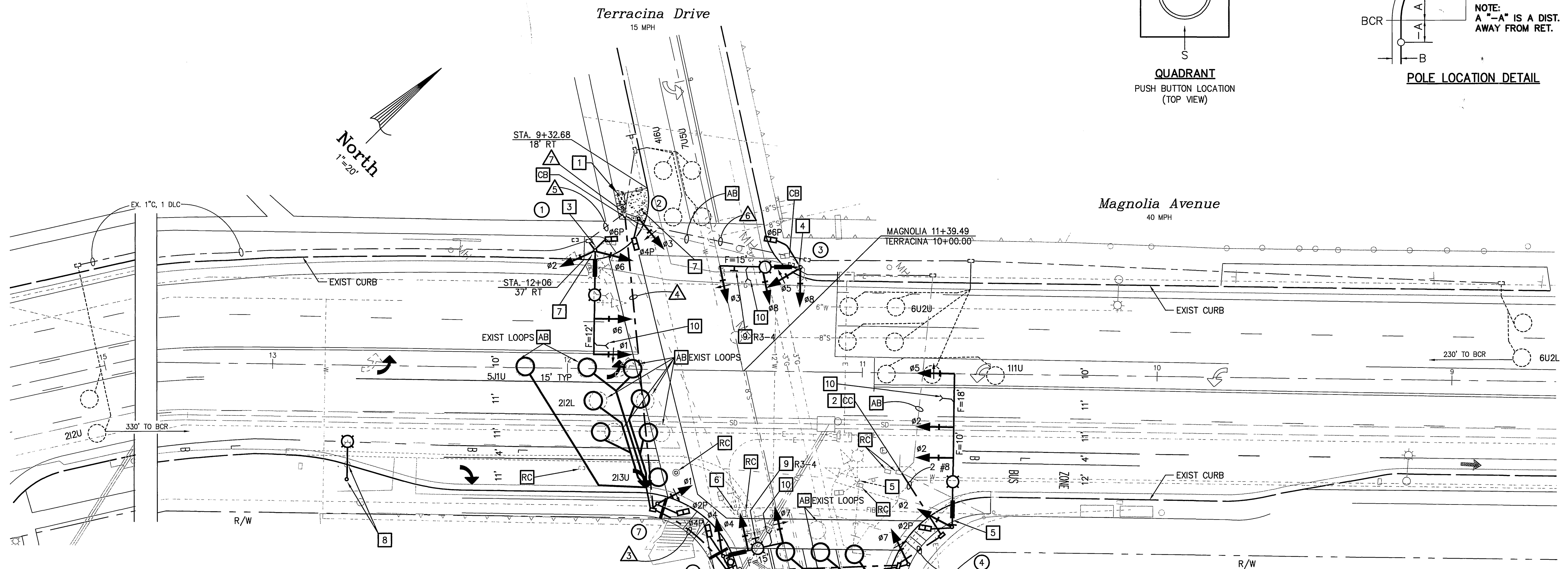
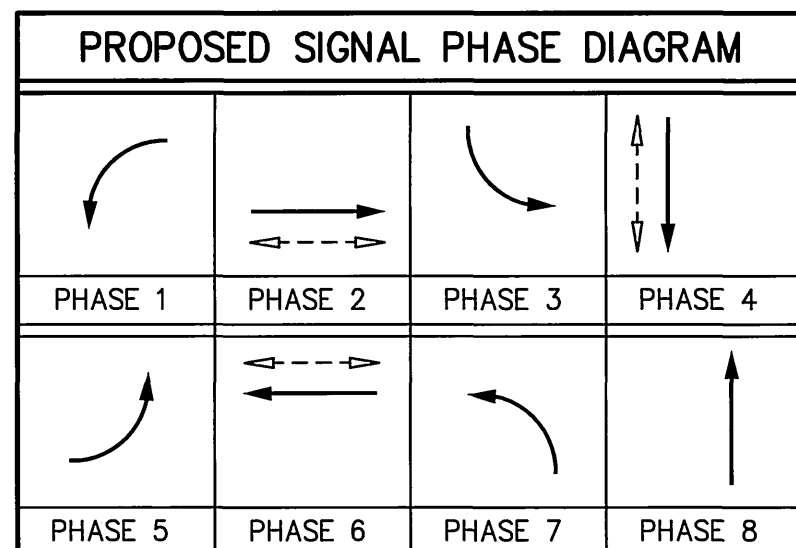
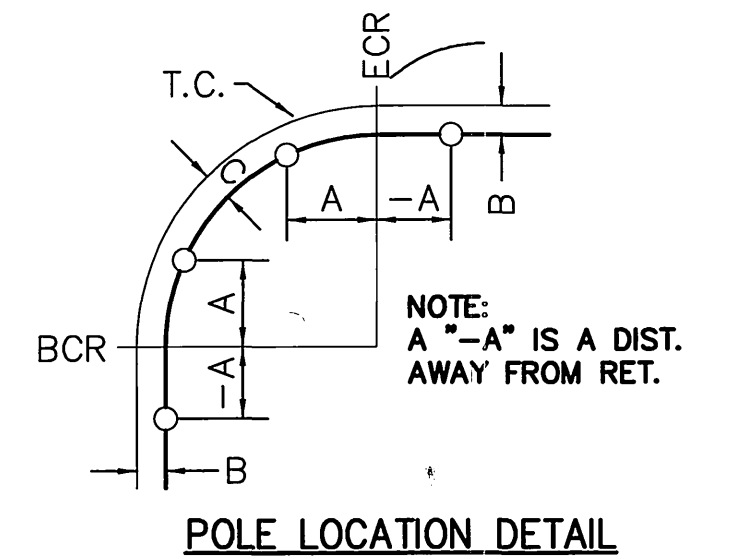
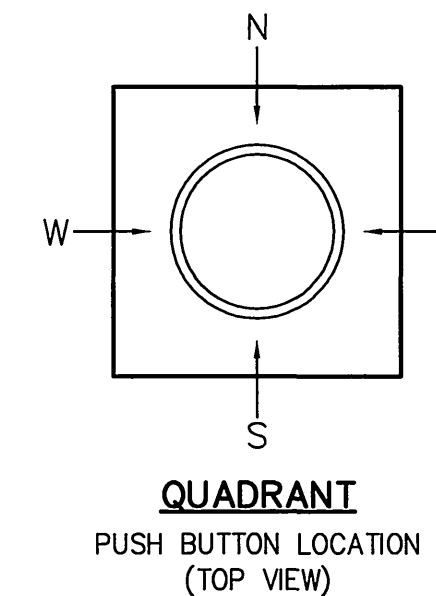
CONDUCTOR SCHEDULE								
AWG	POLE	RUNS						
		1	2	3	4	5	6	
12c C A B L E	1	01,06,02,06P/06				2/1	2/1	
	2	0304,04P/06					1/1	
	3	03,08,05,06P/06					2/1	
	4	02,05,02P	1/-	1/-	1/-	1/-		1/-
	5	07,02		1/1	1/1	1/1		1/1
	6	04,07,04P/02			1/1	1/1		1/1
	7	01,02P/04				1/1		1/1
	TOTAL	1/1	2/2	3/3	4/4	1/1	1/1	
#12	I.I.S.N.S.	2	2	2	2	2	4	
#10	LUMINAIRES	2	2	2	2	2	4	
	OPTICOM CABLE (EVP)	1	1	1	1	1	2	

CONDUCTOR SCHEDULE (CONTINUED)							
LOOP DET. CABLE TYPE B	01					1	1
	02					2	2
	03	1	1	1			1
	04						1
	05			1			1
	06					2	2
	07						1
	08	2	2	2			2
	TOTAL	3	3	4	2	3	11
6PR# 22	SIGNAL INTERCONNECT						
	CONDUIT SIZE						
	2"	3"	3"	3"	3"	3"	2-3"

ALL CONDUCTORS, CABLES AND CONDUITS SHALL BE NEW.

POLE SCHEDULE													
No.	TYPE	HEIGHT	MAST ARM		HPSV LUMINAIRE	I.I.S.N.S. (ON POLE)	SIGNAL MTGS			PED PHASE	PUSH BTN	LOCATION	REMARKS
			SIGNAL	LUM			VEHICLE	VEHICLE	VEHICLE				
1	24-4-129	30'	35'	15'	250W ^(N)	Terracina Drive	MAS (N)	SV-2-T	SP-1-T	4 ^(N)	E	-	EXISTING LOCATION, REMOVE FOUNDATION
2	1-A	10'						TV-1-T	SP-1-T	6 ^(N)	S	-	EXISTING LOCATION, REMOVE FOUNDATION
3	19-4-129	30'	30'	12'	250W ^(N)	Magnolia Ave	MAS (N)	SV-2-T	SP-1-T	6	W	-	EXISTING LOCATION, REMOVE FOUNDATION
4	29-5-129	30'	50'	12'	250W ^(N)	Terracina Drive	MAS, MAS	SV-1-T	SP-1-T			13' 7"	
5	1-A	10'						TV-1-T			N	15' 3"	
6	19-4-129	30'	25'	12'	250W ^(N)	Magnolia Ave	MAS (N)	SV-2-TA	SP-1-T	2	N	7' 3"	
7	1-A	10'						TV-1-T	SP-1-T	4	E	6' 3"	

ALL EQUIPMENT IS EXISTING UNLESS OTHERWISE NOTED (N) = NEW; (R) = RELOCATED; (M) = MODIFY
INSTALL WIRING FOR I.I.S.N.S. TO POLES 1, 3, 4, AND 6.
PROVIDED I.I.S.N.S. FOR POLES 1 AND 4 WITH BLANK PANELS.



CONSTRUCTION NOTES:

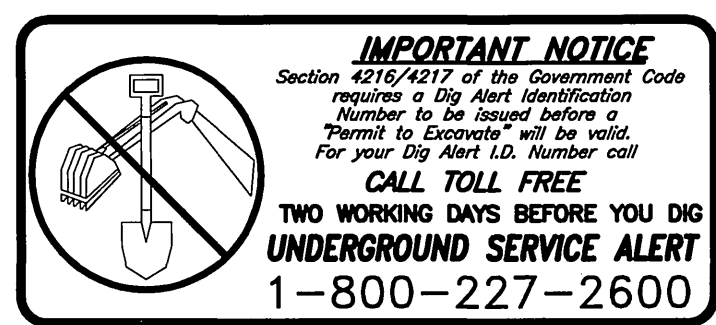
- REPLACE EXISTING CONTROLLER AND CABINET WITH TYPE 170E CONTROLLER IN 332 CABINET ON EXISTING FOUNDATION. CONTRACTOR SHALL FURNISH AND INSTALL ALL APPURTENANCES FOR THE INTENDED OPERATION.
- INSTALL NEW 3" C, 2#8 TO EXTEND EXIST SERVICE POINT TO PULLBOX ON SIDEWALK PER RIVERSIDE CITY STANDARDS.
- EXISTING 5608 POLE, MAST ARM TO CITY YARD. FURNISH AND INSTALL NEW EQUIPMENT PER THE POLE SCHEDULE. RELOCATE STREET NAME SIGN, REGULATORY SIGNS AND ALL POLE EQUIPMENT TO NEW LOCATION AS SHOWN ON THIS SHEET. REMOVE FOUNDATION COMPLETE.
- EXISTING 1A AND TV-1-T TO CITY YARD. FURNISH AND INSTALL NEW EQUIPMENT PER THE POLE SCHEDULE. REMOVE FOUNDATION COMPLETE.
- EXISTING 5608 POLE, MAST ARM, TO CITY YARD. FURNISH AND INSTALL NEW EQUIPMENT PER THE POLE SCHEDULE. RELOCATE STREET NAME SIGN, REGULATORY SIGNS AND ALL POLE EQUIPMENT TO NEW LOCATION AS SHOWN ON THIS SHEET. REMOVE FOUNDATION COMPLETE.
- EXISTING 1-A AND TV-1-T TO NEW LOCATION AS SHOWN ON THIS PLAN. FURNISH AND INSTALL NEW EQUIPMENT PER THE POLE SCHEDULE. REMOVE FOUNDATION COMPLETE.
- INSTALL 6" P.C.C. SIDEWALK PER PLAN.
- RELOCATE STREET LIGHT BY OTHERS.
- INSTALL SIGN ON MAST ARM AS SHOWN.
- INSTALL EVP UNITS PER MANUFACTURER'S SPECIFICATIONS.

GENERAL NOTES:

- TRAFFIC SIGNAL AND LIGHTING SHALL CONFORM TO THE STATE OF CALIFORNIA STANDARD SPECIFICATIONS SECTION 86 AND STANDARD PLANS (DATED JULY 1999).
- LOCATIONS OF ALL UNDERGROUND UTILITIES ARE APPROXIMATE. THE CONTRACTOR SHALL DETERMINE THE EXACT LOCATIONS AND VERIFY ALL CONDITIONS ON THE JOB SITE. CONTRACTOR SHALL HAND DIG FOUNDATIONS UNTIL CLEAR OF OBSTRUCTIONS. PHONE UNDERGROUND SERVICE ALERT AT 800/422-4133. TWO WORKING DAYS BEFORE DIGGING.
- ALL NEW VEHICLE INDICATIONS SHALL BE 12" WITH LED LENSES.
- COORDINATE ELECTRIC SERVICE DETAILS AND SCHEDULING WITH THE CITY OF RIVERSIDE ELECTRIC UTILITY, THROUGH THE ENGINEER, WELL IN ADVANCE OF NEED.
- TRAFFIC SIGNING AND STRIPING, LEGENDS AND DELINEATION SHALL CONFORM TO THE CALTRANS TRAFFIC MANUAL AND CALTRANS STANDARD PLANS, LATEST EDITION. PAVEMENT LEGENDS AND ARROWS SHALL BE THERMOPLASTIC.
- ALL WORK, PROCEDURES, MATERIALS AND EQUIPMENT FOR TRAFFIC SIGNING AND STRIPING SHALL CONFORM TO THESE PLANS, THE STANDARDS AND SPECIFICATIONS OF THE CITY OF RIVERSIDE AND THE STANDARDS AND SPECIFICATIONS OF THE STATE OF CALIFORNIA.
- OBTAIN APPROVAL FOR EXACT EQUIPMENT LOCATIONS PRIOR TO FINAL PLACEMENT.
- ALL NEW PULLBOXES SHALL BE No. 5 AND CONDUIT SHALL BE 2" RIGID METAL EXCEPT AS NOTED. RUN ALL CONDUCTORS AND CABLES INSIDE CONDUITS, PULLBOXES, POLES AND MASTARMS.



PLANS DESIGNED BY: *[Signature]* DATE: 3/17/06
Katz, Okitsu & Associates
 Traffic Engineers and Transportation Planners
 685 E. CARNEGIE DRIVE, SUITE 125
 SAN BERNARDINO, CA 92408
 Tel: 909.890.9693 Fax: 909.890.9694
 www.katzokitsu.com



CITY OF RIVERSIDE, CALIFORNIA DEPARTMENT OF PUBLIC WORKS				TRAFFIC SIGNAL MODIFICATION PLAN		ACCT. NO.
APPROVED BY	BY	DATE	APPROVED BY	MAGNOLIA AVENUE		X-201A
PRINCIPAL ENGINEER	<i>[Signature]</i>	3/17/06	CITY ENGINEER	AT TERRACINA DRIVE		SHEET 1 OF 1
TRAFFIC DIVISION	3/21/06	DATE	4/4/06	1" = 20'		FILE NAME:
DESIGNED BY	DRAWN BY	CHECKED BY	PUBLIC UTILITIES			