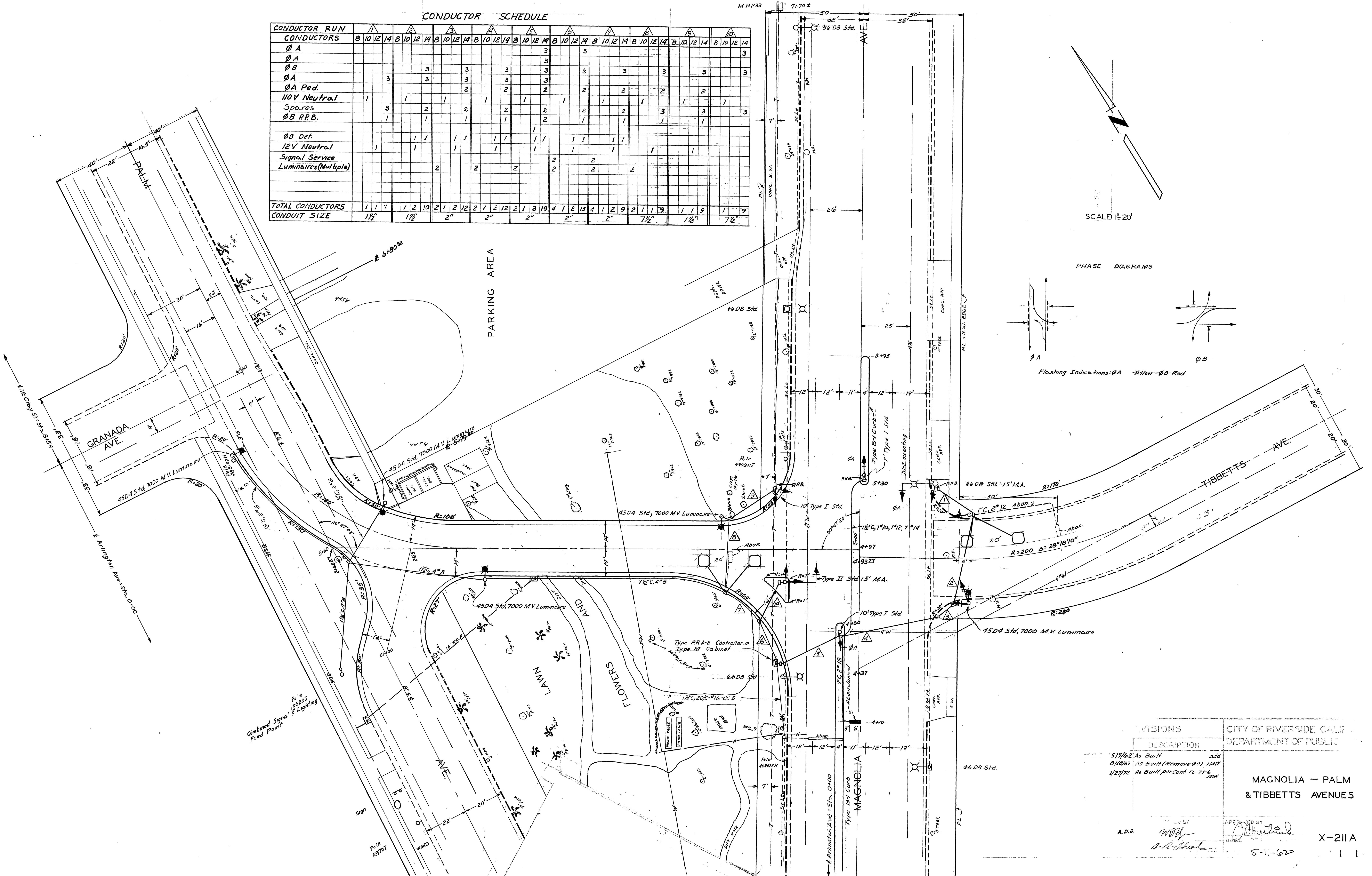


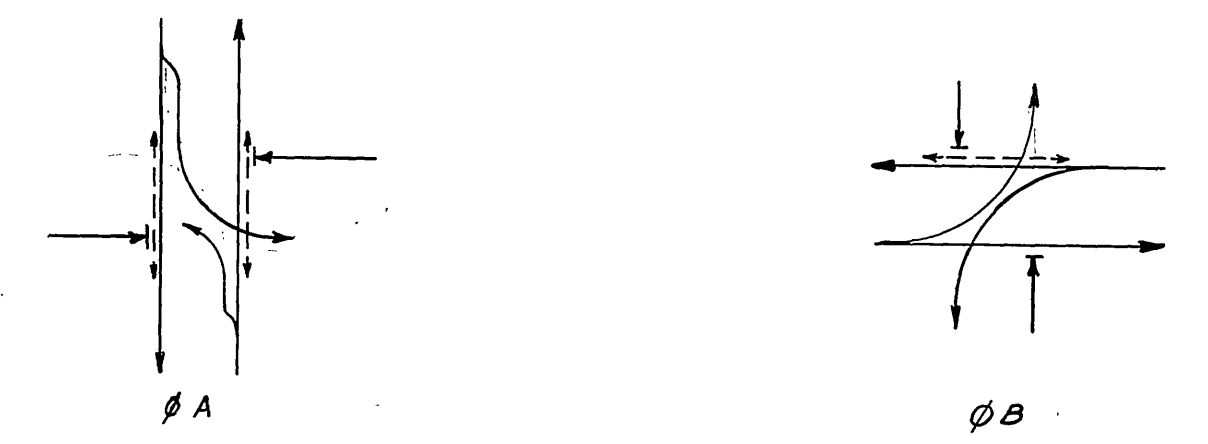
CONDUCTOR SCHEDULE

CONDUCTOR RUN	A			B			C			D			E			F			G			H				
CONDUCTORS	8	10	14	8	10	14	8	10	14	8	10	14	8	10	14	8	10	14	8	10	14	8	10	14		
Ø A																										
Ø A																										
Ø B																										
Ø A Ped.																										
110V Neutral																										
Spares																										
Ø B RPB.																										
Ø B Det.																										
12V Neutral																										
Signal Service																										
Luminaires(Multiple)																										
TOTAL CONDUCTORS	1	1	7	1	2	10	2	1	2	2	2	1	2	2	2	1	3	19	4	1	2	15	4	1	2	9
CONDUIT SIZE	1 1/2"	1 1/2"	2"	2"	2"	2"	2"	2"	2"	2"	2"	2"	2"	2"	2"	2"	2"	2"	2"	2"	1 1/2"	1 1/2"	1 1/2"	1 1/2"		



SCALE: 1" = 20'

PHASE DIAGRAMS



PROVISIONS CITY OF RIVERSIDE CALIF. DEPARTMENT OF PUBLIC

DESCRIPTION	DATE	BY
As Built	5/17/62	JMW
As Built (Remove Ø C)	8/18/63	JMW
As Built per Cont. TE-7116	1/27/72	JMW

MAGNOLIA - PALM & TIBBETTS AVENUES

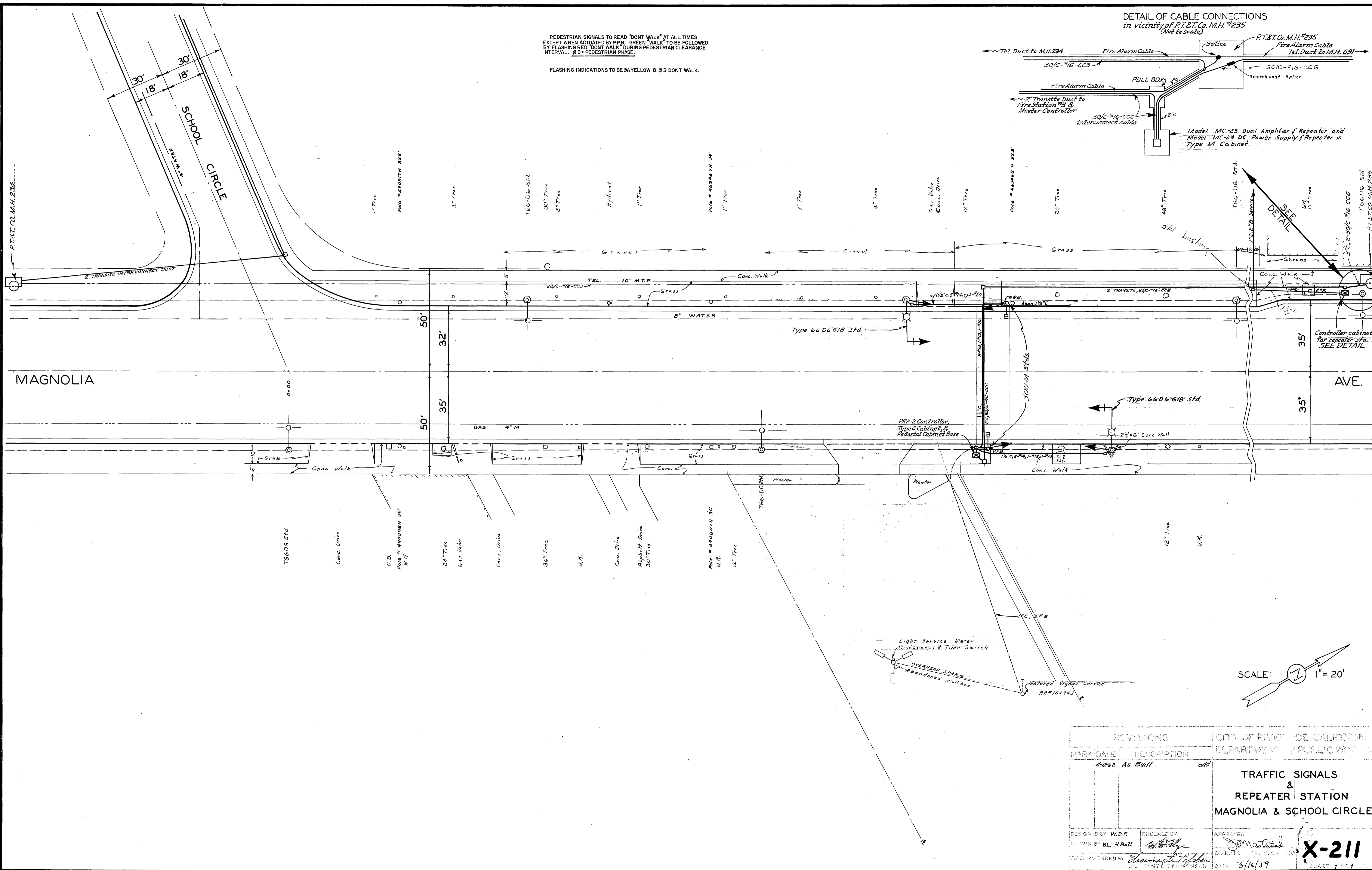
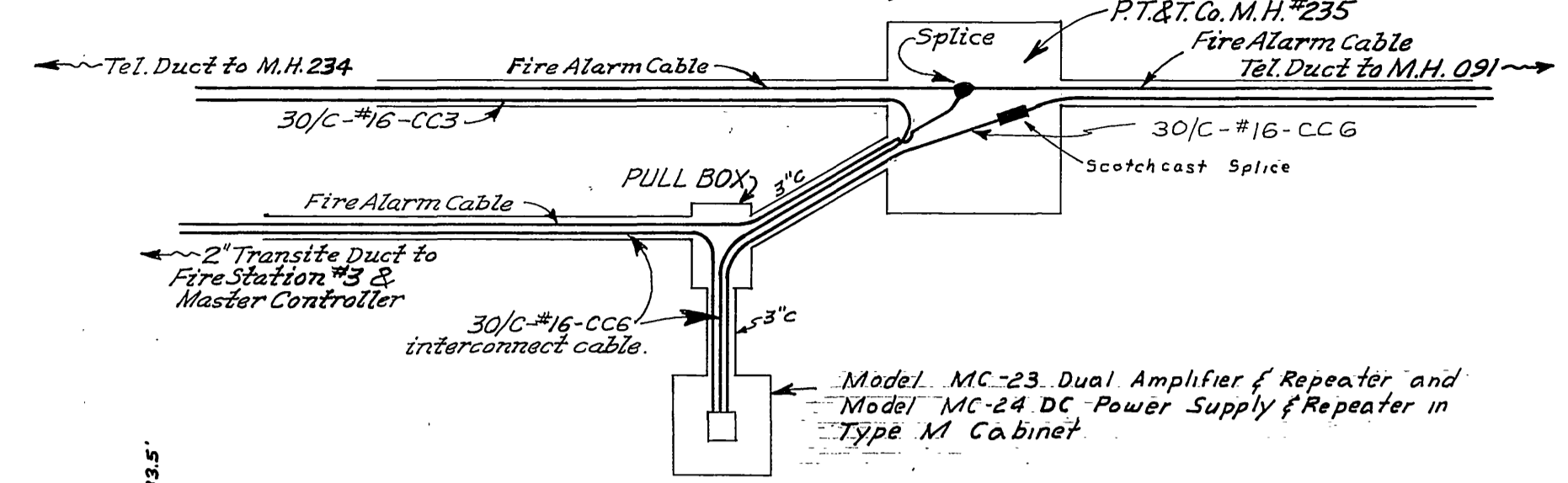
APPROVED BY: [Signature]
 A.D.P. [Signature]
 5-11-62

X-21A

PEDESTRIAN SIGNALS TO READ "DONT WALK" AT ALL TIMES EXCEPT WHEN ACTUATED BY P.P.B. "GREEN WALK" TO BE FOLLOWED BY FLASHING RED "DONT WALK" DURING PEDESTRIAN CLEARANCE INTERVAL. Ø B = PEDESTRIAN PHASE.

FLASHING INDICATIONS TO BE Ø A YELLOW & Ø B DONT WALK.

DETAIL OF CABLE CONNECTIONS
in vicinity of P.T.&T. Co. M.H. #235
(Not to scale)



MAGNOLIA

AVE.

SCHOOL CIRCLE

SCALE: 1" = 20'

REVISIONS			CITY OF RIVERSIDE CALIFORNIA DEPARTMENT OF PUBLIC WORKS
MARK	DATE	DESCRIPTION	
	4-18-62	As Built	TRAFFIC SIGNALS & REPEATER STATION MAGNOLIA & SCHOOL CIRCLE

DESIGNED BY W.D.F.	CHECKED BY <i>[Signature]</i>	APPROVED BY <i>[Signature]</i>
DRAWN BY BL H.Ball		DIRECTOR PUBLIC WORKS
RECOMMENDED BY <i>[Signature]</i>	DATE 3/16/59	SHEET 1 OF 1