

POLE SCHEDULE

No.	STANDARD			LUM. HPSV	I.S.N.S. LEGEND	SIGNAL HEAD	SIGNAL MOUNTING VEHICLE	PPB PHASE
	TYPE	HCT	SIG. M.A. LUM. M.A.					
(A)	26-4-80	30'	45'	12'	250w El Cerrito Dr. 5200	1W3C	MAS	
						1W3C	MAS	
						1W3C	SV-1-T	SP-1-T 6
(B)	1A	10'				1W3C	TV-1-T	
(C)	19-2-80	30'	25'	12'	200w Central Ave 900	1W3C	MAS	
						1W3C	SV-1-T	SP-1-T 6
(D)	1A	10'				1W3C	TV-1-T	6, 8
(E)	26-4-80	30'	40'	12'	250w El Cerrito Dr. 5200	1W3C	MAS	
						1W3C	MAS	
						1W3C	SV-1-T	SP-1-T 8
(F)	19-2-80	30'	25'	12'	200w Central Ave 1000	1W3C	MAS	
						2W3C	SV-2-TD	
(G)	BIKE PED POST							2

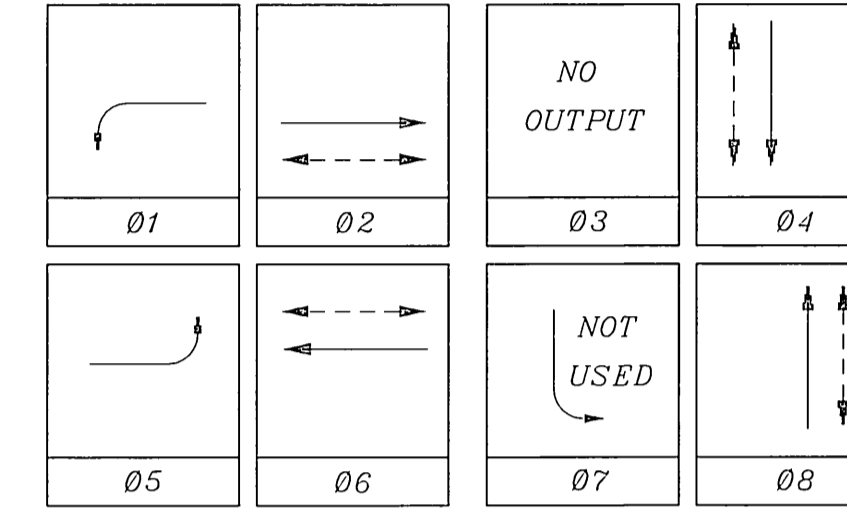
NOTES: 1. All vehicular heads are 12" lenses.
 2. Left-turn heads are all arrows.
 3. Luminaires are High Pressure Sodium Vapor.

DETECTOR SCHEDULE

LOOP DESIGNATION	NUMBER OF LOOPS	FEATURES
1-E-1	3	
1-W-2	2	
2-W-2	4	
1-E-3	1	
2-W-3	1	
1-N-4	3	
2-N-4	3	
1-W-5	3	
1-E-6	2	
2-E-6	4	
1-S-8	2	
2-S-8	2	

- ▲ Disconnect
 - Sampling
 - Call-hold (Extension)
- Information in Detector Schedule is for assignment only.

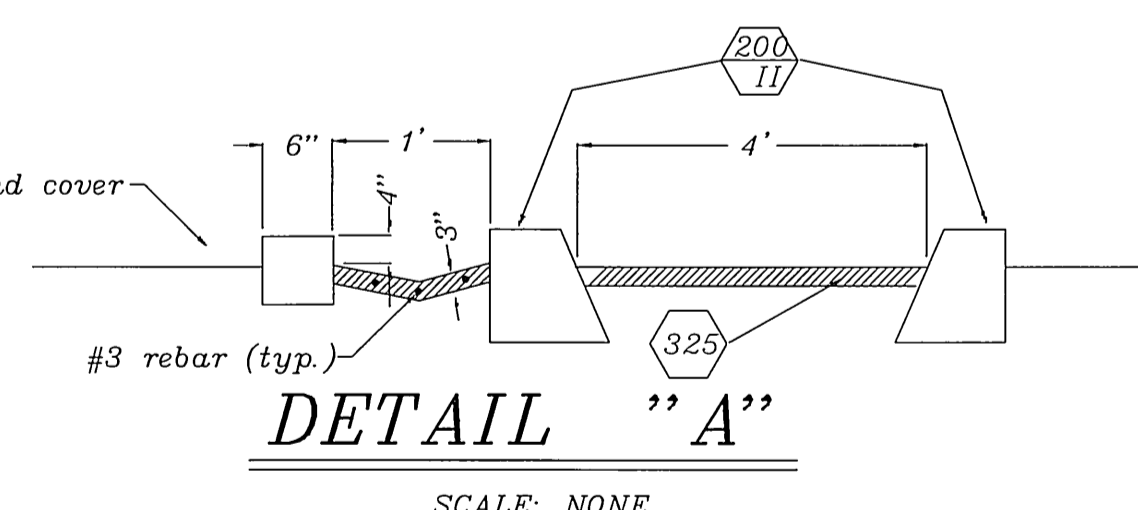
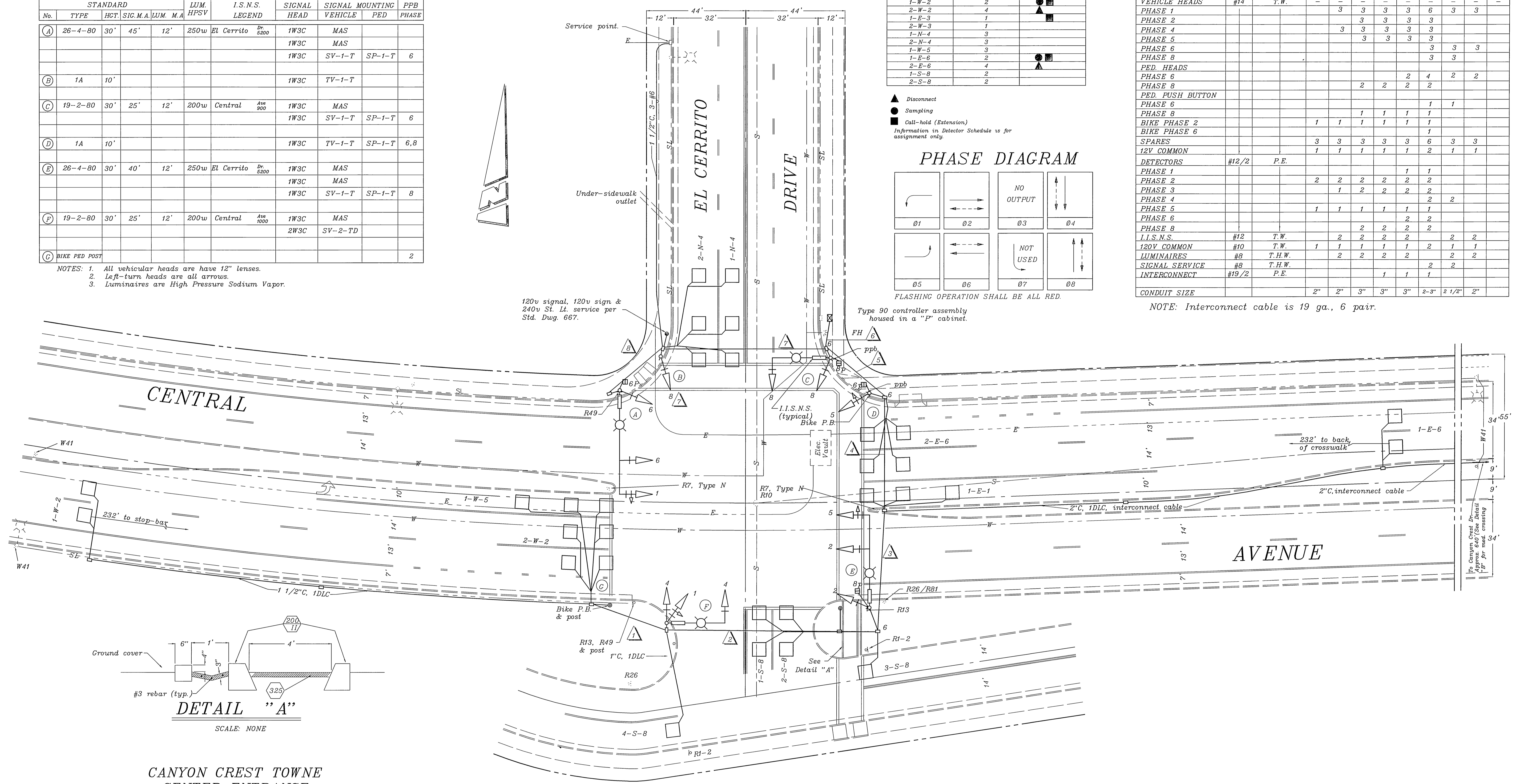
PHASE DIAGRAM



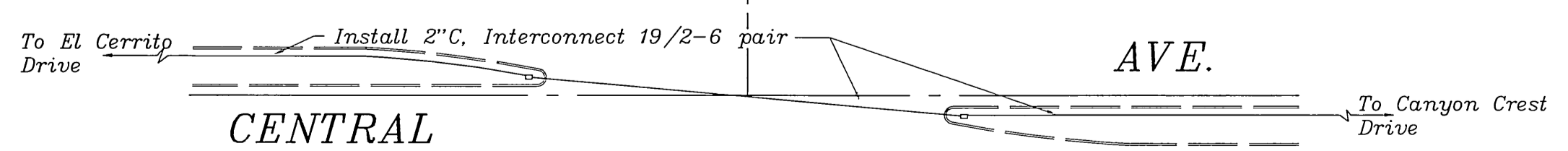
CONDUCTOR SCHEDULE

CONTROL FUNCTION	CONDUCTORS		RUNS								
	SIZE	INSULATION	1	2	3	4	5	6	7	8	9
VEHICLE HEADS	#14	T.W.	-	-	-	-	-	-	-	-	-
PHASE 1				3	3	3	3	6	3	3	
PHASE 2					3	3	3	3			
PHASE 4				3	3	3	3	3			
PHASE 5					3	3	3	3			
PHASE 6									3	3	3
PHASE 8									3	3	
PED. HEADS											
PHASE 6						2	4	2	2		
PHASE 8						2	2	2			
PED. PUSH BUTTON											
PHASE 6										1	1
PHASE 8						1	1	1	1		
BIKE PHASE 2				1	1	1	1	1	1		
BIKE PHASE 6										1	
SPARES				3	3	3	3	3	6	3	3
12V COMMON				1	1	1	1	1	2	1	1
DETECTORS	#12/2	P.E.									
PHASE 1								1	1		
PHASE 2				2	2	2	2	2	2		
PHASE 3					1	2	2	2	2		
PHASE 4										2	2
PHASE 5				1	1	1	1	1	1		
PHASE 6									2	2	
PHASE 8							2	2	2	2	
I.S.N.S.	#12	T.W.				2	2	2	2	2	2
120V COMMON	#10	T.W.	1	1	1	1	1	2	1	1	
LUMINAIRES	#8	T.H.W.	2	2	2	2	2	2	2	2	
SIGNAL SERVICE	#8	T.H.W.							2	2	
INTERCONNECT	#19/2	P.E.				1	1	1			
CONDUIT SIZE			2"	2"	3"	3"	3"	3"	2-3"	2 1/2"	2"

NOTE: Interconnect cable is 19 ga., 6 pair.



CANYON CREST TOWNE CENTER ENTRANCE



DETAIL "B"

Interconnect cable crossing at median opening of Canyon Crest Towne Center Entrance.

CITY OF RIVERSIDE, CALIFORNIA DEPARTMENT OF PUBLIC WORKS			TRAFFIC SIGNAL		ACCT. NO. 30-576-356-02
APPROVED BY: _____ BY: _____ DATE: _____			APPROVED BY: _____		X-228
AS-BUILT P.P.B. SE CORNER MAC 12/00			DIRECTOR OF PUBLIC WORKS		
AS-BUILT PER TE-88-10 MAC 4/94			DATE: _____		SHEET 1 OF 1
MARK	REVISIONS	APPR. DATE	CHIEF P.W. ENGR.	PUBLIC UTILITIES	FILE NAME: X228.DWG
DESIGNED BY: MAC	DRAWN BY: MAC	CHECKED BY: _____			