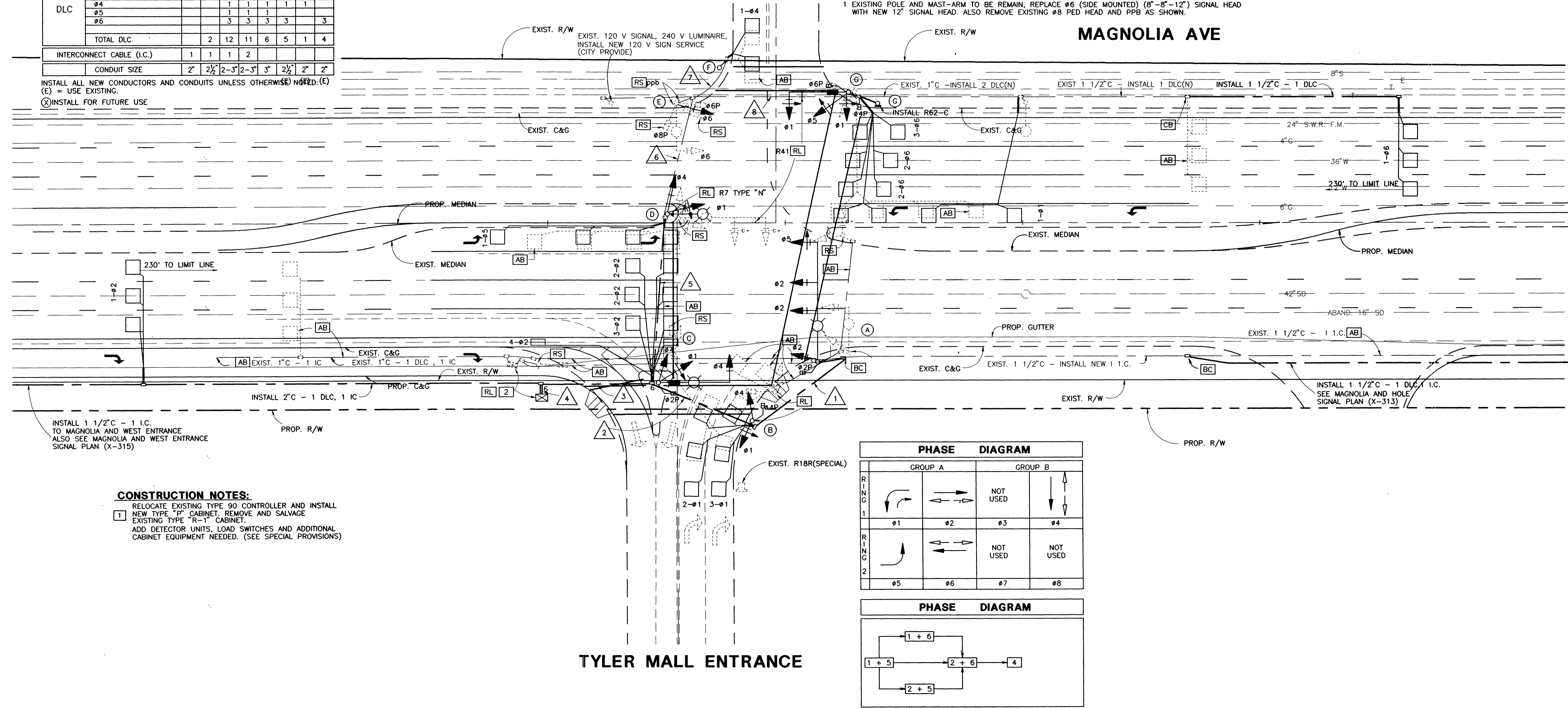
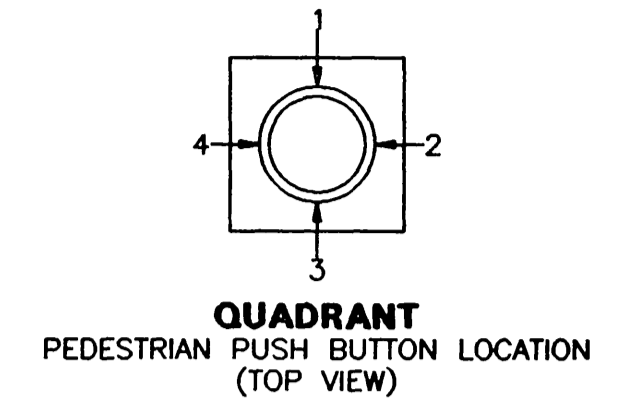


CONDUCTOR SCHEDULE										
AWG	CONDUCTOR	CONDUIT RUN								
		1	2	3	4	5	6	7	8	
#14	#1		3	6	6	3	3			3
	#2	3	3	3	3					
	#4		3	6	6	3				
	#5	3	3	6	6	3	3			3
	#6		3	3	3	3				
	#2PED	2	2	2	2					
	#4PED	2	4	4	2	2				2
	#6PED		2	2	2	2				2
	#2PPB		1	2	2					
	#4PPB	1	1	2	2	1	1			1
	#6PPB		2	2	2	2	1	1		1
	#6BIKE PB		1	1	1	1	1			1
	PPB COMMON	1	1	2	2	1	1	1		1
	SPARE	3	3	6	6	3	3			3
TOTAL #14		13	22	47	47	24	21		17	
#12	I.S.N.S.	(2)	(2)		2	2	2		2	
#10	SIGNAL COMMON	1	1	2	2	1	1		1	
#8	LUMINAIRE	2	2		2	2	2		2	
#6	SERVICE			2	2	2	2		2	
DLC	#1		2	3	3	1	1		1	
	#2		3	2						
	#2 BIKE		1	1						
	#4		1	1	1	1	1		1	
	#5		1	1	1	1	1		1	
	#6		3	3	3	3			3	
TOTAL DLC		2	12	11	6	5	1		4	
INTERCONNECT CABLE (I.C.)		1	1	1	2					
CONDUIT SIZE		2"	2 1/2"	2-3"	2-3"	3"	2 1/2"	2"	2"	

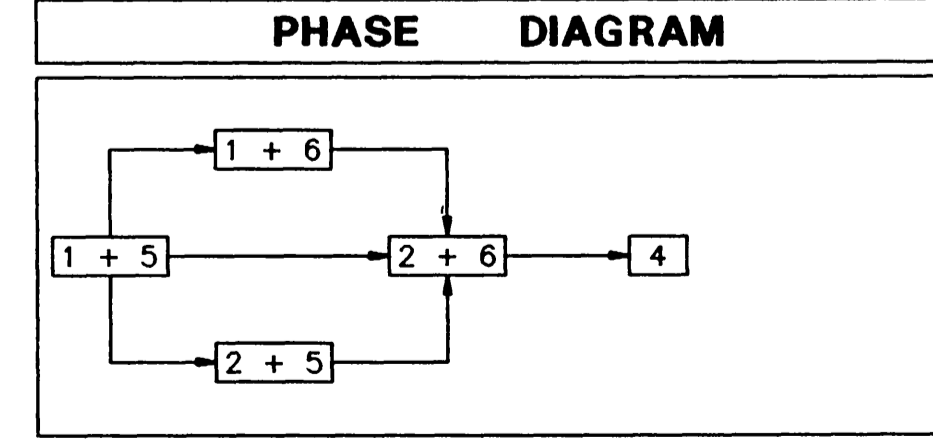
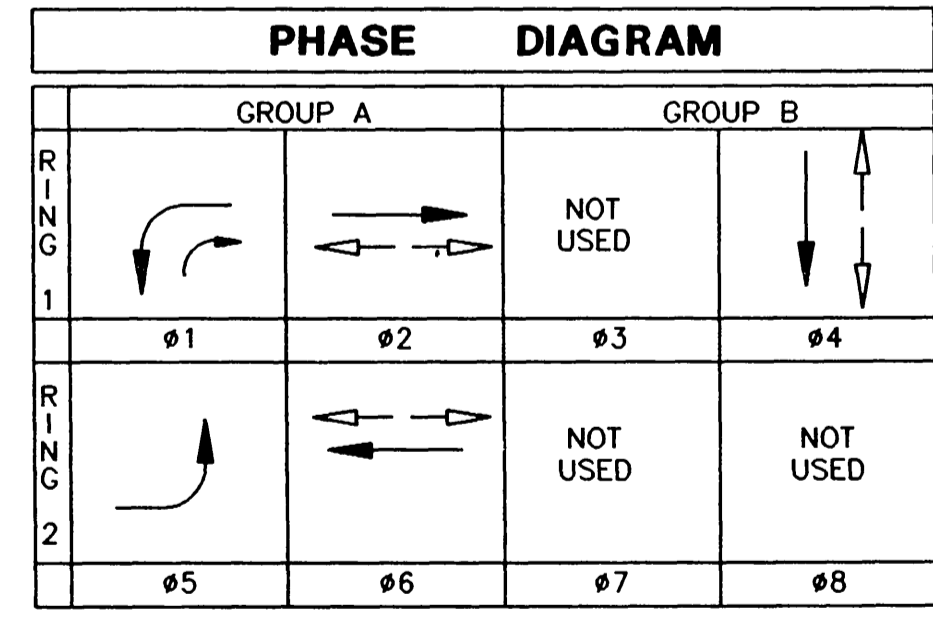
INSTALL ALL NEW CONDUCTORS AND CONDUITS UNLESS OTHERWISE NOTED: (E) = USE EXISTING.
 (X) = INSTALL FOR FUTURE USE

POLE SCHEDULE												
NO.	POLE TYPE	HEIGHT	MAST ARM LENGTH		SIGNAL MOUNTING			PPB		H.P.S. LUMINAIRE	I.S.N.S. LEGEND	REMARKS
			SIGNAL	LUMINAIRE	MA	POLE	PED	Ø	QUAD			
(A)	29A-5-80	35'	50'	15'	3-MAS	SV-1-T	SP-1-T	Ø4	4	400 W.		INSTALL ALL NEW POLE & EQUIPMENT SALVAGE EXISTING POLE AND EQUIPMENT
(B)	1-A	10'				TV-2-T	SP-1-T	Ø2	1			EXIST. POLE, INSTALL NEW Ø4 & Ø1 SIGNAL HEAD AND Ø4 PED HEAD AS SHOWN
(C)	19A-3-80	35'	30'	15'		SV-2-TB	SP-1-T	Ø2	3	400 W.	Magnolia AVE 10100	INSTALL ALL NEW POLE & EQUIPMENT SALVAGE EXISTING POLE AND EQUIPMENT
(D)	TYPE 30	35'		15'		SV-2-TB				400 W.		INSTALL ALL NEW POLE & EQUIPMENT SALVAGE EXISTING POLE AND EQUIPMENT
(E)	TYPE 17A	35'	20'	15'	MAS	SV-1-T	SP-1-T			400 W.		SEE CONSTRUCTION NOTE 1
(F)	PPB POST	3-10'						Ø6	3			INSTALL ALL NEW POLE & EQUIPMENT
(G)	19A-3-80	18'	25'		MAS	SV-2-TB	SP-2-T	Ø6 Ø4	1 2	400 W.	Magnolia AVE 10100	INSTALL ALL NEW POLE & EQUIPMENT SALVAGE EXISTING POLE AND EQUIPMENT
(H)	PPB POST	3-10'						Ø6	3			INSTALL ALL NEW POLE & EQUIPMENT

EXACT POLE LOCATION SHALL BE DETERMINED IN THE FIELD BY THE ENGINEER
 TYPE 1-A SHALL BE SPUN ALUMINUM
CONSTRUCTION NOTE:
 1 EXISTING POLE AND MAST-ARM TO BE REMAIN, REPLACE Ø6 (SIDE MOUNTED) (8"-8"-12") SIGNAL HEAD WITH NEW 12" SIGNAL HEAD. ALSO REMOVE EXISTING Ø8 PED HEAD AND PPB AS SHOWN.



CONSTRUCTION NOTES:
 1 RELOCATE EXISTING TYPE 90 CONTROLLER AND INSTALL NEW TYPE "P" CABINET. REMOVE AND SALVAGE EXISTING TYPE "R-1" CABINET. ADD DETECTOR UNITS, LOAD SWITCHES AND ADDITIONAL CABINET EQUIPMENT NEEDED. (SEE SPECIAL PROVISIONS)



Underground Service Alert
 Call: TOLL FREE
 1 - 800
 422 - 4133
 TWO WORKING DAYS BEFORE YOU DIG

PRIVATE ENGINEERING NOTE
 CONSTRUCTION CONTRACTOR AGREES THAT IN ACCORDANCE WITH GENERALLY ACCEPTED CONSTRUCTION PRACTICES, CONSTRUCTION CONTRACTOR WILL BE REQUIRED TO ASSUME SOLE AND COMPLETE RESPONSIBILITY FOR JOB SITE CONDITIONS DURING THE COURSE OF CONSTRUCTION OF THE PROJECT, INCLUDING SAFETY OF ALL PERSONS AND PROPERTY; THAT THIS REQUIREMENT SHALL BE MADE TO APPLY CONTINUOUSLY AND NOT BE LIMITED TO NORMAL WORKING HOURS, AND CONSTRUCTION CONTRACTOR FURTHER AGREES TO DEFEND INDEMNIFY AND HOLD DESIGN PROFESSIONAL HARMLESS FROM ANY AND ALL LIABILITY, REAL OR ALLEGED, IN CONNECTION WITH THE PERFORMANCE OF WORK ON THIS PROJECT, EXCEPTING LIABILITY ARISING FROM THE SOLE NEGLIGENCE OF DESIGN PROFESSIONAL.



PREPARED UNDER THE DIRECTION OF
James B. Dobbins
 REGISTERED CIVIL ENGINEER NO: 12977
 EXPIRATION DATE: 3/31/93 DATE:
 RECOMMENDED BY:
James B. Dobbins
 James B. Dobbins DATE: 12-19-90

J.F. Davidson Associates, Inc.
 ENGINEERING PLANNING SURVEYING
 ARCHITECTURE LANDSCAPE ARCHITECTURE
 MUNICIPAL ENGINEERING DIVISION
 3426 TENTH STREET
 RIVERSIDE, CA 92502
 (714) 683-0209 FAX (714) 686-5807
 SCALE: 1"=20'-0" BENCH MARK:
 DATE: DECEMBER, 90

DESIGNED BY: K.T.O. DRAWN BY: KTO/RDW CHECKED BY: *[Signature]*
 REVISIONS: _____ APPR. DATE: _____

CITY OF RIVERSIDE, CALIFORNIA
DEPARTMENT OF PUBLIC WORKS
 APPROVED BY: _____ BY: _____ DATE: _____
 PRINCIPAL ENGINEER
 INSPECTION
 TRAFFIC DIVISION
 CHIEF P.W. ENGINEER
 PUBLIC UTILITIES
 DATE: 12/20/90

TYLER MALL EXPANSION
 C.F.D. # 90-2 IMPROVEMENTS
 TRAFFIC SIGNAL MODIFICATION PLAN
MAGNOLIA AVENUE AND EAST ENTRANCE
 HORIZ. SCALE: 1" VERT. SCALE: 1"

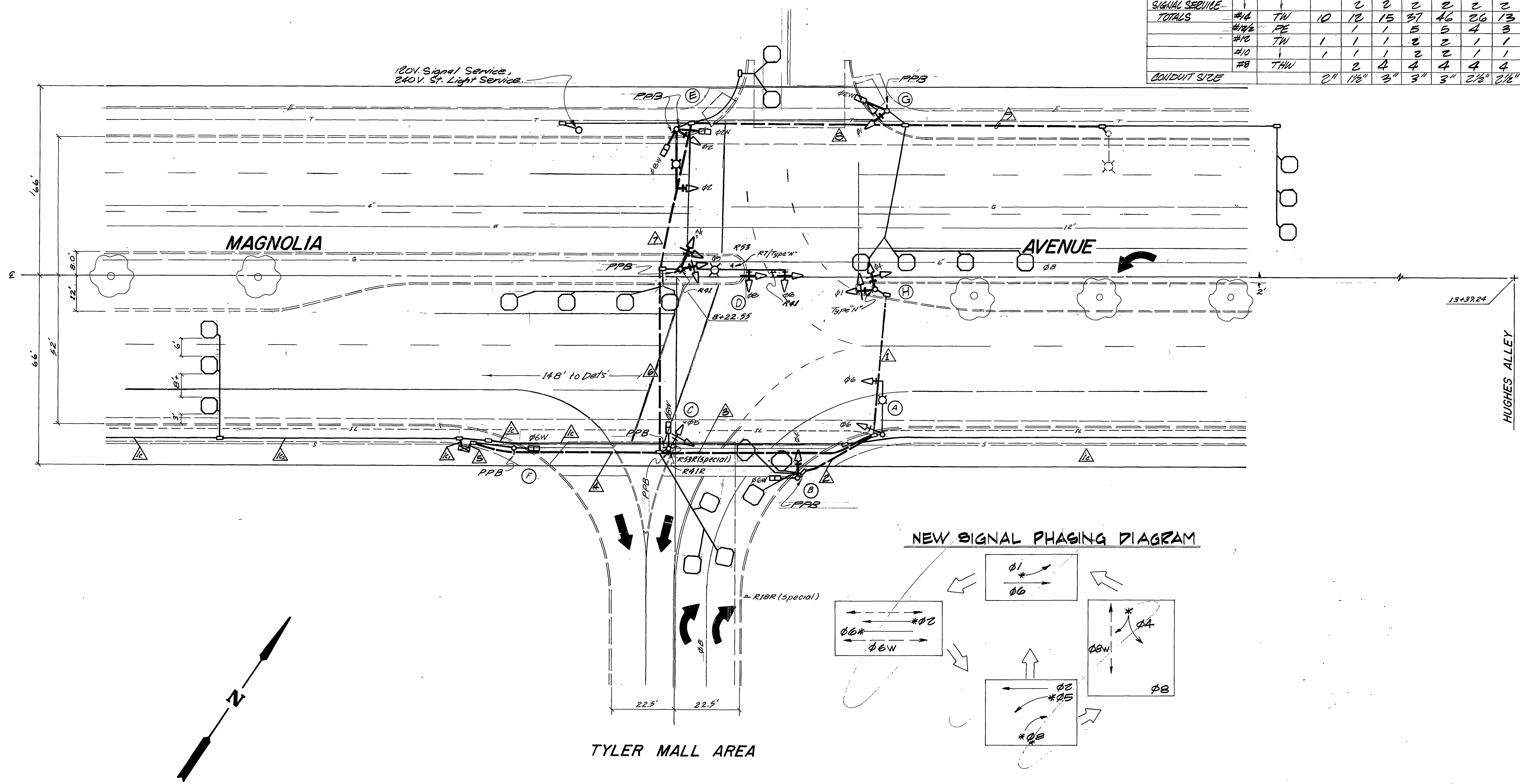
PROJECT NO.
X-314
 SHEET 1 OF 1
 FILE NO: 8911175

CONDUCTOR SCHEDULE

Control Function	Conductors		Trivulation								
	Size	Trivulation	1	2	3	4	5	6	7	8	9
Vehicle Heads	#14	T.W.									
Ø 1			3		3	6	3	3	3		
Ø 2					3	3	3	3	3		
Ø 4			3	6	3	6	3	3	3		
Ø 5						3	3	3			
Ø 6							3	3			
Ø 8								3	3		
Ped. Heads											
Ø 2					2	2	2	2	2		
Ø 6			2	2	2	2	2	2	2		
Ø 8											
Ped. Pushbutton											
Ø 2					2	2	2	2	2		
Ø 6			1	1	2	2	2	2	2		
Ø 8											
Spares											
120V Common #12			3	3	3	6	3	3	3		
120V Common #10			1	1	1	2	2	1	1		
Detector Cables #12	PE		1	1	1	2	2	1	1		
Ø 1						1	1	1			
Ø 2						1	1	1	1		1
Ø 4						1	1	1	1		
Ø 5						1	1	1	1		
Ø 8						1	1	1	1		
Luminaires #8	T.W.				2	2	2	2	2	2	2
SIGNAL SERVICE					2	2	2	2	2	2	
TOTALS	#14	T.W.	10	12	15	37	46	26	13		
#12	PE		1	1	1	5	5	4	3		1
#10	T.W.		1	1	1	2	2	1	1		
#8	T.W.		1	1	1	2	2	1	1		
CONDUIT SIZE			2"	1 1/2"	3"	3"	3"	3"	2 1/2"	2 1/2"	2"

EQUIPMENT SCHEDULE

Location	Standard	Vehicle Equipment			Ped. Equipment			Luminaire	Remarks
		Heads	Mfg. #	Back Plate	Lower	Heads	Mfg. #		
A	TC-7010	1W3C & 1W3C	M-2 & B-1	1				400W	
B	Type I	1W2C	W-1	1					
C	Type I	1W2C	W-0	2					
D	Type XXIX	1W3C & 1W3C	M-2 & B-1	1				400W	
E	Type XVII	1W3C & 1W3C	M-2 & B-1	1				400W	
F	Type I	1W2C	W-1	1					



RELOCATION OF STD. LOC. (D) PER MAGNOLIA LEVELING "AS BUILT" PER CONTRACT TE-70-11 "AS BUILT" PER CONTRACT TE-70-2		ML 1/19/80 ML 1/19/80 ML 1/19/80	CITY OF RIVERSIDE, CALIFORNIA PUBLIC WORKS DEPARTMENT	TRAFFIC SIGNALS MAGNOLIA AVENUE 516.69' W'LY OF HUGHES ALLEY (TYLER MALL EAST ACCESS)	ACCOUNT No. DRAWING NUMBER X-314 SHEET _____ OF _____
DESIGNED BY _____ DRAWN BY <i>JMM</i> CHECKED BY _____	APPROVED BY _____ PRINCIPAL ENGINEER TRAFFIC DIVISION CHIEF PUB. WKS. ENGR.	APPROVED BY _____ DIRECTOR OF PUBLIC WORKS	DATE _____	SCALE: 1"=20'	