

EQUIPMENT SCHEDULE														
NO.	TYPE	STANDARD			LUMINAIRE L.E.D.	IISNS LEGEND	SIGNAL MOUNTING			PPB PHASE	POLE LOCATION		REMARKS	
		HGT.	SIG. M.A.	LUM. M.A.			VEHICLE	PED	A		B			
A	19-4-100	30'	25'	15'	400W	Audrey Ave 9200	2-MAS	SV-2-TB	SP-2-T	Ø2P Ø3P	SEE PLAN	ALL NEW EQUIPMENT	4 5 6 8	
B	15TS	30'	-	12'	250W	-	-	-	SP-1-T	Ø2P	6.5'	6'	ALL NEW EQUIPMENT	8
C	19-4-100	30'	30'	-	-	Van Buren Blvd 5100 Veterans Memorial Hwy	MAS	SV-2-TB	-	-	11'	2'	ALL NEW EQUIPMENT	4 5 6 7 9
D	61-5-100	30'	65'	15'	400W	Shopping Ctr	3-MAS	SV-1-T	SP-1-T	Ø6P	14'	5.5'	ALL NEW EQUIPMENT	4 6 7 8 9
E	1-A (10')	10'	-	-	-	-	-	-	TV-1-T	-	11'	3'	ALL NEW EQUIPMENT	7
F	15TS	30'	-	12'	250W	-	-	-	SP-1-T	Ø6P	14'	9'	ALL NEW EQUIPMENT	8
G	1-A (10')	10'	-	-	-	-	-	-	TV-1-T	Ø3P	8'	5.5'	ALL NEW EQUIPMENT	7 8

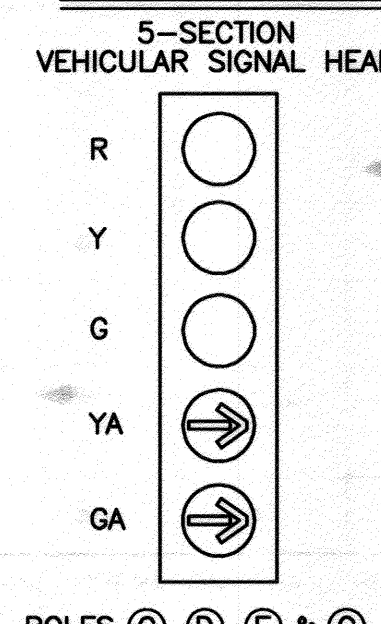
ELECTRICAL EQUIPMENT GENERAL NOTES

- ALL VEHICULAR HEADS SHALL HAVE 12" LENSES.
- PEDESTRIAN PUSH BUTTONS SHALL BE INSTALLED ON THE POLE IN THE QUADRANT NEAREST THE CROSSWALK SERVING THE PHASE. PEDESTRIAN PUSH BUTTONS SHALL BE 2-WIRE APS.
- CONTRACTOR SHALL POTHOLE MAST ARM POLE FOUNDATIONS PRIOR TO ORDERING POLES AND MAST ARMS.
- ALL PEDESTRIAN HEADS SHALL BE LED COUNTDOWN HEADS.
- ALL LEFT TURN VEHICLE HEADS SHALL HAVE ALL ARROWS.
- ALL IISNS LEGENDS AND PANELS SHALL BE PER CITY OF RIVERSIDE STANDARD DRAWING NO. 663.

GENERAL NOTES

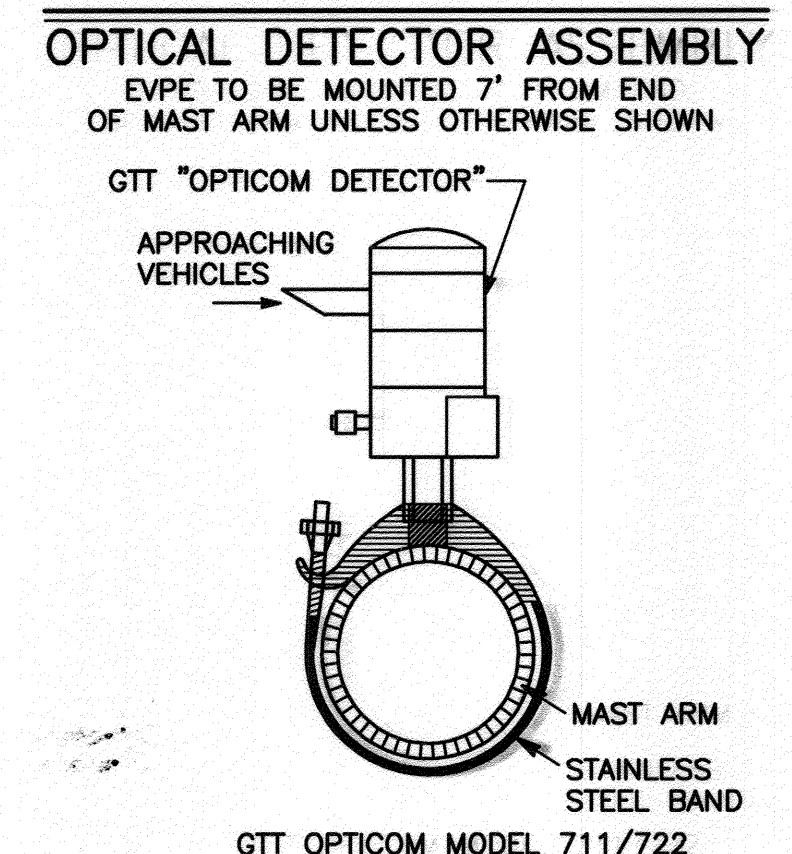
- ALL ITEMS FURNISHED AND ALL WORK TO BE DONE SHALL CONFORM TO THE REQUIREMENTS OF: THE STATE OF CALIFORNIA, DEPARTMENT OF TRANSPORTATION (CALTRANS) STANDARD PLANS AND SPECIFICATIONS, DATED 2006; THE CALIFORNIA MANUAL ON UNIFORM TRAFFIC CONTROL DEVICES ADOPTED 2012; AND THE SPECIAL PROVISIONS.
- UTILITIES SHOWN ON THE PLAN ARE CORRECT AND ACCURATE TO THE EXTENT OF AVAILABLE RECORDS. THE CONTRACTOR IS REQUIRED TO TAKE STEPS TO ASCERTAIN THE EXACT LOCATION OF ALL KNOWN SUBSTRUCTURES PRIOR TO DOING WORK THAT MAY DAMAGE OR INTERFERE WITH SUCH FACILITIES ("UNDERGROUND SERVICE ALERT" (800) 227-2600)
- THE CONTRACTOR SHALL OBTAIN ALL NECESSARY PERMITS TO NOTIFY ALL AFFECTED AGENCIES AND THE RIVERSIDE UTILITY COMPANIES A MINIMUM OF 48 HOURS PRIOR TO START OF CONSTRUCTION.
- UNLESS SHOWN OTHERWISE, INDUCTIVE LOOPS SHALL BE MODIFIED TYPE "D" & TYPE "E" WITH 10', 15' AND 30" SPACING IN THE DIRECTION OF TRAVEL. NECESSARY STRIPING SHALL BE LOCATED PRIOR TO POSITIONING LOOPS. LOOPS SHALL BE SEALED WITH HOT MELT SEALANT. SEE DETAIL.
- CONDUIT SCHEDULE IS FURNISHED AS AN INSTALLATION GUIDELINE ONLY. IT SHALL BE THE CONTRACTOR'S RESPONSIBILITY TO PROVIDE THE CORRECT CONDUCTORS REQUIRED FOR THE INTENDED OPERATION.
- CONDUIT BETWEEN ADJOINING PULL BOXES SHALL BE 2" UNLESS SHOWN OTHERWISE. ALL CONDUIT AND FITTINGS SHALL BE RIGID METAL, UNLESS SHOWN OTHERWISE (BURIED IN A MINIMUM OF 30" OF COVER IN THE STREET AND PARKWAY).
- TRAFFIC SIGNAL INTERCONNECT (SIC) SHALL BE 2" UNLESS SHOWN OTHERWISE, BURIED IN A MINIMUM OF 30" OF COVER IN THE STREET AND PARKWAY. NO. 6 PULL BOXES WITH LIDS LABELED "COMMUNICATIONS", SHALL BE SPACED AT 400' AND THE MAXIMUM SIC BENDING RADIUS SHALL NOT EXCEED 45'. SIC CONDUIT SHALL ONLY INCLUDE SIGNAL INTERCONNECT CONDUCTORS.
- UNDERGROUND SIGNAL CONDUCTORS SHALL NOT BE SPLICED.
- PULL BOXES SHALL BE NO. 6 WITH FIBERLITE LIDS LABELED "TRAFFIC SIGNALS" UNLESS OTHERWISE NOTED ON THE PLAN.
- PULL BOXES SHALL NOT BE LOCATED IN OR WITHIN 1' OF ANY CURB ACCESS RAMP OR DRIVEWAY.
- THE CONTRACTOR SHALL VERIFY WITH THE ENGINEER THE PRECISE FIELD LOCATIONS OF ALL TRAFFIC SIGNAL EQUIPMENT PRIOR TO THE INSTALLATION.
- ALL LANDSCAPING WHICH IS DAMAGED BY CONSTRUCTION ACTIVITIES SHALL BE REPAIRED OR REPLACED TO THE SATISFACTION OF THE CITY AND THE PROPERTY OWNER.
- NEW MAST ARM MOUNTED SIGN SHALL BE FABRICATED WITH 3M DIAMOND GRADE DG3 REFLECTIVE SHEETING (ASTM TYPE XI) OR APPROVED EQUAL. MINIMUM SIGN SHALL BE 30" X 30".
- VEHICLE HEADS SHALL BE 12" LED TYPE. THE HOUSING, BACKPLATES AND VISORS SHALL BE METAL.
- INTERNALLY ILLUMINATED STREET NAME SIGNS (IISNS) SHALL BE TYPE A. STREET NAME LEGENDS SHALL BE UPPER/LOWER CASE AND SHALL INCLUDE BLOCK NUMBERS AND ROAD NAME SUFFIXES.
- SALVAGED TRAFFIC SIGNAL EQUIPMENT SHALL BE DELIVERED TO THE CITY OF RIVERSIDE TRAFFIC SIGNAL MAINTENANCE YARD.
- DAMAGED SIDEWALK CONCRETE SHALL BE REPLACED PER CITY OF RIVERSIDE STANDARD.
- THE CONTRACTOR SHALL REMOVE ALL UNUSED PULL BOXES AND RE-PAVE SURROUNDING AREA TO MATCH EXISTING OR PROPOSED GRADE. ALL UNUSED CONDUIT SHALL BE ABANDONED AND CAPPED ONCE UNUSED CONDUCTORS ARE REMOVED.
- IT SHALL BE THE RESPONSIBILITY OF THE CONTRACTOR TO FURNISH AND INSTALL ANY ADDITIONAL LOAD SWITCHES AND/OR DETECTOR CARDS, IF NECESSARY, FOR THE PROPOSED OPERATION.
- ALL CONTRACTORS WORKING ON OR AROUND THE CITY OF RIVERSIDE'S UNDERGROUND ELECTRICAL FACILITIES MUST HAVE THE PROPERLY QUALIFIED PERSONNEL AND EQUIPMENT TO PERFORM THE SPECIFIED WORK. THE CONTRACTOR WILL BE SOLELY RESPONSIBLE TO ESTABLISH AND MAINTAIN A SAFE WORKING ENVIRONMENT INCLUDING, BUT NOT LIMITED TO WORK AROUND ENERGIZED HIGH VOLTAGE FACILITIES, GAST TESTING OF CONFINED SPACES, TRAFFIC AND PROTECTION.

DETAIL "A" 7



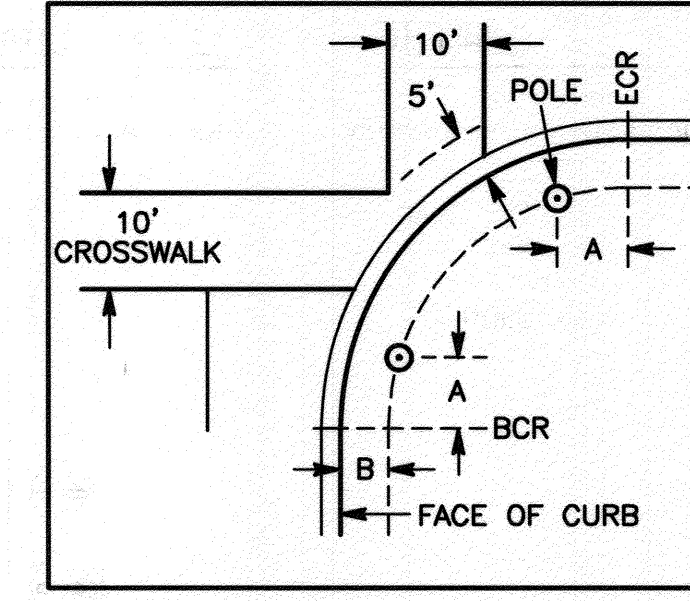
POLES (C), (D), (E) & (G)

DETAIL "D" 4

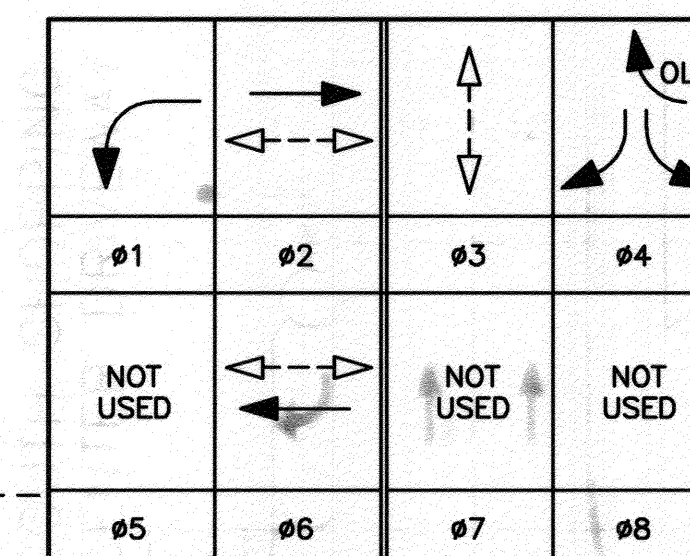


WORK TO BE DONE:

THE IMPROVEMENTS CONSIST OF THE FOLLOWING WORK TO BE DONE ACCORDING TO THESE PLANS AND THE SPECIFICATIONS AND STANDARD DRAWINGS OF THE CITY OF RIVERSIDE.



DETECTOR LOOP AND POLE LOCATION DETAIL
NOT TO SCALE

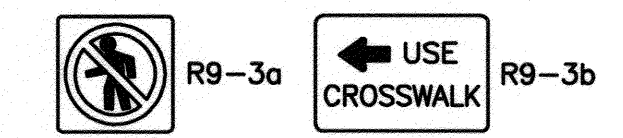


PHASE DIAGRAM

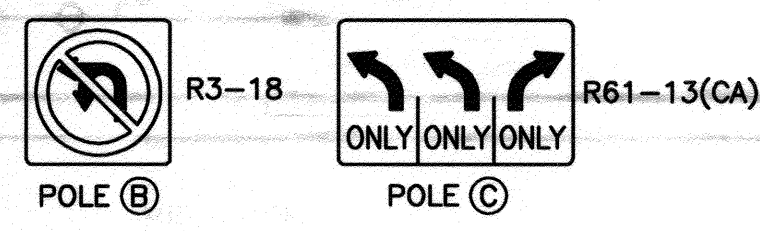
CONSTRUCTION NOTES (THIS SHEET ONLY)

- CONTRACTOR SHALL CONSTRUCT (TYPE 332 CABINET) FOUNDATION. CONTRACTOR SHALL FURNISH AND INSTALL MODEL 2070 CONTROLLER ASSEMBLY IN MODEL 332 ANODIZED ALUMINUM CABINET, COMPLETE WITH DETECTION SHOWN AND AUXILIARY EQUIPMENT WITHIN A TYPE 332 CABINET PER CITY OF RIVERSIDE SPECIFICATIONS.
- INSTALL ELECTRICAL SERVICE PER CITY OF RIVERSIDE STANDARD DRAWING NO. 667. CONTRACTOR SHALL COORDINATE WITH CITY OF RIVERSIDE ELECTRICAL UTILITY DEPARTMENT AT (951)826-5452 FOR ELECTRICAL SERVICE A MINIMUM OF THREE WEEKS PRIOR TO TRAFFIC SIGNAL TURN ON.
- CONTRACTOR SHALL PROVIDE AND INSTALL AN UNINTERRUPTED POWER SUPPLY (UPS) UNIT PER THE SPECIAL PROVISIONS. THE UPS UNIT AND BATTERIES SHALL BE INSTALLED IN A CABINET, EXTERNALLY MOUNTED TO THE CONTROLLER CABINET.
- INSTALL ONE (1) GTT MODEL NO. 711 (OR CITY-APPROVED EQUAL) EMERGENCY VEHICLE PRE-EMPTION DETECTOR ASSEMBLY (INCLUDING MOUNTING HARDWARE AND CABLE) FOR EACH DIRECTION, OR OPTICOM MODEL NO. 722 (DUAL DIRECTION) AS SHOWN ON PLAN. E.V.P.E. SHALL BE MOUNTED ON THE MAST ARM PER DETAIL "D" THIS SHEET.
- INSTALL MAST ARM MOUNTED SIGN.
- FURNISH AND INSTALL TYPE "A" INTERNALLY ILLUMINATED DUAL FACE MAST ARM MOUNTED STREET NAME SIGN PER CITY OF RIVERSIDE STANDARD DRAWING NO. 663.
- INSTALL 5-SECTION VEHICULAR SIGNAL HEAD. SEE DETAIL "A" THIS SHEET.
- PEDESTRIAN PUSH BUTTONS SHALL BE 2-CONDUCTOR POLARA PEDESTRIAN ACCESSIBLE SIGNALS (APS).
- INSTALL SHAFT MOUNTED R9-3a AND R9-3b SIGNS.
- CONTRACTOR SHALL CONTACT CITY OF RIVERSIDE PUBLIC UTILITIES THREE WEEKS IN ADVANCE OF WORK TO SCHEDULE REMOVAL OF EQUIPMENT BY CONTRACTOR FORCES.
- CONTRACTOR SHALL REMOVE FOUNDATIONS/EQUIPMENT AND SHALL BE REMOVED COMPLETELY.

SIGNS THIS SHEET



MAST ARM MOUNTED SIGNS 5

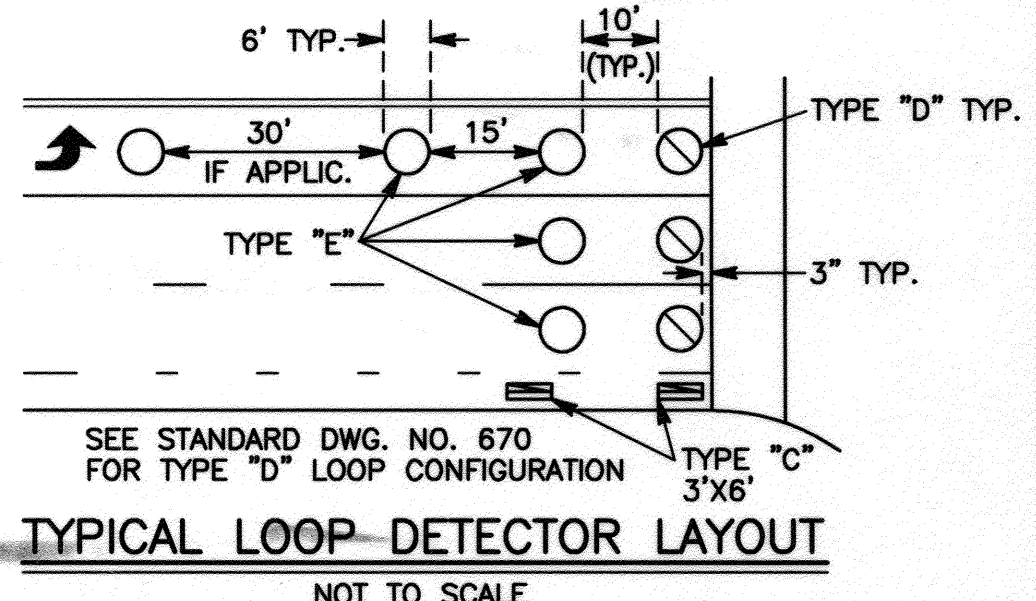


CONDUCTOR SCHEDULE

AWG SIZE OR CABLE TYPE	P H A S E	POLE OR CIRCUIT	CONDUIT SIZE AND RUN									
			3"	3"	4"	3"	4"	2-4"	2-4"			
NO.14 CABLES		POLE - (A)			2	1			2	1		
3 CONDUCTOR	12 CONDUCTOR	POLE - (B)		1	1	1			1	1	1	1
		POLE - (C)		1	1	1			1	1	1	1
		POLE - (D)							1	1	1	1
		POLE - (E)							1	1	1	1
		POLE - (F)							1	1	1	1
		POLE - (G)							1	1	1	1
TOTAL CABLES - 3 CON / 12 CON			0	1	2	3	0	1	2	6	7	
12		I.I.S.N.S.		2	2	2		2	2			
8		LUMINAIRES		2	2	2		2	2			
TYPE "B" DLC	EV-DLC	Ø1 LOOP									2	
		Ø2 LOOP		4	4	4			4	4		
		Ø4 LOOP					3	3	3	3		
		Ø6 LOOP									5	
TOTAL			4	4	4		3	3	7	14		
EV-DLC	EV-DLC	Ø1+Ø6 EVPE							1	1	1	
		Ø2 EVPE				1				1	1	
		Ø4 EVPE		1	1	1					1	
		TOTAL		1	1	2				1	3	3
6PR#19(SIC), 12-STRAND SINGLE MODE FOC									1	1	1	
3PR#19(SIC), 12-STRAND SINGLE MODE FOC										1		

LEGEND

- TURN CONTROL SIGN
- PROPOSED CONTROLLER CABINET
- PROPOSED 1A SERVICE POLE
- PROPOSED PULL BOX
- PROPOSED INTERNALLY ILLUMINATED STREET NAME SIGN
- PROPOSED VEHICULAR TRAFFIC SIGNAL
- PEDESTRIAN INDICATION



TYPICAL LOOP-DETECTOR LAYOUT
NOT TO SCALE



ENGINEER OF WORK

JOHN P. KEATING R.C.E. 43595 DATE 10/21/14

IMPORTANT NOTICE
Section 4216/4217 of the Government Code requires a Dig Alert Identification Number to be tagged before a "Permit to Excavate" will be void. For your Dig Alert ID Number call CALL TOLL FREE 48 HOURS BEFORE YOU DIG UNDERGROUND SERVICE ALERT 1-800-227-2600

LINSOTT, LAW & GREENSPAN, ENGINEERS
4542 Ruffner Street, Suite 100
San Diego, Ca 92111
(858)300-8800 (858)300-8810 (FX)

CITY OF RIVERSIDE, CALIFORNIA
DEPARTMENT OF PUBLIC WORKS

APPROVED BY: [Signature] DATE: 5/8/15
ENGINEERING MANAGER
TRAFFIC DIVISION
CONSTRUCTION ADMIN.
PUBLIC UTILITIES

TRAFFIC SIGNAL MODIFICATION PLAN FOR:

VAN BUREN BOULEVARD and AUDREY AVENUE

5200 VAN BUREN BOULEVARD, RIVERSIDE, CA

ACCT. NO. PW14-0038

X-377A

SHEET 1 OF 2

SCALE: 1"=20'

THIS PLAN ACCURATE FOR ELECTRICAL WORK ONLY
DESIGN SPEED: AUDREY AVENUE = 25 MPH
DESIGN SPEED: VAN BUREN BOULEVARD = 45 MPH

LLG 3-136446.1 TS1-6446.DWG 10/21/14
Designed By: JSM Drawn By: DVS Checked By: JPK

DESIGNED BY: DRAWN BY: CHECKED BY: