

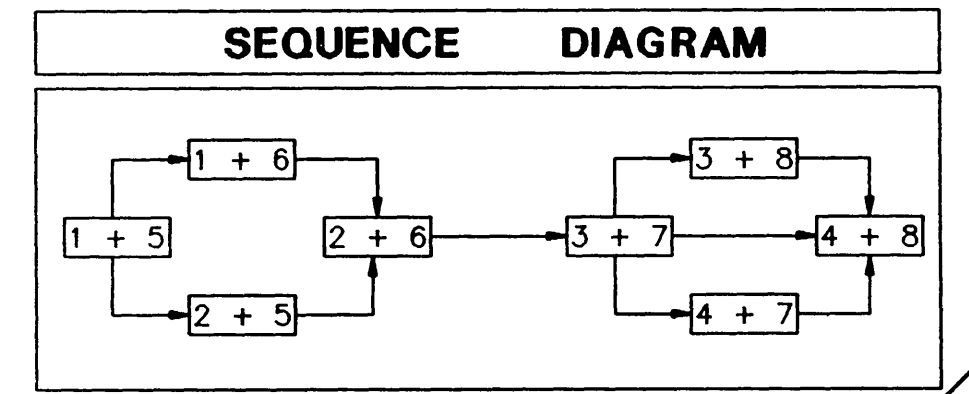
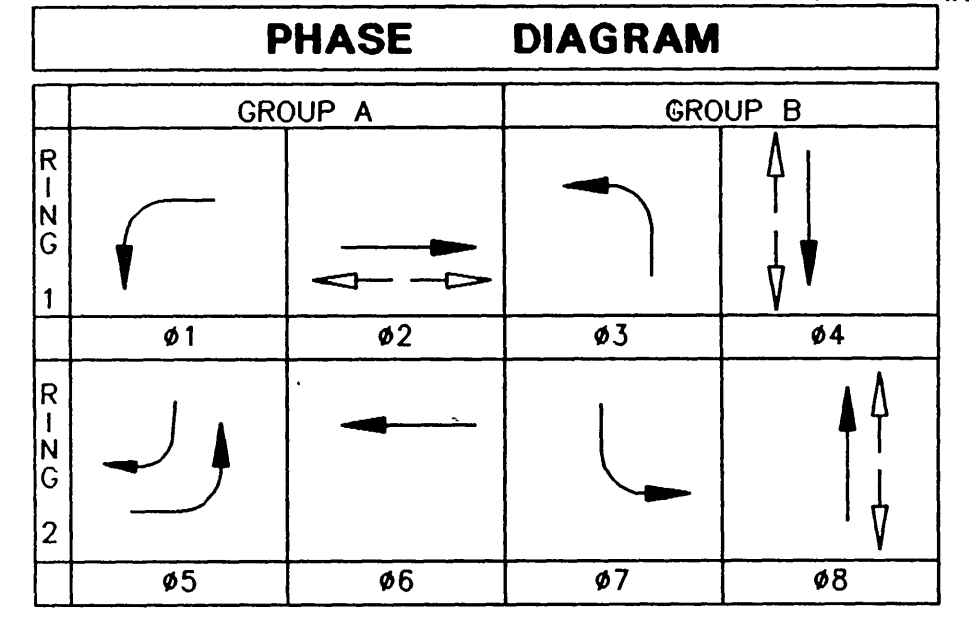
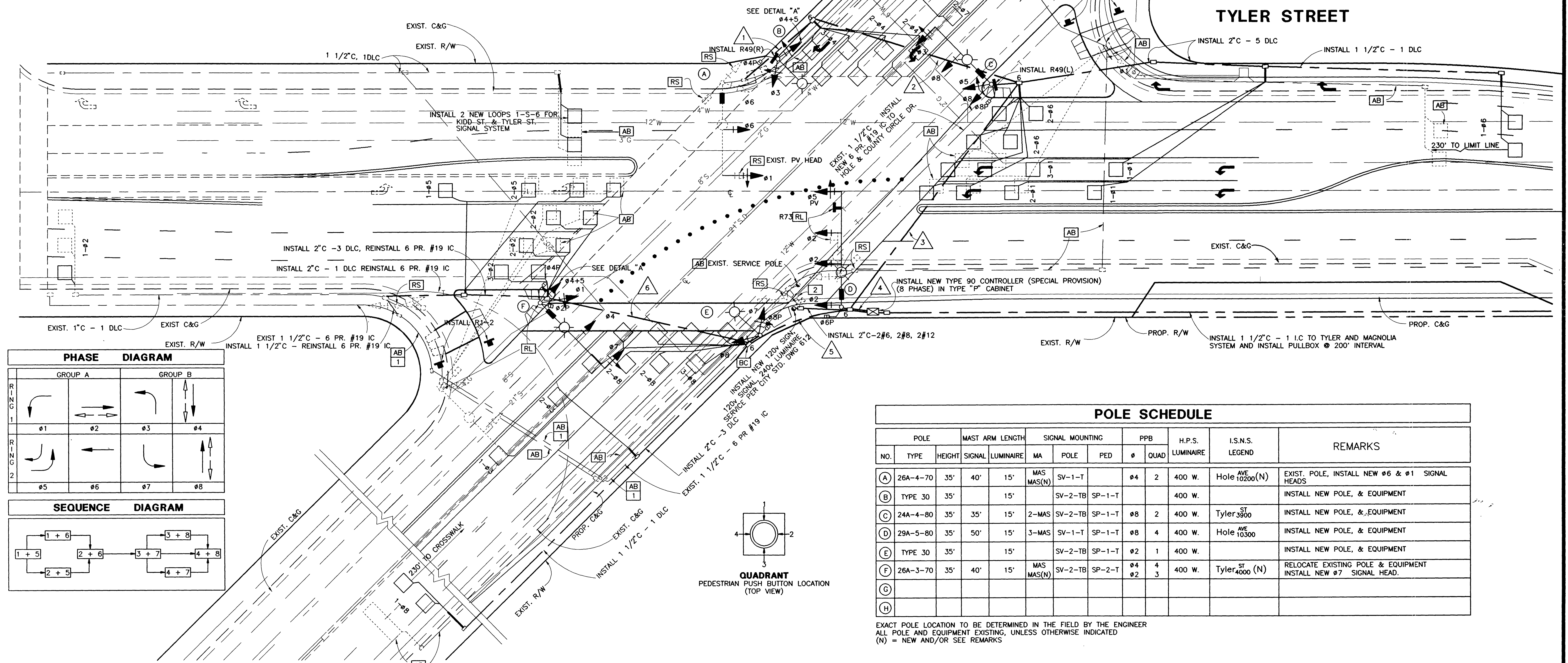
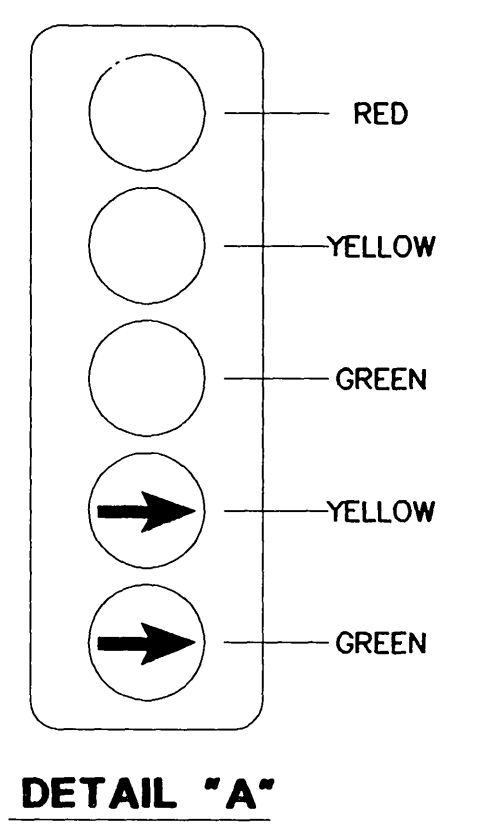
CONDUCTOR SCHEDULE							
AWG	CONDUCTOR	CONDUIT RUN					
		1	2	3	4	5	
#14	Ø1	3	3	3	6	3	3
	Ø2				3		
	Ø3		3	3	3		
	Ø4		3	3	6	3	3
	Ø5		2	3	5	2	2
	Ø6		3	3	3		
	Ø7				3	3	3
	Ø8			3	6	3	
	Ø2PED				2	2	2
	Ø4PED		2	2	4	2	2
	Ø6PED						
	Ø8PED			2	4	2	
	Ø2PPB				2	2	1
	Ø4PPB		1	1	1	2	1
Ø6PPB							
Ø8PPB				1	2		
PPB COMMON		1	1	1	2	1	
SPARE		3	3	3	6	3	
TOTAL #14		11	21	28	59	27	

CONDUCTOR SCHEDULE (CON)						
AWG	CONDUCTOR	CONDUIT RUN				
		1	2	3	4	5
DLC	Ø1			3	3	
	Ø2			3	3	3
	Ø3				2	2
	Ø4		3	3	3	
	Ø5				2	2
	Ø6			2	2	2
	Ø7		2	2	2	
	Ø8				3	3
TOTAL DLC		5	10	20	10	5
INTERCONNECT CABLE (I.C.)				2	2	1
CONDUIT SIZE		2"	3"	3"	2-3"	3 1/2"

INSTALL ALL NEW CONDUCTORS AND CONDUITS.

**CONSTRUCTION NOTES:**

- REMOVE EXIST. 6 PAIR #19 INTERCONNECT CABLE, REINSTALL INTERCONNECT CABLE AS SHOWN
- REMOVE EXIST. PULLBOX, REMOVE EXIST. INTERCONNECT CABLE FROM COUNTY CIRCLE DR.. CONNECT USING COUPLINGS AND CONDUIT AS REQUIRED. INSTALL NEW INTERCONNECT CABLE (6 PAIR #19) TO COUNTY CIRCLE DR.



POLE SCHEDULE											
NO.	POLE TYPE	HEIGHT	MAST ARM LENGTH		SIGNAL MOUNTING			PPB	H.P.S.	I.S.N.S.	REMARKS
			SIGNAL	LUMINAIRE	MA	POLE	PED				
A	26A-4-70	35'	40'	15'	MAS MAS(N)	SV-1-T	Ø4	2	400 W.	Hole Ave 10200(N)	EXIST. POLE, INSTALL NEW Ø6 & Ø1 SIGNAL HEADS
B	TYPE 30	35'		15'		SV-2-TB	SP-1-T		400 W.		INSTALL NEW POLE, & EQUIPMENT
C	24A-4-80	35'	35'	15'	2-MAS	SV-2-TB	SP-1-T	Ø8	2	Tyler St 3900	INSTALL NEW POLE, & EQUIPMENT
D	29A-5-80	35'	50'	15'	3-MAS	SV-1-T	SP-1-T	Ø8	4	Hole Ave 10300	INSTALL NEW POLE, & EQUIPMENT
E	TYPE 30	35'		15'		SV-2-TB	SP-1-T	Ø2	1	400 W.	INSTALL NEW POLE, & EQUIPMENT
F	26A-3-70	35'	40'	15'	MAS MAS(N)	SV-2-TB	SP-2-T	Ø4 4 Ø2 3	400 W.	Tyler St 4000(N)	RELOCATE EXISTING POLE & EQUIPMENT INSTALL NEW Ø7 SIGNAL HEAD.
G											
H											

EXACT POLE LOCATION TO BE DETERMINED IN THE FIELD BY THE ENGINEER  
ALL POLE AND EQUIPMENT EXISTING, UNLESS OTHERWISE INDICATED  
(N) = NEW AND/OR SEE REMARKS

**Underground Service Alert**  
Call: TOLL FREE  
1-800-422-4133  
TWO WORKING DAYS BEFORE YOU DIG

**PRIVATE ENGINEERING NOTE**  
CONSTRUCTION CONTRACTOR AGREES THAT IN ACCORDANCE WITH GENERALLY ACCEPTED CONSTRUCTION PRACTICES, CONSTRUCTION CONTRACTOR WILL BE REQUIRED TO ASSUME SOLE AND COMPLETE RESPONSIBILITY FOR JOB SITE CONDITIONS DURING THE COURSE OF CONSTRUCTION OF THE PROJECT, INCLUDING SAFETY OF ALL PERSONS AND PROPERTY, THAT THIS REQUIREMENT SHALL BE MADE TO APPLY CONTINUOUSLY AND NOT BE LIMITED TO NORMAL WORKING HOURS, AND CONSTRUCTION CONTRACTOR FURTHER AGREES TO DEFEND INDEMNIFY AND HOLD DESIGN PROFESSIONAL HARMLESS FROM ANY AND ALL LIABILITY, REAL OR ALLEGED, IN CONNECTION WITH THE PERFORMANCE OF WORK ON THIS PROJECT, EXCEPTING LIABILITY ARISING FROM THE SOLE NEGLIGENCE OF DESIGN PROFESSIONAL.



PREPARED UNDER THE DIRECTION OF  
*James B. Dobbins*  
REGISTERED CIVIL ENGINEER NO. 12977  
EXPIRATION DATE: 3/31/93  
RECOMMENDED BY:  
*James B. Dobbins*  
DATE: 12-19-90

**J.F. Davidson Associates, Inc.**  
ENGINEERING PLANNING SURVEYING  
ARCHITECTURE LANDSCAPE ARCHITECTURE  
MUNICIPAL ENGINEERING DIVISION  
3426 TENTH STREET  
RIVERSIDE, CA 92502  
(714) 683-0209 FAX (714) 686-5807  
SCALE: 1"=20'-0"  
BENCH MARK:  
DATE: DECEMBER, 90

DESIGNED BY: K.T.O. DRAWN BY: KTO/ROW CHECKED BY: *[Signature]*

**CITY OF RIVERSIDE, CALIFORNIA**  
**DEPARTMENT OF PUBLIC WORKS**  
APPROVED BY: *[Signature]* BY: DATE: 12/20/90  
PRINCIPAL ENGINEER  
INSPECTION  
TRAFFIC DIVISION  
PUB. UTILITIES

TYLER MALL EXPANSION  
C.F.D. # 90-2 IMPROVEMENTS  
TRAFFIC SIGNAL MODIFICATION PLAN  
**TYLER STREET AND HOLE AVENUE**  
HORIZ. SCALE: 1" VERT. SCALE: 1"  
PROJECT NO. X-417  
SHEET 1 OF 1  
FILE NO: 8911175

