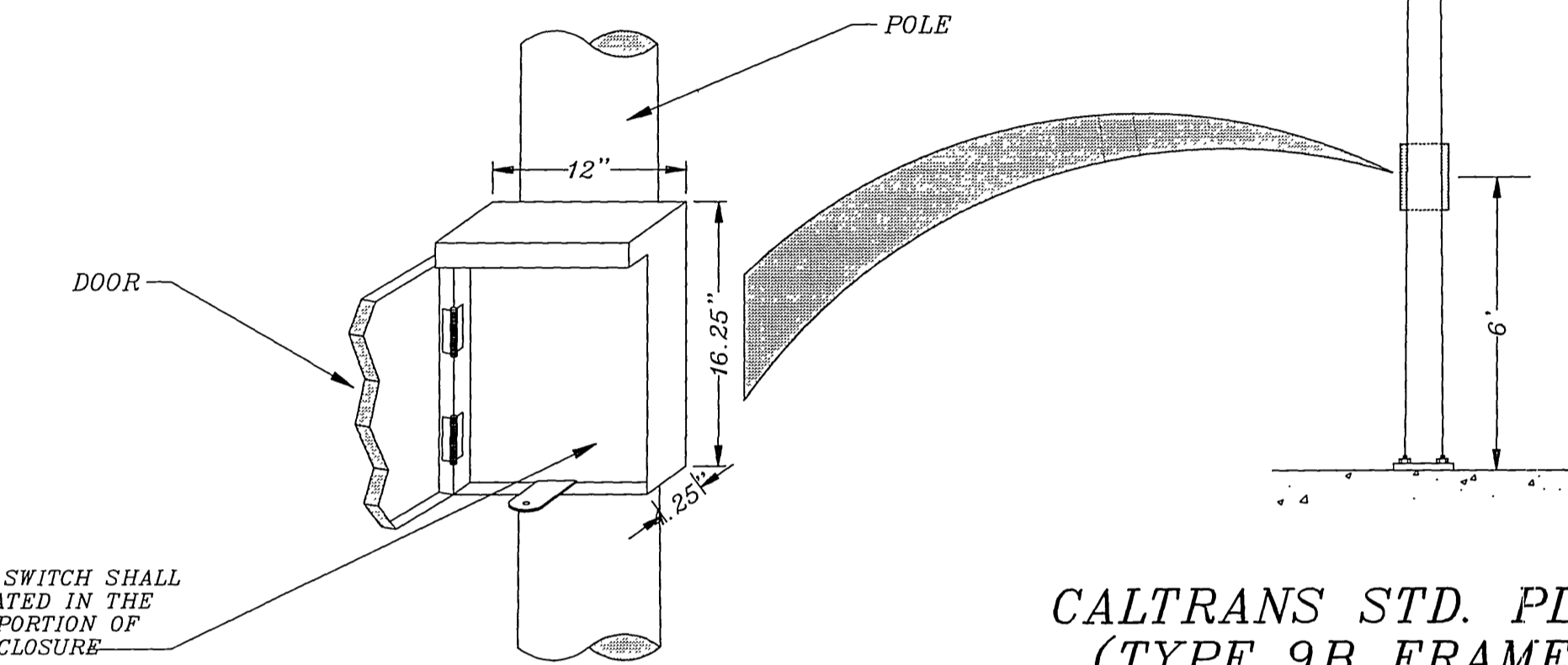


FLASHING BEACON
CONTROL ASSEMBLY ENCLOSURE
DETAIL



TOGGLE SWITCH SHALL
BE LOCATED IN THE
LOWER PORTION OF
THE ENCLOSURE

NOTE:
CIRCUITRY SHALL NOT BE
EXPOSED BY OPENING OF
DOOR ENCLOSURE; REMOV-
ABLE ALUMINUM SHEET SHALL
BE PROVIDED FOR MOUNTING
THE TOGGLE SWITCH.

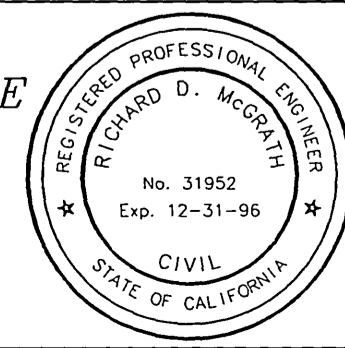
CALTRANS STD. PLAN ES-9A
(TYPE 9B FRAME DETAIL)

CONSTRUCTION NOTES

- 1 INSTALL CANTILEVER FLASHING BEACON (12" LENS) PER CALTRANS STANDARD PLAN ES-9A.
- 2 INSTALL W54 SIGN PER CALTRANS STANDARD PLAN ES-9A, TYPE 9B FRAME DETAILS.
- 3 INSTALL (2) 15 AMP INLINE FUSES FOR 120V SERVICE.
- 4 INSTALL FLASHING BEACON CONTROL ASSEMBLY ON POLE; CIRCUITRY AND COMPONENTS SHALL CONFORM TO CALTRANS STANDARD PLAN ES-4C. OTHER REQUIREMENTS ARE AS FOLLOWS:
 - A. THE ASSEMBLY ENCLOSURE SHALL BE WEATHERPROOF.
 - B. MATERIAL: ANODIZED ALUMINUM, 0.125" THICKNESS.
 - C. DOOR SHALL BE LOCKABLE BY PADLOCK.
 - D. CIRCUITRY SHALL INCORPORATE A SOLID STATE TIMER AND TOGGLE SWITCH FOR PROGRAMMING AND MANUAL OPERATIONS, RESPECTIVELY. SEE DETAIL FOR PLACEMENT OF TOGGLE SWITCH.
 - E. CIRCUITRY SHALL PROVIDE FOR ALTERNATING FLASHING OF THE BEACONS.
 - F. SEE DETAIL REGARDING ALUMINUM SHEETING.

IMPORTANT NOTICE
Section 4216/4217 of the Government Code requires a Dig Alert identification Number to be issued before a "Permit to Excavate" will be valid. For your Dig Alert I.D. Number call CALL TOLL FREE TWO WORKING DAYS BEFORE YOU DIG UNDERGROUND SERVICE ALERT 1-800-227-2600

ENGINEER IN RESPONSIBLE CHARGE
Richard D. McGrath
RICHARD D. McGRATH
R.C.E. No. 31952 expires 12-31-2000
DATE 6-26-98



MARK	REVISIONS	APPR.	DATE

CITY OF RIVERSIDE, CALIFORNIA
DEPARTMENT OF PUBLIC WORKS
APPROVED BY: *R. McGrath*
PRINCIPAL ENGINEER
P.W. INSPECTION: *MAC*
TRAFFIC DIVISION CHIEF P.W. ENGR.
PUBLIC UTILITIES: *MAC*

TRAFFIC SIGNAL
MADISON STREET @ EVANS STREET
ACCT. NO. 472-528120-440446-90162
X-460
SHEET 1 OF 1
FILE NAME: X460.DWC
SCALE: 1" = 20'

DESIGNED BY: MAC DRAWN BY: MAC CHECKED BY: *MAC* DATE: 6-26-98