

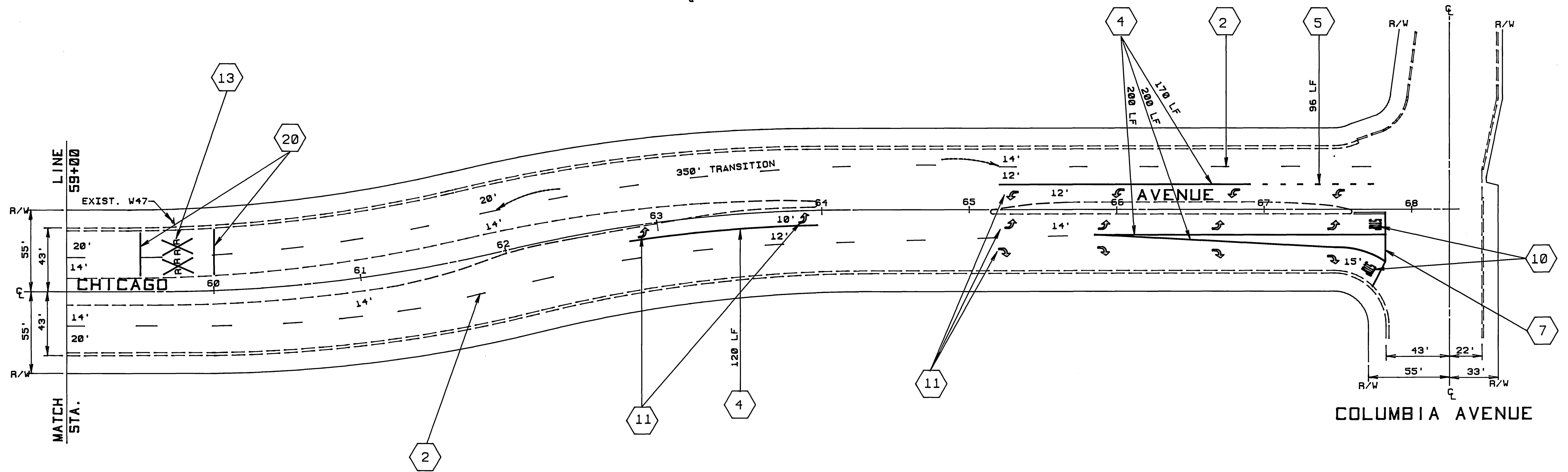
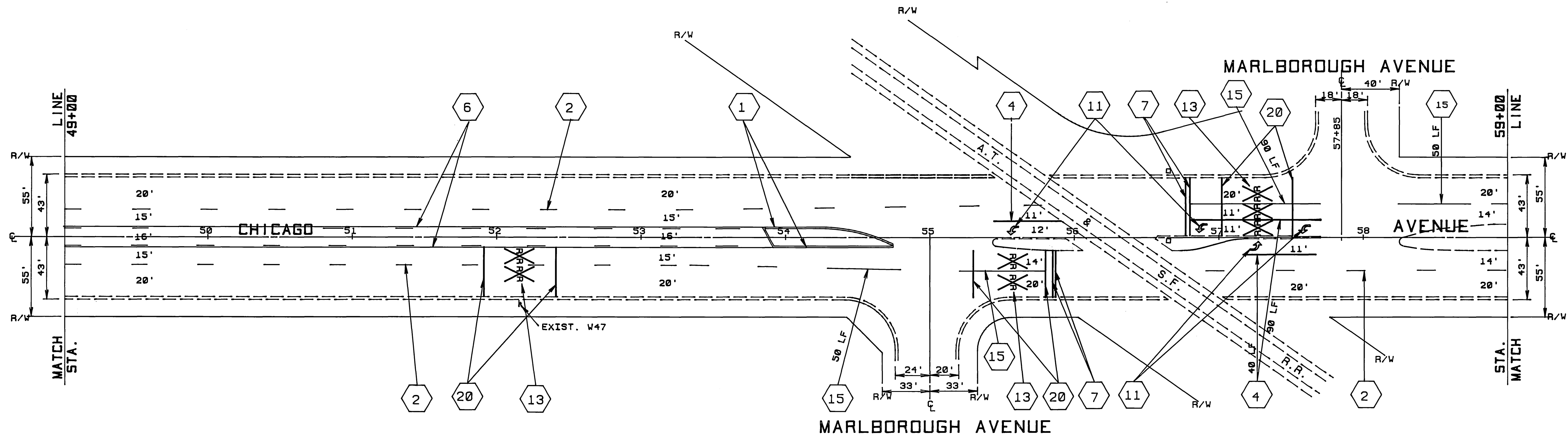
STRIPING & MARKING LEGEND

- ① INSTALL 4" DOUBLE YELLOW STRIPE
- ② INSTALL 4" SKIP WHITE STRIPE (12' STRIPE, 36' GAP)
- ③ INSTALL 4" SKIP WHITE STRIPE (7' STRIPE, 17' GAP)
- ④ INSTALL 8" SOLID WHITE STRIPE
- ⑤ INSTALL 8" SKIP WHITE STRIPE (3' STRIPE, 9' GAP)
- ⑥ INSTALL YELLOW TWO-WAY TURN LANE
- ⑦ INSTALL 12" SOLID WHITE MARKING
- ⑧ INSTALL 12" SOLID YELLOW MARKING
- ⑨
- ⑩ INSTALL SOLID WHITE "STOP" MARKING
- ⑪ INSTALL SOLID WHITE "ARROW" MARKING
- ⑫ INSTALL SOLID WHITE "SIGNAL" MARKING
- ⑬ INSTALL SOLID WHITE RAILROAD CROSSING MARKING
- ⑭ INSTALL "SLOW, SCHOOL XING" MARKINGS
- ⑮ INSTALL 4" SOLID WHITE STRIPE
- ⑯ INSTALL YELLOW HI-VISIBILITY CROSS-WALK
- ⑰ INSTALL 4" SKIP DOUBLE YELLOW STRIPE (6' STRIPE, 6' GAP)
- ⑱ PAINT RED CURB
- ⑲ INSTALL TWO-WAY YELLOW REFLECTIVE MARKERS (TYPE D @ 24" TO C)
- ⑳ INSTALL 24" SOLID WHITE MARKING.

CITY OF RIVERSIDE PUBLIC WORKS DEPARTMENT		REHABILITATION OF MAJOR CITY STREETS 1989 - 1990		ACCOUNT NO. 39-575-283-15
APPROVED BY: <i>[Signature]</i> DATE: 4/17/90 DEPUTY P.W. ENGINEER		APPROVED BY: <i>[Signature]</i> DATE: 4/17/90 PUBLIC WORKS DIRECTOR		XL-238 (R3050) SHEET 1 OF 2
DESIGNED BY: 86 DRAWN BY: R.M.L.CS CHECKED BY:		CHIEF P.W. INSPECTOR: <i>[Signature]</i> DATE: 4/17/90 TRAFFIC DIVISION: PARK & RECREATION		
HORIZ. SCALE: 1" = 40'				INDEXED 8-9-90



Richard M. Black 4/17/90



Richard McGrath 4/17/90

CITY OF RIVERSIDE PUBLIC WORKS DEPARTMENT		REHABILITATION OF MAJOR CITY STREETS 1989 - 1990 CHICAGO AVENUE SPRUCE TO COLUMBIA		ACCOUNT NO. 98-575-283-15 XL-238 (R3050) SHEET 2 OF 2
APPROVED BY DEPUTY P. V. ENGINEER PRINCIPAL ENGINEER SURVEYOR CHIEF P. V. INSPECTOR TRAFFIC DIVISION	DATE 4/17/90 4/13/90 4/18/90 4/17/90	APPROVED BY PUBLIC WORKS DIRECTOR	DATE 4/17/90	
DESIGNED BY <u>BG</u> DRAWN BY <u>CS</u> CHECKED BY _____	HORIZ. SCALE: 1" = 40'			

INDEXED 8-9-90