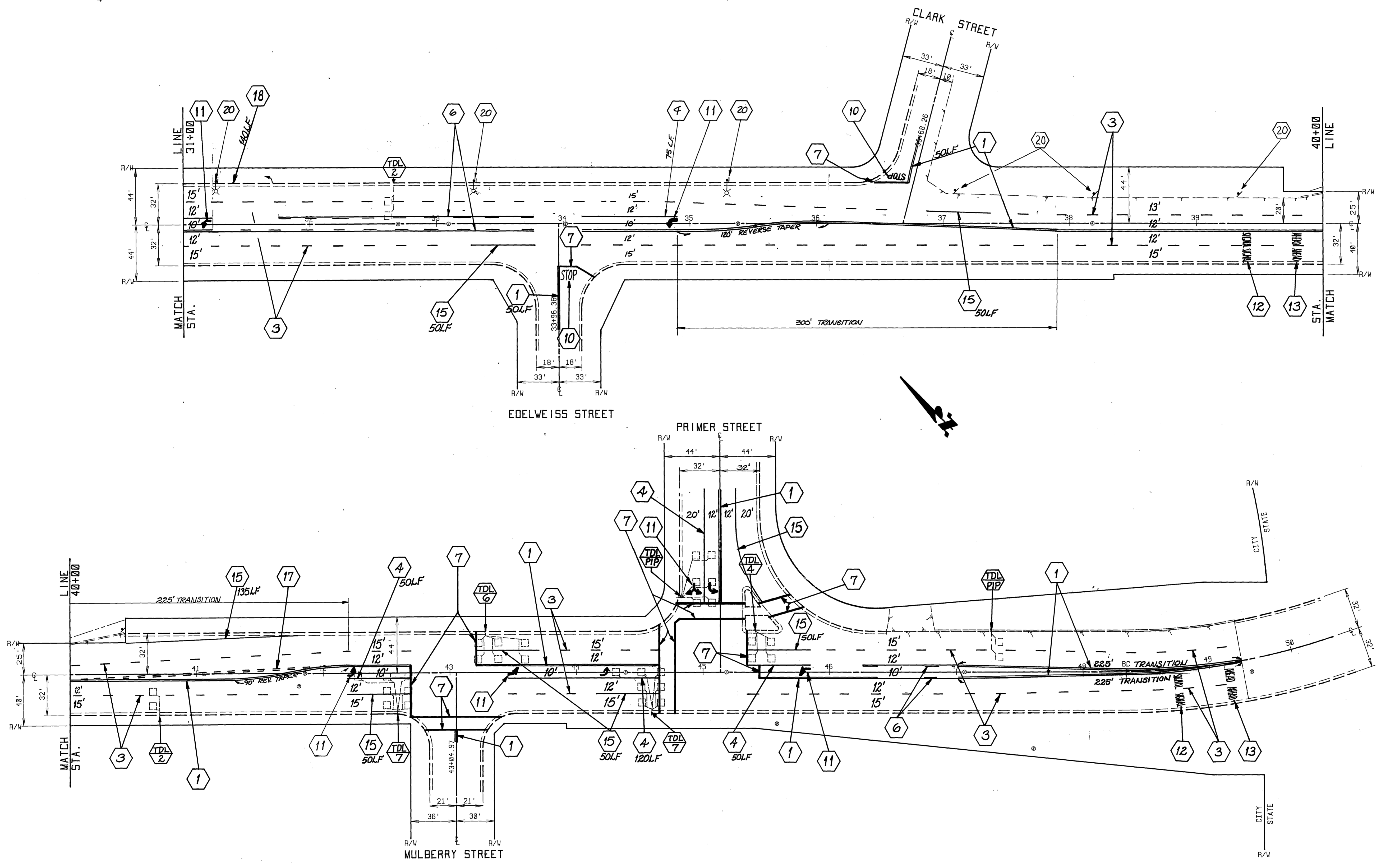


STRIPING & MARKING LEGEND

- 1 INSTALL 4" DOUBLE YELLOW STRIPE
- 2 INSTALL 4" SKIP WHITE STRIPE (12' STRIPE, 36' GAP)
- 3 INSTALL 4" SKIP WHITE STRIPE (7' STRIPE, 17' GAP)
- 4 INSTALL 8" SOLID WHITE STRIPE
- 5 INSTALL 8" SKIP WHITE STRIPE (3' STRIPE, 9' GAP)
- 6 INSTALL YELLOW TWO-WAY TURN LANE
- 7 INSTALL 12" SOLID WHITE MARKING
- 8 INSTALL 12" SOLID YELLOW MARKING
- 9
- 10 INSTALL SOLID WHITE "STOP" MARKING
- 11 INSTALL SOLID WHITE "ARROW" MARKING
- 12 INSTALL SOLID WHITE "SIGNAL" MARKING
- 13 INSTALL SOLID WHITE "AHEAD" MARKING
- 14 INSTALL "SLOW, SCHOOL, XING" MARKINGS
- 15 INSTALL 4" SOLID WHITE STRIPE
- 16 INSTALL YELLOW HI-VISIBILITY CROSS-WALK
- 17 INSTALL 4" SKIP DOUBLE YELLOW STRIPE (6' STRIPE, 6' GAP)
- 18 PAINT RED CURB
- 19 INSTALL TWO-WAY YELLOW REFLECTIVE MARKERS (TYPE D, R 24" TO C)
- 20 INSTALL R-26 SIGN

CITY OF RIVERSIDE				REHABILITATION OF MAJOR CITY STREETS (FAU) 89-90		ACCOUNT NO. 38-575-285-88	
PUBLIC WORKS DEPARTMENT				COLUMBIA AVENUE MAIN TO FREEWAY 91		XL-254	
APPROVED BY		DATE		APPROVED BY		DATE	
DEPUTY P.W. ENGINEER				PUBLIC WORKS DIRECTOR			
PRINCIPAL ENGINEER							
SURVEYOR							
CHIEF P.W. INSPECTOR							
TRAFFIC DIVISION							
DESIGNED BY TRC		DRAWN BY RJM		CHECKED BY		DATE 1/27/92	
				HORIZ. SCALE: 1" = 40'		VERT. SCALE: 1" =	
						SHEET 1 OF 2	



CITY OF RIVERSIDE PUBLIC WORKS DEPARTMENT				REHABILITATION OF MAJOR CITY STREETS (FAU) 89-90		ACCOUNT NO. 38-575-283-86
				COLUMBIA AVENUE MAIN TO FREEWAY 91		XL-254 (R-3143) SHEET 2 OF 2
APPROVED BY <small>DEPUTY P.W. ENGINEER</small>	DATE	BY <small>PRINCIPAL ENGINEER</small>	APPROVED BY <small>SURVEYOR</small>	PUBLIC WORKS DIRECTOR	HORIZ. SCALE: 1" = 40' VERT. SCALE: 1" =	
MARK <small>DESIGNED BY TRC</small>	REVISIONS	APPR. DATE <small>DRAWN BY RJM</small>	CHIEF P.W. INSPECTOR <small>TRAFFIC DIVISION</small>	DATE 1/27/92		