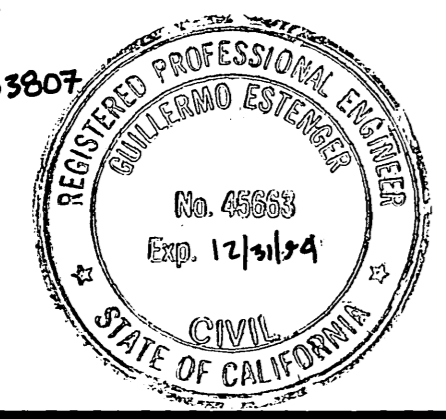


GENERAL NOTES

1. TRAFFIC STRIPES, PAVEMENT MARKINGS & RAISED PAVEMENT MARKERS PER CALTRANS TRAFFIC MANUAL, MAINTENANCE MANUAL, STANDARD PLANS AND STANDARD SPECIFICATIONS LATEST EDITION.
2. ALL SIGNS TO BE INSTALLED ON 4" X 4" WOOD POSTS, OR AS DIRECTED BY THE ENGINEER. ALL SIGNS SHALL BE STANDARD SIZE UNLESS OTHERWISE NOTED ON PLANS.
3. ALL STRIPES, SIGNS AND PAVEMENT MARKINGS SHALL BE REFLECTORIZED. STENCILS FOR PAVEMENT MARKINGS SHALL MATCH COUNTY STENCILS.
4. ALL CONFLICTING STRIPES AND PAVEMENT MARKINGS SHALL BE REMOVED BY SANDBLASTING. CONFLICTING SIGNS AND RAISED PAVEMENT MARKERS SHALL BE REMOVED. REMOVAL SHALL BE THE RESPONSIBILITY OF THE DEVELOPER.
5. TRAFFIC STRIPES AND MARKERS SHALL BE APPLIED IN TWO COATS.
6. ALL REMOVED SIGNS IN GOOD CONDITION SHALL BE SALVAGED AND DELIVERED TO THE COUNTY YARD.
7. ALL STRIPING SHOWN PER APPLICABLE CALTRANS DETAILS.
8. THE CONTRACTOR SHALL INSTALL SIGNING, STRIPING & PAVEMENT MARKINGS IN ACCORDANCE WITH APPROVED PLAN, WITH ALL INCURRED COSTS BORN BY THE DEVELOPER.
9. ALL EXIST. STRIPING SHALL BE REPAINTED AS NECESSARY OR AS DIRECTED BY THE ENGINEER.

NOTE
 PRIOR TO FINAL STRIPING CALL TRAFFIC ENGINEERING FOR INSPECTION OF STREET REMARKING.
 CITY OF RIVERSIDE (714) 702-5000
 COUNTY OF RIVERSIDE (714) 275-6896

REVISION Δ PREPARED BY: *Bill Estenger* DATE: 11-19-92
 BILL ESTENGER, RCE 45663
 ADVANTAGE NETWORK
 29275 STYUS CT
 QUAIL VALLEY, 92587
 CITY BUSINESS LICENSE #053807
 EXPIRES 7-7-95



COUNTY OF RIVERSIDE
 TRANSPORTATION DEPT.
 APPROVED BY: *Ronald Gonne* DATE: 6-18-92
Kawran Wajid DATE: 6/16/92
 RECOMMENDED DATE

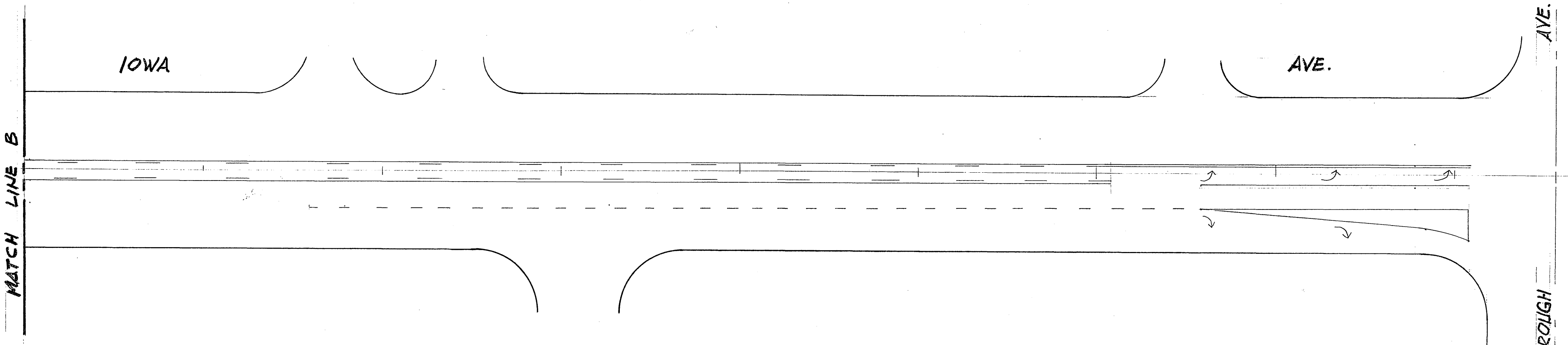
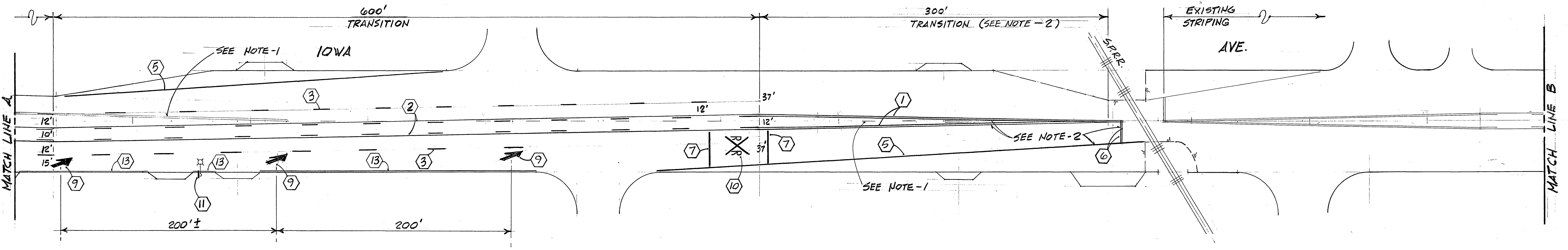
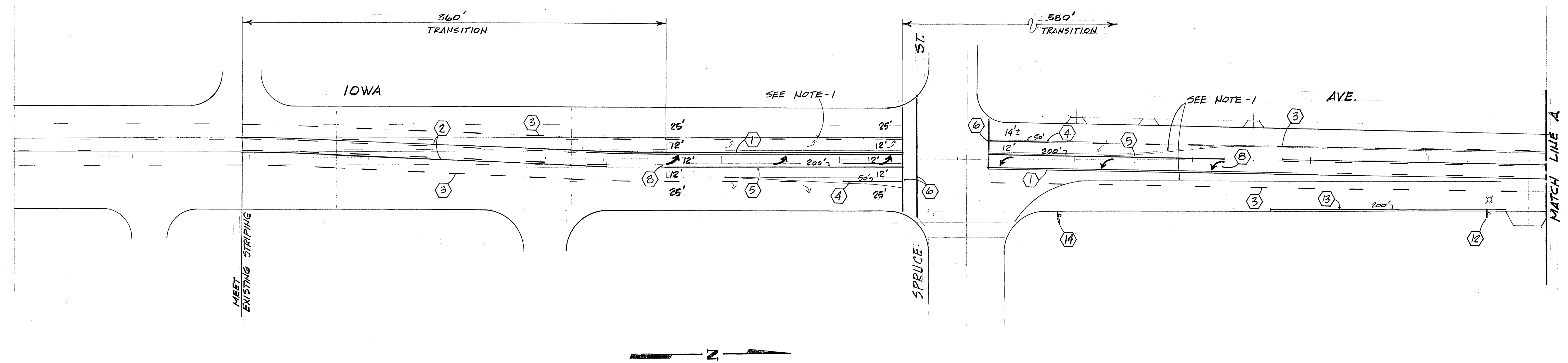


ALBERT A. WEBB ASSOCIATES
 CIVIL ENGINEERS
 RIVERSIDE, CALIFORNIA
 APPROVED BY: *Matthew E. Webb* DATE: 6/1/92
 R.E. No. 37385

MARK	REVISIONS	APPR. DATE
Δ	EXTENDING PAINTING OF C.F. YELLOW REFLECTIVE	6/1/92

CITY OF RIVERSIDE, CALIFORNIA
 PUBLIC WORKS DEPARTMENT
 APPROVED BY: *[Signature]* DATE: 6/26/92
 PRINCIPAL ENGINEER
 PARK DEPARTMENT
 TRAFFIC DIVISION
 CHIEF PUB. WKS. ENGR.

ACCOUNT No. XL-258
 DRAWING NUMBER XL-258
 SHEET 1 OF 1
 90-325-A
 ALESSANDRO BLVD.
 STRIPING
 C-1-901
 SCALE: 1" = 20'



NOTE: 1. REMOVE ANY CONFLICTING EXISTING STRIPING & MARKINGS.
 2. ALL STRIPING & MARKINGS IN 300 FT. TRANSITION AREA TO BE PAVEMENT MARKING TAPE.

STRIPING, MARKING, AND SIGNING LEGEND

- ① INSTALL 4" DOUBLE YELLOW STRIPE.
- ② INSTALL TWO-WAY TURN LANE.
- ③ INSTALL 4" SKIP WHITE STRIPE. (12" STRIPE, 36" GAP)
- ④ INSTALL 4" SOLID WHITE STRIPE.
- ⑤ INSTALL 8" SOLID WHITE STRIPE.
- ⑥ INSTALL 12" SOLID WHITE STRIPE.
- ⑦ INSTALL 24" SOLID WHITE STRIPE. (USE PAVEMENT MARKING TAPE)
- ⑧ INSTALL SOLID WHITE ARROW.
- ⑨ INSTALL SOLID WHITE LANE DROP ARROW. (USE PAVEMENT MARKING TAPE)
- ⑩ INSTALL SOLID WHITE RAILROAD MARKINGS. (USE PAVEMENT MARKING TAPE)
- ⑪ INSTALL W11 SIGN (48").
- ⑫ INSTALL W75 (LT.) SIGN (48").
- ⑬ PAINT EXISTING CURB RED.
- ⑭ REMOVE EXISTING W11 SIGN & POST.

City of Riverside
 Public Works Department
 Traffic Engineering Division

Design: Bob G. Checked: Bob G. Approved: [Signature]
 Drawn: Bob G. As Built: [Signature] City Traffic Engineer
 Revisions: [Blank] Date: 10/1/90

STRIPING & SIGNING
 FOR IOWA AVE
 500' TO SPRUCE ST.
 TO S.P.R.R.

Scale: 1"=40'
 XL-258
 Sheet 1 of 1