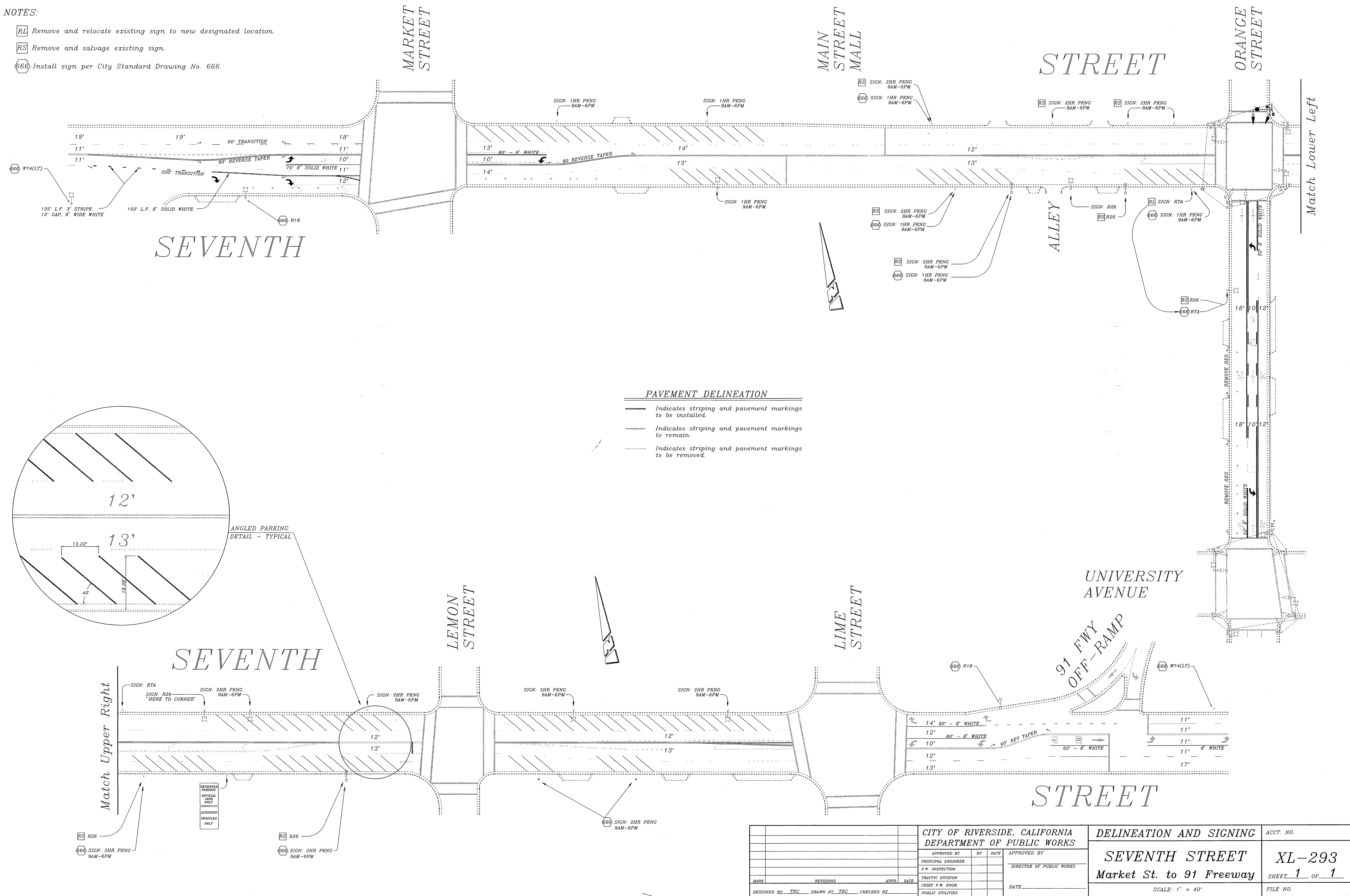


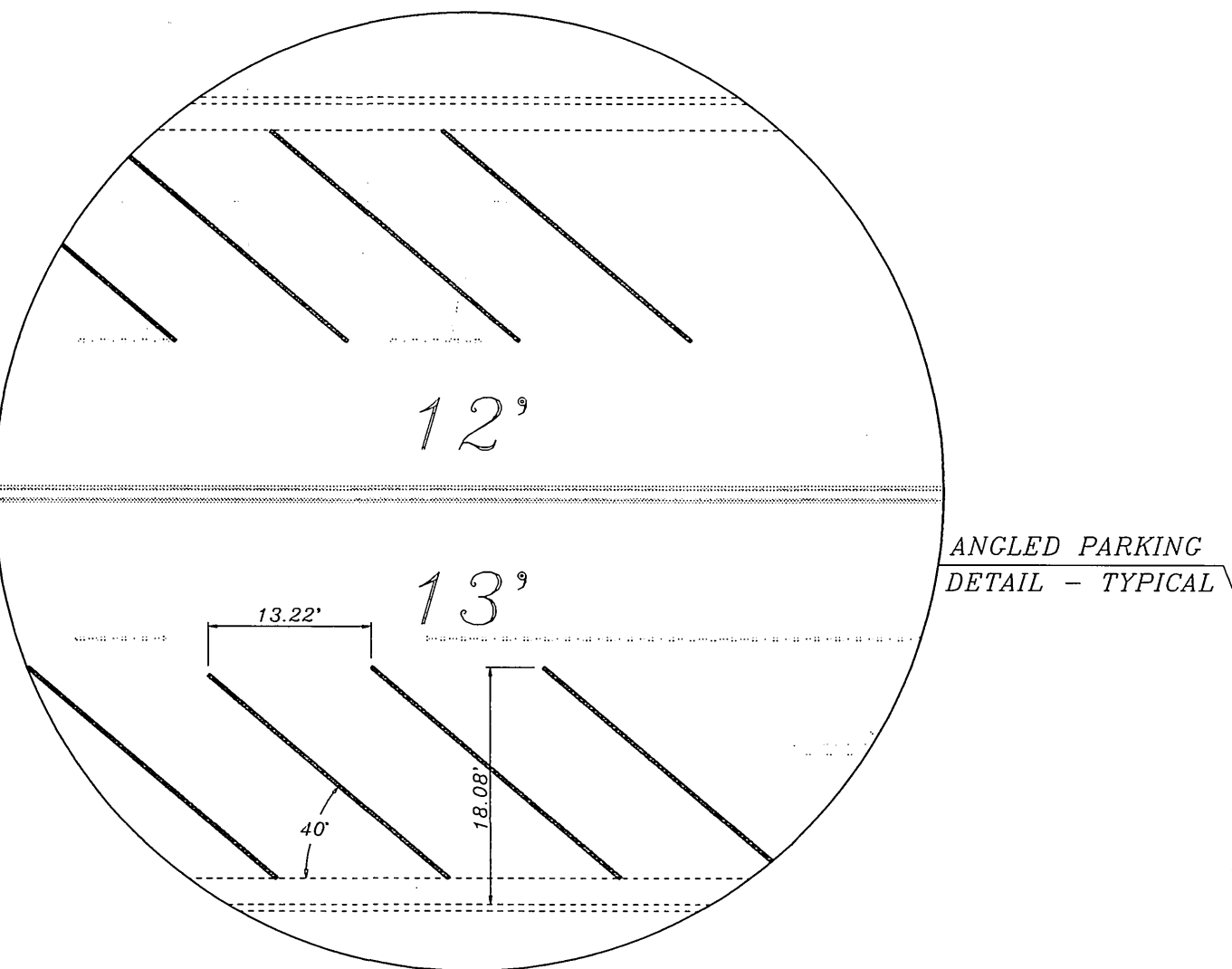
NOTES:

- RL Remove and relocate existing sign to new designated location.
- RS Remove and salvage existing sign.
- 666 Install sign per City Standard Drawing No. 666.



PAVEMENT DELINEATION

- Indicates striping and pavement markings to be installed.
- Indicates striping and pavement markings to remain.
- Indicates striping and pavement markings to be removed.



CITY OF RIVERSIDE, CALIFORNIA DEPARTMENT OF PUBLIC WORKS				DELINEATION AND SIGNING	ACCT. NO.
APPROVED BY		BY DATE		APPROVED BY	
PRINCIPAL ENGINEER				DIRECTOR OF PUBLIC WORKS	
P.W. INSPECTION				SEVENTH STREET Market St. to 91 Freeway SCALE: 1" = 40' SHEET 1 OF 1	
TRAFFIC DIVISION					
CHIEF P.W. ENGR.					
PUBLIC UTILITIES				FILE NO.	
DESIGNED BY TRC		DRAWN BY TRC		CHECKED BY	