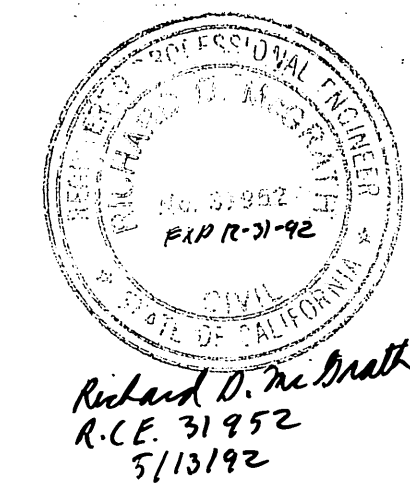


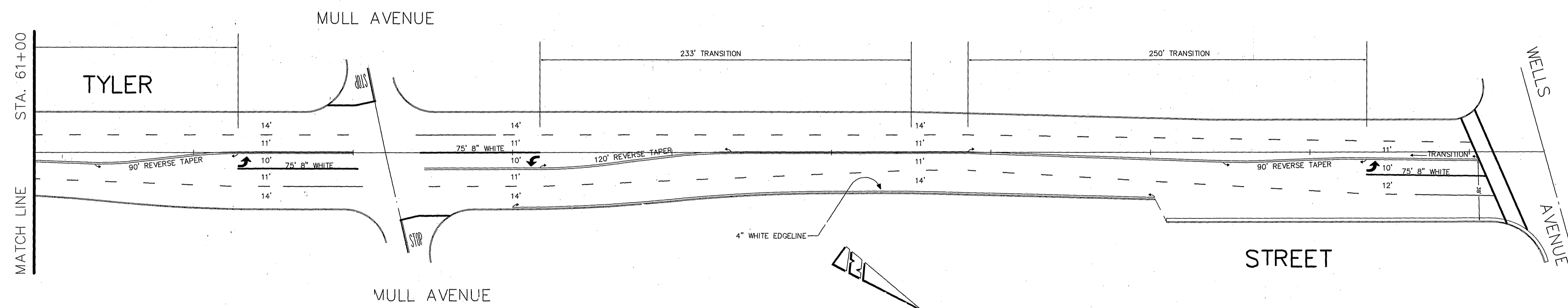
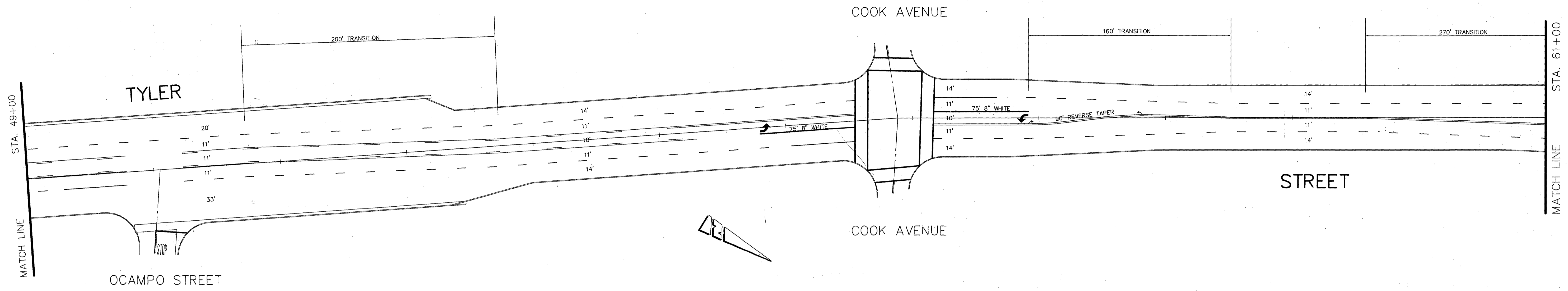
GENERAL NOTES

- 1 — Signing shall be installed per Street Improvement Plan R-3078.
- 2 — Lane striping shall be 4" White with 7' paint, 17' gap.



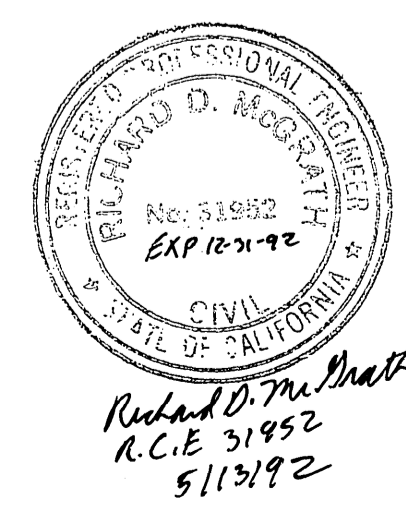
CITY OF RIVERSIDE, CALIFORNIA DEPARTMENT OF PUBLIC WORKS				STRIPING AND SIGNING TYLER ST. WIDENING FROM HOLE AVENUE TO WELLS AVENUE		ACCT. NO. 30-575-262-07
APPROVED BY	BY	DATE	APPROVED BY	BY	DATE	XL-301 SHEET 1 OF 2
PRINCIPAL ENGINEER	[Signature]	5/13/92	DIRECTOR OF PUBLIC WORKS	[Signature]	5/13/92	
P.W. INSPECTION	[Signature]		CHIEF P.W. ENGR.	[Signature]		
TRAFFIC DIVISION	[Signature]		PUBLIC UTILITIES	[Signature]		
DESIGNED BY	DRAWN BY	CHECKED BY	HORIZ. SCALE: 1" = 40'			FILE NO.

INDEXED 2/4/11



GENERAL NOTES

- 1 — Signing shall be installed per Street Improvement Plan R-3078.
- 2 — Lane striping shall be 4" White with 7' paint, 17' gap.



CITY OF RIVERSIDE, CALIFORNIA DEPARTMENT OF PUBLIC WORKS				STRIPING AND SIGNING TYLER ST. WIDENING FROM HOLE AVENUE TO WELLS AVENUE		ACCT. NO. 30-575-262-07
APPROVED BY	BY	DATE	APPROVED BY	BY	DATE	XL-301 SHEET 2 OF 2
PRINCIPAL ENGINEER	[Signature]	5/13/92	DIRECTOR OF PUBLIC WORKS	[Signature]	5/13/92	
P.W. INSPECTION	[Signature]					
TRAFFIC DIVISION	[Signature]					
DESIGNED BY	JRC	DRAWN BY	JRC	CHECKED BY	[Signature]	HORIZ. SCALE: 1" = 40'
				PUBLIC UTILITIES		FILE NO.