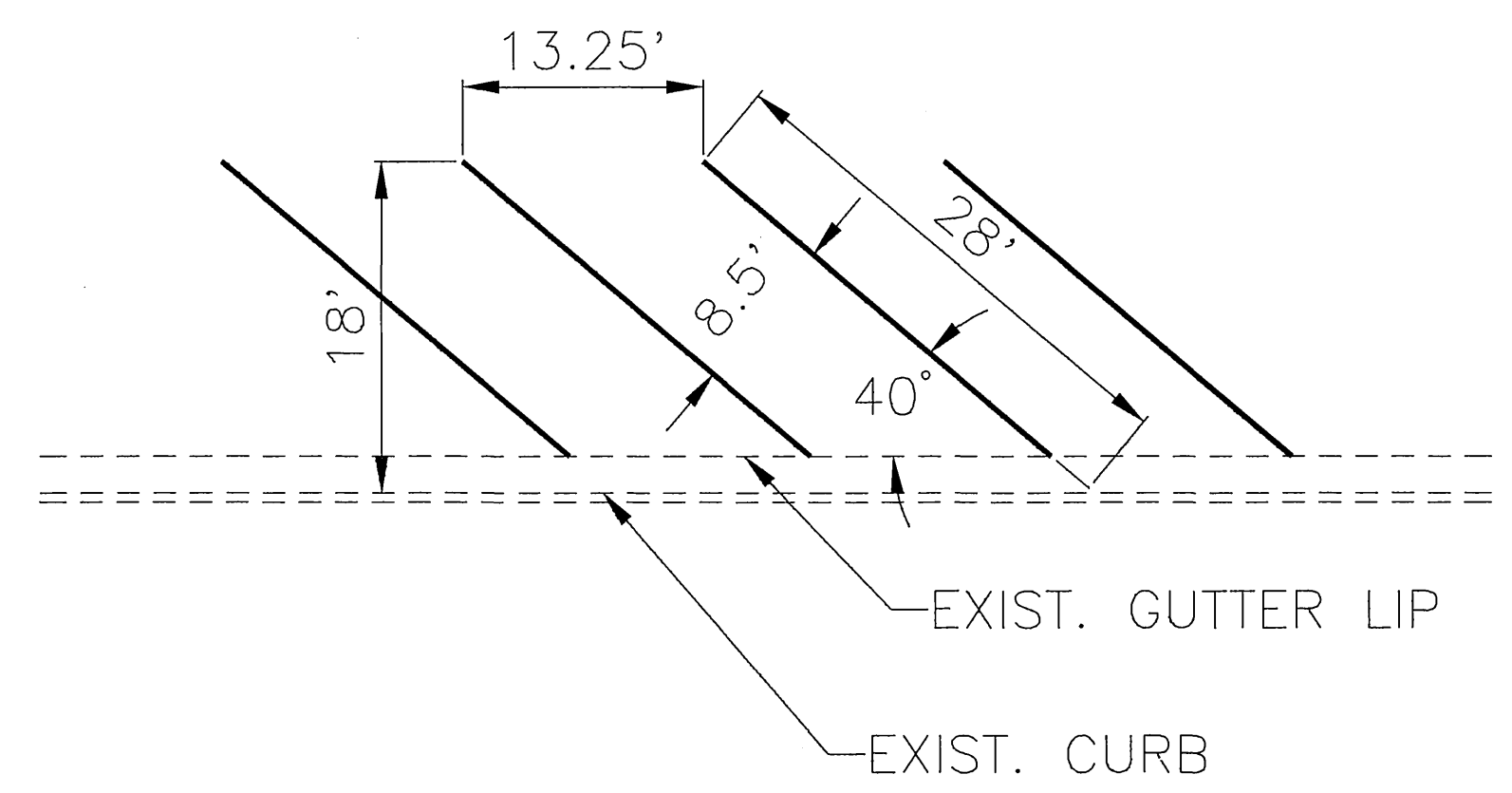


**STRIPING & MARKING LEGEND**

- (A) 8" SOLID WHITE STRIPE
- (B) 4" SOLID WHITE STRIPE
- (C) 4" SOLID DOUBLE YELLOW STRIPE
- (D) SOLID WHITE "STOP" LEGEND
- (E) PAINT EXISTING CURB RED
- (F) REMOVE EXISTING YELLOW PAINT FROM CURB.
- (G) 12" SOLID WHITE STRIPE



**TYPICAL PARKING STALL LAYOUT**

- NOTES:
1. REMOVE ANY EXISTING CONFLICTING STRIPING AND MARKINGS.
  2. REMOVE EXISTING R18 & R26 SIGNS AND POST.

CITY OF RIVERSIDE DEPARTMENT OF PUBLIC WORKS TRAFFIC ENGINEERING DIVISION		STRIPING & MARKING PLAN	SCALE: 1" = 20'
DESIGN: Bob G.	APPROVED BY: <i>[Signature]</i>	VINE STREET PARKING STALLS 7TH ST. TO 3RD ST.	XL-329
DRAWN: Bob G.	CITY TRAFFIC ENGINEER DATE: 12/19/20		
CHECKED: Bob G.	REVISIONS:	SHEET 1 OF 1	