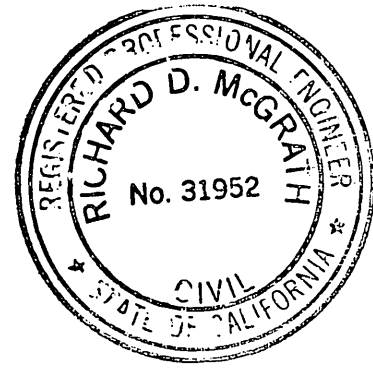


STRIPING & MARKING LEGEND

- (A) 4" SKIP WHITE STRIPE (12' STRIPE, 36" GAP), WITH TYPE G ONE-WAY CLEAR REFLECTIVE MARKERS AT 48" SPACING.
- (B) 4" SOLID WHITE STRIPE (50 L.F.), WITH TYPE G ONE-WAY CLEAR REFLECTIVE MARKERS AT 24" SPACINGS.
- (C) 6" SOLID WHITE STRIPE, WITH TYPE G ONE-WAY CLEAR REFLECTIVE MARKERS AT 24" SPACING.
- (D) 12" SOLID WHITE MARKING.
- (E) REMOVE EXISTING ARROW AND INSTALL SOLID WHITE ARROW.
- (F) REMOVE EXISTING "RRXING" MARKING AND PAINT "RR XING" MARKING.
- (G) PAINT MEDIAN NOSE WITH REFLECTIVE YELLOW PAINT.
- (H) SOLID WHITE ARROW.
- (R) REMOVE ANY CONFLICTING EXISTING STRIPING OR MARKINGS.
- (J) 24" SOLID WHITE MARKING.
- (K) YELLOW TWO-WAY TURN LANE.

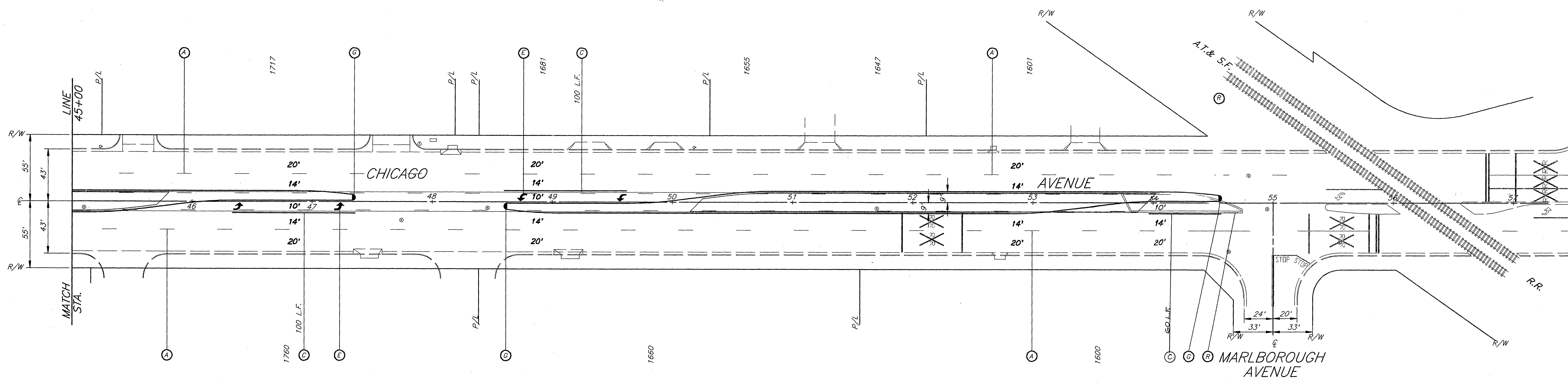
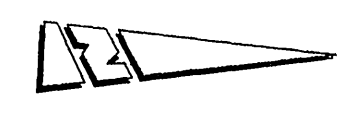


ENGINEER IN RESPONSIBLE CHARGE
Richard D. McGrath
 RICHARD D. McGRATH
 R.C.E. No. 31952 expires 12/31/96
 DATE 5-17-97

CITY OF RIVERSIDE, CALIFORNIA PUBLIC WORKS DEPARTMENT	
APPROVED BY	DATE
DEPUTY P.W. DIRECTOR	5/13/97
PRINCIPAL ENGINEER	5/14/97
CHIEF P.W. INSPECTOR	5/14/97
STREET SERVICES	5/14/97
SURVEYOR	5/14/97
TRAFFIC DIVISION	5/14/97
PARKS DEPARTMENT	5/16/97

STRIPING AND SIGNING PLAN
 CHICAGO AVENUE
 MEDIANS
 S.P.R.R. TO MARLBOROUGH AVE
 HORIZ. SCALE: 1" = 40'

ACCT. NO. 430-541500-440222-30083
 XL-337
 SHEET 1 OF 2
 FILE NO.



STRIPING & MARKING LEGEND

- (A) 4" SKIP WHITE STRIPE (12' STRIPE, 36" GAP), WITH TYPE G ONE-WAY CLEAR REFLECTIVE MARKERS AT 48' SPACING.
- (B) 4" SOLID WHITE STRIPE (50 L.F.), WITH TYPE G ONE-WAY CLEAR REFLECTIVE MARKERS AT 24' SPACING.
- (C) 8" SOLID WHITE STRIPE, WITH TYPE G ONE-WAY CLEAR REFLECTIVE MARKERS AT 24' SPACING.
- (D) 12" SOLID WHITE MARKING.
- (E) REMOVE EXISTING ARROW AND PAINT SOLID WHITE ARROW.
- (F) REMOVE EXISTING "RR XING" MARKING AND INSTALL "RR XING" MARKING.
- (G) PAINT MEDIAN NOSE WITH REFLECTIVE YELLOW PAINT.
- (H) SOLID WHITE ARROW.
- (R) REMOVE ANY CONFLICTING EXISTING STRIPING OR MARKINGS.
- (J) 24" SOLID WHITE MARKING.



ENGINEER IN RESPONSIBLE CHARGE
Richard D. McGrath
 RICHARD D. McGRATH
 R.C.E. No. 31952 expires 12/31/96
 DATE 5-13-94

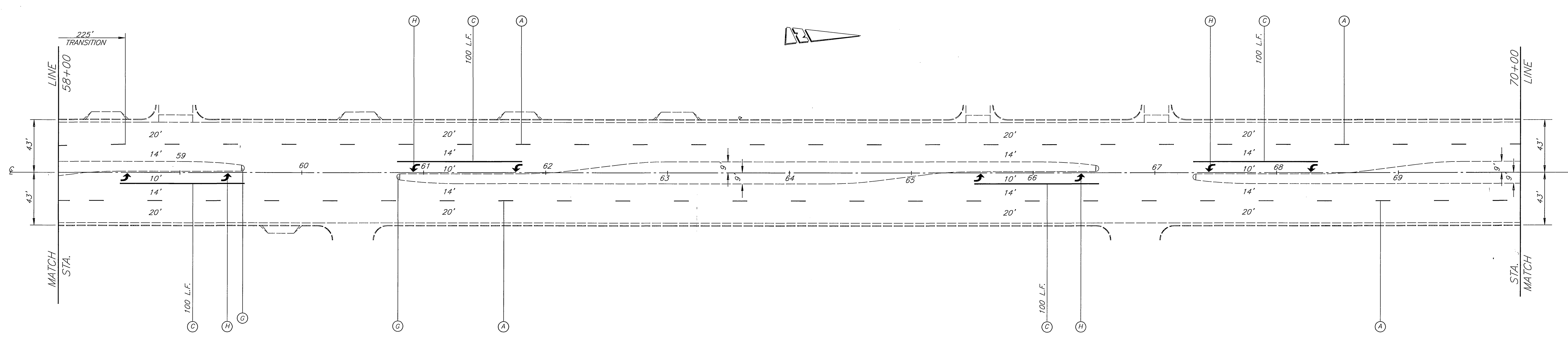
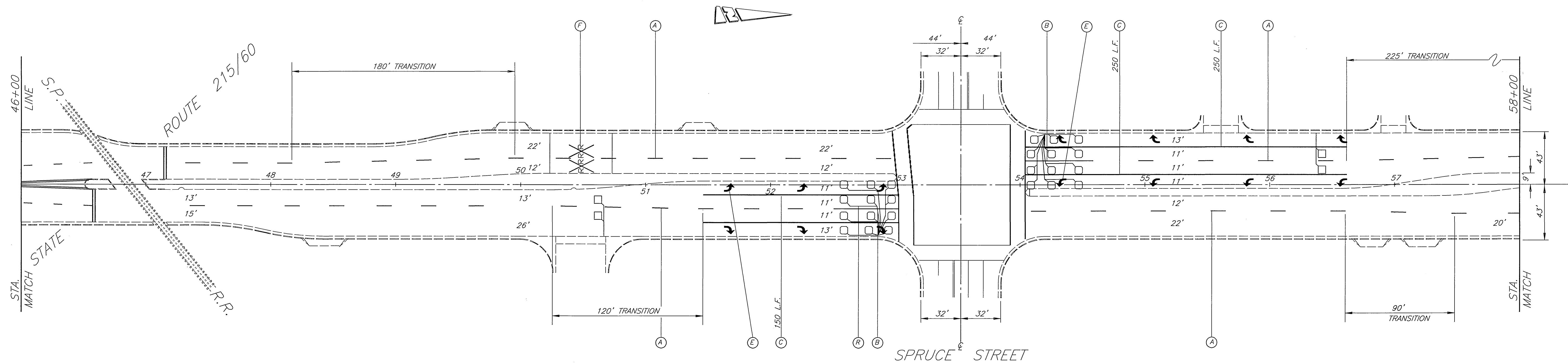
MARK	REVISIONS	APPR.	DATE

CITY OF RIVERSIDE, CALIFORNIA PUBLIC WORKS DEPARTMENT			
APPROVED BY	BY	DATE	APPROVED BY
DEPUTY P.W. DIRECTOR	<i>R.D.M.</i>	5/10/94	<i>Barry</i>
PRINCIPAL ENGINEER	<i>R.D.M.</i>	5/12/94	PUBLIC WORKS DIRECTOR
CHIEF P.W. INSPECTOR	<i>R.D.M.</i>	5/12/94	
STREET SERVICES	<i>R.D.M.</i>	5/16/94	
SURVEYOR	<i>R.D.M.</i>	5/16/94	
TRAFFIC DIVISION	<i>R.D.M.</i>	5/16/94	
PARKS DEPARTMENT	<i>R.D.M.</i>	5/16/94	

STRIPING AND SIGNING PLAN
**CHICAGO AVENUE
 MEDIANS**
 S.P.R.R. TO MARLBOROUGH AVE
 HORIZ. SCALE: 1" = 40'

ACCT. NO. 430-541500-440222-30083
XL-337
 SHEET 2 OF 2
 FILE NO.

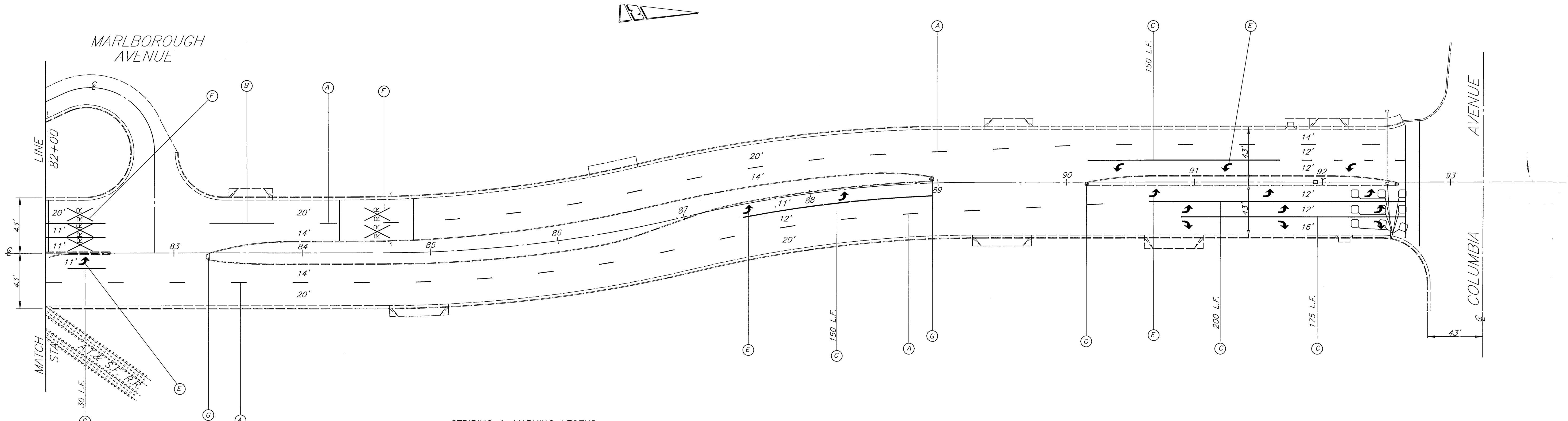
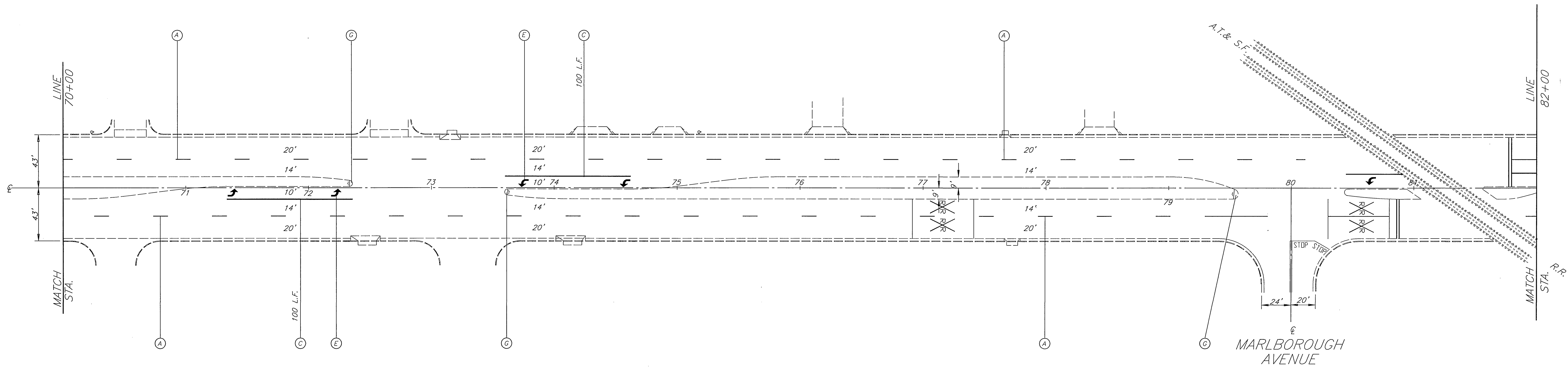
DESIGNED BY R.G. FANN DRAWN BY CURT CHECKED BY *Rd*



STRIPING & MARKING LEGEND

- (A) 4" SKIP WHITE STRIPE (12' STRIPE, 36" GAP)
- (B) 4" SOLID WHITE STRIPE (50 L.F.)
- (C) 8" SOLID WHITE STRIPE
- (D) 12" SOLID WHITE MARKING
- (E) SOLID WHITE ARROW
- (F) "RR XING" MARKING
- (G) PAINT MEDIAN NOSE WITH REFLECTIVE YELLOW PAINT
- (R) REPLACE TRAFFIC SIGNAL LOOPS

CITY OF RIVERSIDE, CALIFORNIA DEPARTMENT OF PUBLIC WORKS				STRIPING PLAN CHICAGO AVENUE S.P.R.R. TO COLUMBIA ARTERIAL ST. REHAB. 2001/2002		AGCT. NO. 9543030214-44030200
APPROVED BY ENGINEERING MANAGER PRINCIPAL ENGINEER P.W. INSPECTION TRAFFIC DIVISION PUBLIC UTILITIES	BY [Signature] [Signature] [Signature]	DATE 1/30/03 1/23/02	APPROVED BY [Signature] DIRECTOR OF PUBLIC WORKS	XL-337 SHEET 3 OF 4		FILE NAME: XL337-3.DWG
DESIGNED BY: MAC DRAWN BY: MAC CHECKED BY:			SCALE: 1" = 40'			



- STRIPING & MARKING LEGEND**
- (A) 4" SKIP WHITE STRIPE (12' STRIPE, 36' GAP)
 - (B) 4" SOLID WHITE STRIPE (50 L.F.)
 - (C) 8" SOLID WHITE STRIPE
 - (D) 12" SOLID WHITE MARKING
 - (E) SOLID WHITE ARROW
 - (F) "RR XING" MARKING
 - (G) PAINT MEDIAN NOSE WITH REFLECTIVE YELLOW PAINT.

CITY OF RIVERSIDE, CALIFORNIA DEPARTMENT OF PUBLIC WORKS				STRIPING PLAN		ACCT. NO. 9543030214-44030200	
APPROVED BY ENGINEERING MANAGER				BY <i>Alan Best</i>		DATE 1/31/03	
PRINCIPAL ENGINEER				DIRECTOR OF PUBLIC WORKS		CHICAGO AVENUE S.P.R.R. TO COLUMBIA ARTERIAL ST. REHAB. 2001/2002	
R.W. INSPECTION				DATE		SHEET 4 OF 4	
TRAFFIC DIVISION				DATE		FILE NAME: XL337-4.DWG	
PUBLIC UTILITIES				DATE		SCALE: 1" = 40'	
DESIGNED BY: MAC DRAWN BY: MAC CHECKED BY:				DATE			