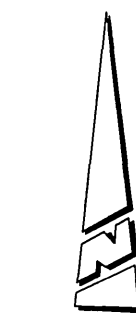
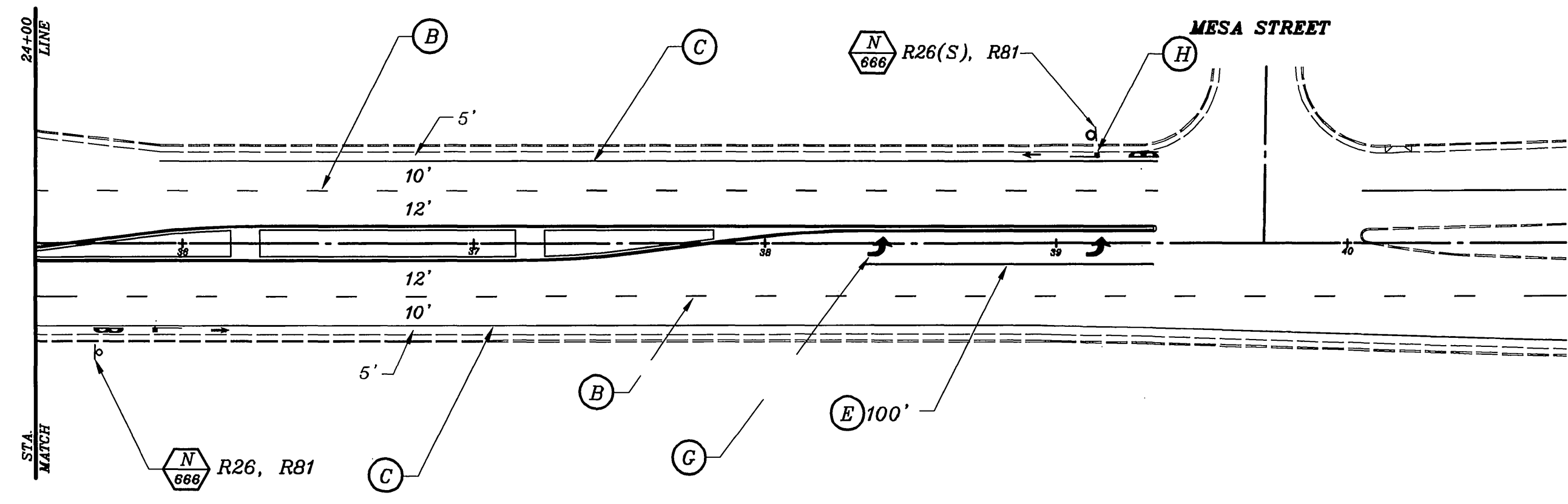
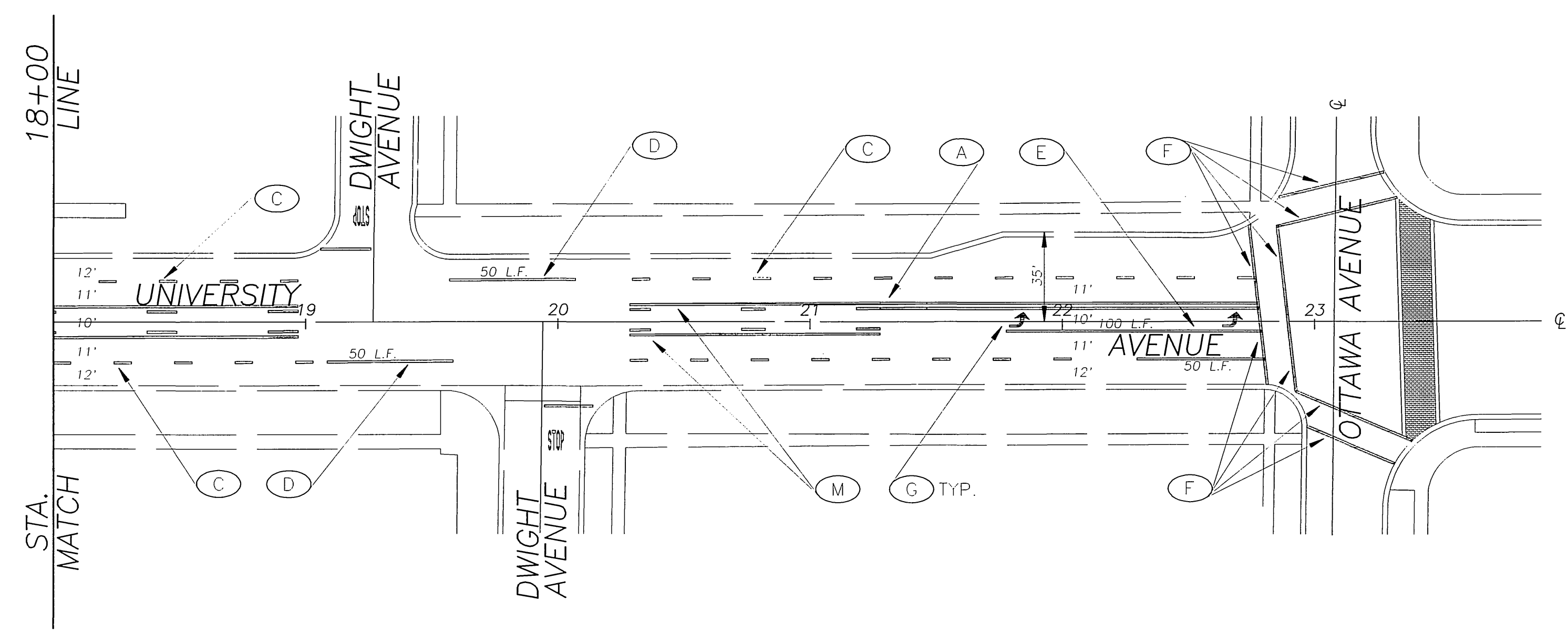
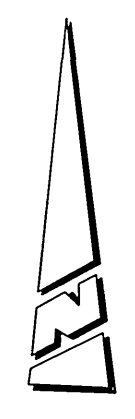
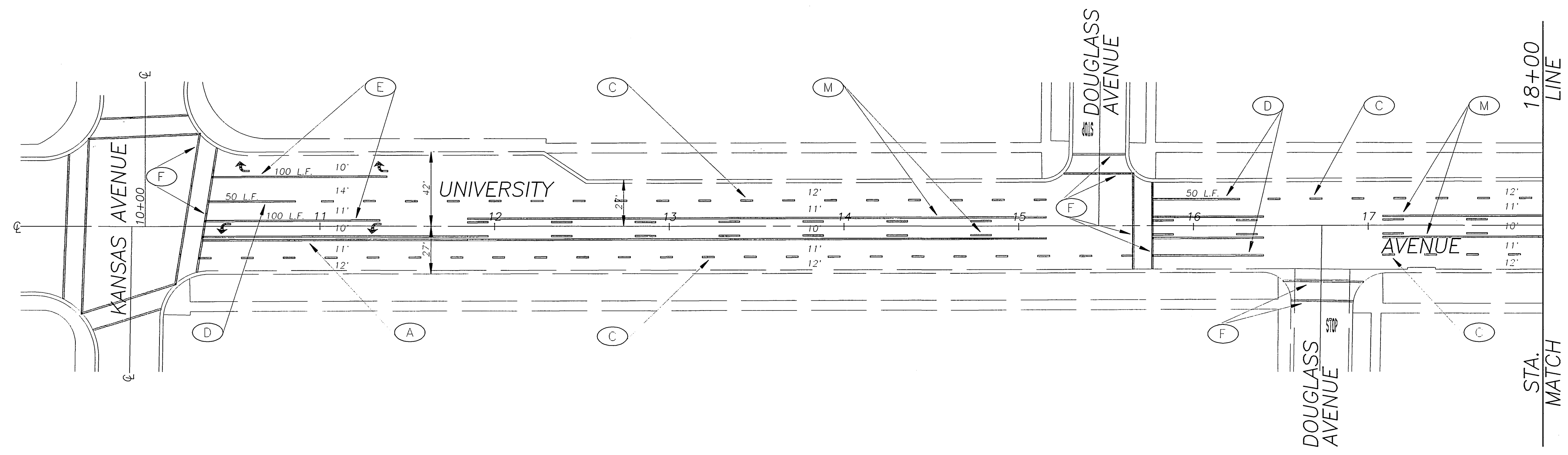
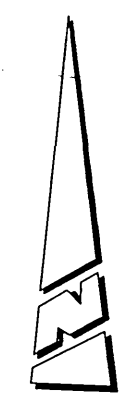


STRIPING & MARKING LEGEND

- (A) 4" SOLID WHITE STRIPE (STD. PLAN A20A)
- (B) 4" DASH WHITE STRIPE (STD. PLAN A20A, DETAIL 9)
- (C) 6" SOLID WHITE STRIPE (STD. PLAN A20D, DETAIL 39)
- (D) 6" DASH WHITE STRIPE (STD. PLAN A20D, DETAIL 39A)
- (E) 8" SOLID WHITE STRIPE (STD. PLAN A20D, DETAIL 38)
- (F) 12" SOLID WHITE STRIPE (STD. PLAN A24E) THERMOPLASTIC
- (G) SOLID WHITE ARROW (STD. PLAN A24A, TYPE IV) THERMOPLASTIC
- (H) SOLID WHITE BIKE LANE STENCIL W/ ARROW
- (I) DOUBLE YELLOW STRIPE (STD. PLAN A20A, DETAIL 22)
- (J) TWO-WAY LEFT TURN STRIPES (STD. PLAN A20A, DETAIL 32)
- (S) INDICATES NEW SIGN(S) TO BE FURNISHED AND INSTALLED BY CONTRACTOR ON STREET LIGHT PER STD. DWG. NO. 666.
- (N) INDICATES NEW SIGN(S) AND POST TO BE FURNISHED AND INSTALLED BY CONTRACTOR PER STD. DWG. NO. 666.



CITY OF RIVERSIDE, CALIFORNIA DEPARTMENT OF PUBLIC WORKS		STRIPING PLAN UNIVERSITY AVENUE EUCALYPTUS AVE TO OTTAWA AVENUE		ACCT. NO. XL-385A
APPROVED BY PRINCIPAL ENGINEER TRAFFIC DIVISION	BY <i>[Signature]</i>	DATE 6/16/06	APPROVED BY CITY ENGINEER <i>[Signature]</i>	SHEET 1 OF 1
DESIGNED BY	DRAWN BY	CHECKED BY	DATE 6/12/06	SCALE: 1" = 40' FILE NAME: XL385A.DWG



STRIPING AND MARKING LEGEND

- (A) PAINT 4" WIDE DOUBLE YELLOW STRIPE
- (C) PAINT 4" WIDE DASHED WHITE STRIPE (7' STRIPE, 17' GAP)
- (D) PAINT 4" WIDE SINGLE WHITE STRIPE (SOLID)
- (E) PAINT 8" WIDE SINGLE WHITE STRIPE (SOLID)
- (F) PAINT 12" WIDE SINGLE WHITE STRIPE (SOLID)
- (G) PAINT WHITE TURN ARROW PAVEMENT MARKING
- (M) PAINT YELLOW 2-WAY CONTINUOUS LEFT TURN LANE

ENGINEER IN RESPONSIBLE CHARGE
FRAN R. DUNAJSKI
 FRAN R. DUNAJSKI
 T.R. No. 1569 expires 6/30/99
 DATE 5/18/96

DESIGNED BY	TRC	DRAWN BY	TRC	CHECKED BY	<i>[Signature]</i>
DATE		DATE		DATE	5/18/96

CITY OF RIVERSIDE, CALIFORNIA
 PUBLIC WORKS DEPARTMENT

APPROVED BY	DATE
<i>[Signature]</i>	5/18/96

REHAB. OF ARTERIAL STREETS 95-96
 STRIPING PLAN
 UNIVERSITY AVENUE
 KANSAS AVENUE TO OTTAWA AVENUE

ACCT. NO. 430-541500-440301-30037
XL-385
 SHEET 1 OF 1
 FILE NO. XL385.DWG