

PAVEMENT DELINEATION LEGEND (BY CITY FORCES)

- (A) 4" DASHED WHITE STRIPE (7' STRIPE, 17' GAP)
- (B) 4" SOLID WHITE STRIPE (50 L.F.)
- (C) 4" SOLID DOUBLE YELLOW STRIPE
- (D) 12" SOLID WHITE MARKING
- (E) 8" SOLID WHITE STRIPE
- (F) YELLOW TWO-WAY TURN LANE
- (G) SOLID WHITE ARROW MARKING

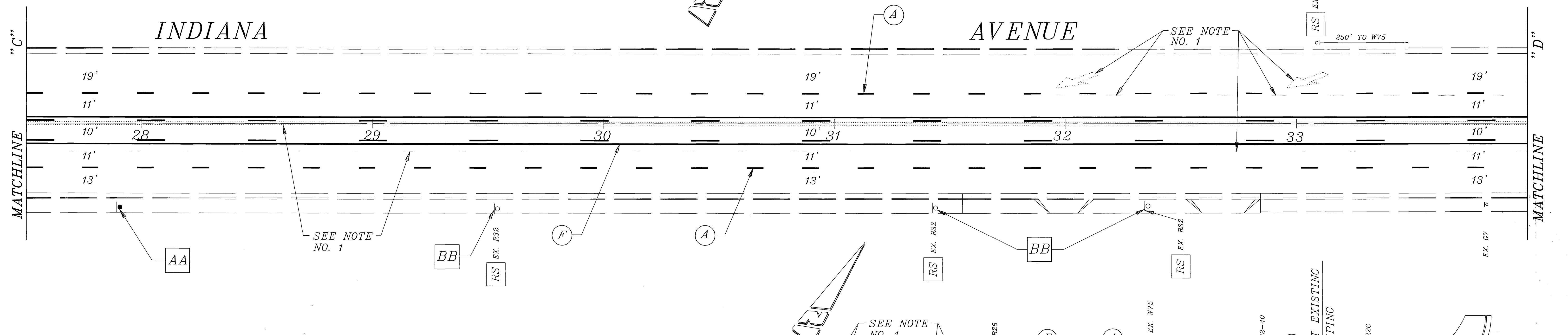
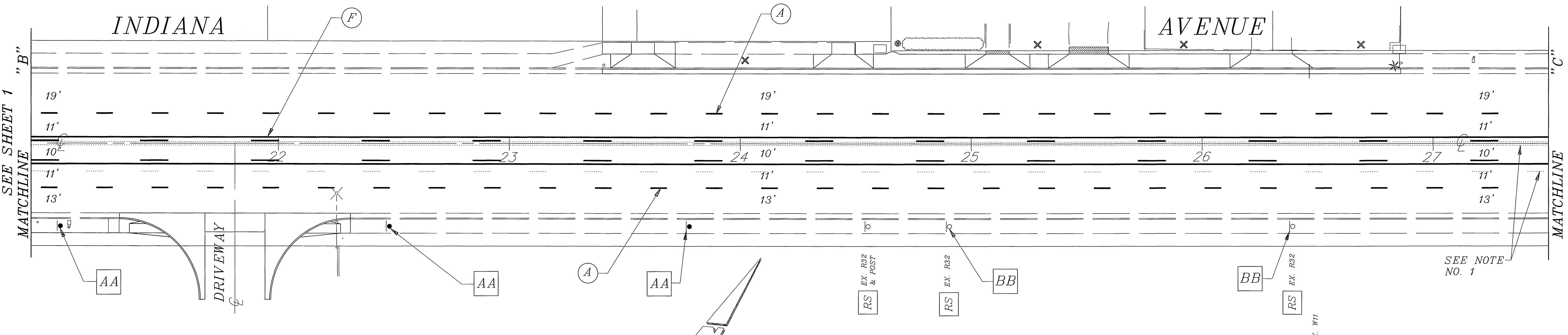
SIGN LEGEND (BY CONTRACTOR)

- AA INSTALL R26 SIGN (12" X 18") & POST PER CITY OF RIVERSIDE STD. NO. 666.

CONSTRUCTION NOTES (BY CONTRACTOR)

1. REMOVE ANY CONFLICTING EXISTING STRIPING AND MARKINGS.
2. TRAFFIC DETECTOR LOOP INSTALLATION NUMBER OF DETECTOR LOOPS

<p>ENGINEER IN RESPONSIBLE CHARGE Richard D. McGrath RICHARD D. McCRATH R.C.E. No. 31952 DATE 11/20/96</p>	<p>CITY OF RIVERSIDE, CALIFORNIA DEPARTMENT OF PUBLIC WORKS</p>	<p>PAVEMENT DELINEATION &amp; SIGN PLAN INDIANA AVENUE MADISON ST. TO WASHINGTON STREET</p>	<p>ACCT. NO. 230-541500-440223-30276 XL-394 (R-3446) SHEET 1 OF 2 FILE NAME: XL394-1.DWG</p>
	<p>APPROVED BY: _____ BY: _____ DATE: _____</p> <p>PRINCIPAL ENGINEER: _____</p> <p>P.W. INSPECTION: _____</p> <p>TRAFFIC DIVISION: _____</p> <p>CHIEF P.W. ENGR: _____</p> <p>DESIGNED BY: R.C.C. DRAWN BY: R.C.C. CHECKED BY: R.C.C.</p>	<p>APPROVED BY: </p> <p>DIRECTOR OF PUBLIC WORKS</p> <p>DATE: 11/20/96</p>	<p>SCALE: 1" = 20'</p>



**PAVEMENT DELINEATION LEGEND (BY CITY FORCES)**

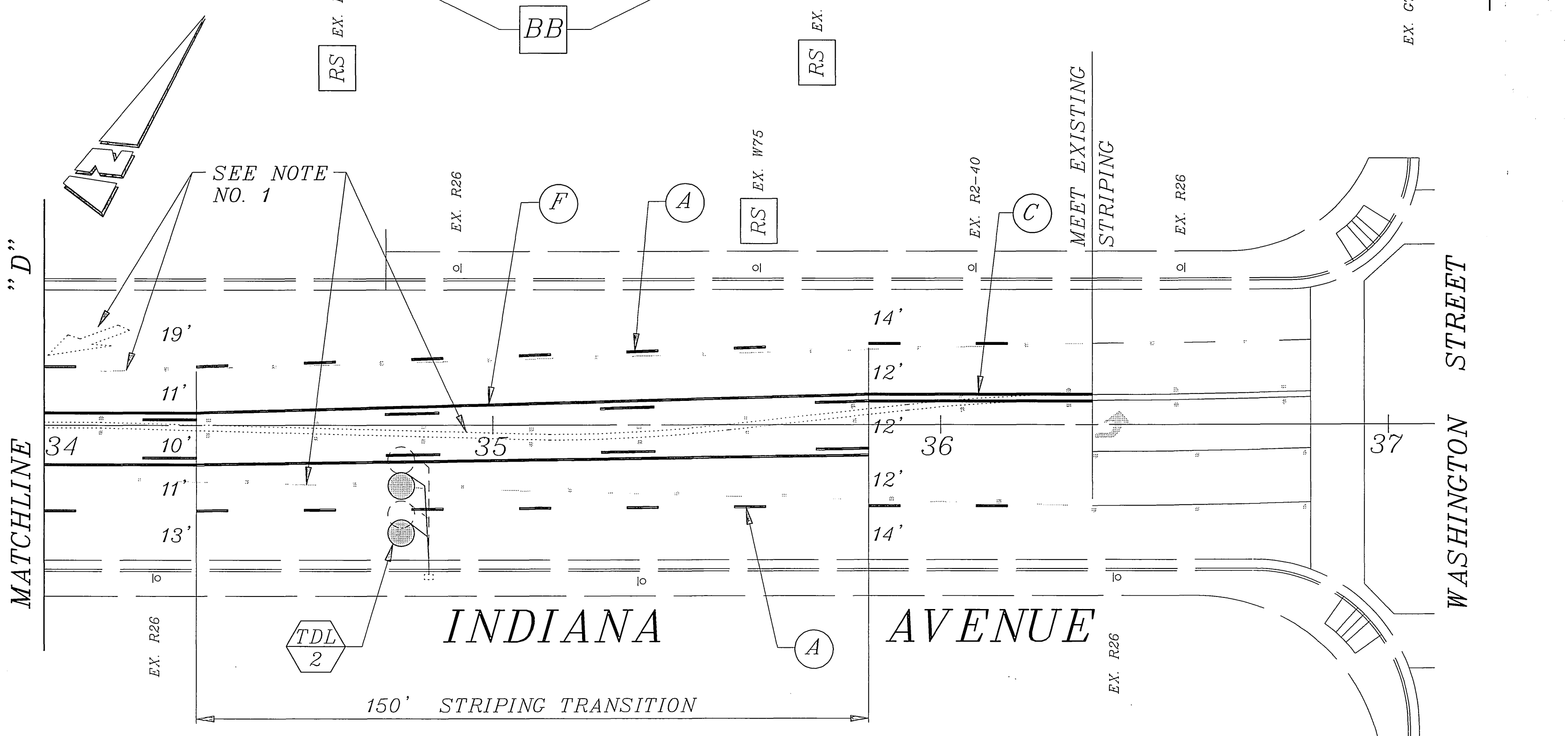
- (A) 4" DASHED WHITE STRIPE (7' STRIPE, 17' GAP)
- (B) 4" SOLID WHITE STRIPE (50 L.F.)
- (C) 4" SOLID DOUBLE YELLOW STRIPE
- (D) 12" SOLID WHITE MARKING
- (E) 8" SOLID WHITE STRIPE
- (F) YELLOW TWO-WAY TURN LANE
- (G) SOLID WHITE ARROW MARKING

**SIGN LEGEND (BY CONTRACTOR)**

- AA INSTALL R26 SIGN (12" X 18") & POST PER CITY OF RIVERSIDE STD. NO. 666.
- BB INSTALL R26 SIGN (12" X 18") ON EX. POST PER CITY OF RIVERSIDE STD. NO. 666.

**CONSTRUCTION NOTES (BY CONTRACTOR)**

1. REMOVE ANY CONFLICTING EXISTING STRIPING AND MARKINGS.
2. TRAFFIC DETECTOR LOOP INSTALLATION  
 NUMBER OF DETECTOR LOOPS



ENGINEER IN RESPONSIBLE CHARGE  
 Richard D. McGrath  
 RICHARD D. McGRATH  
 R.C.E. No. 31952  
 DATE 11/20/96



MARK	REVISIONS	APPR.	DATE

CITY OF RIVERSIDE, CALIFORNIA  
 DEPARTMENT OF PUBLIC WORKS  
 APPROVED BY:   
 PRINCIPAL ENGINEER BY DATE  
 P.W. INSPECTION:   
 TRAFFIC DIVISION:   
 CHIEF P.W. ENGR. DATE 11/20/96

PAVEMENT DELINEATION & SIGN PLAN  
**INDIANA AVENUE**  
 MADISON ST. TO  
 WASHINGTON STREET  
 SCALE: 1" = 20'

ACCT. NO. 230-541500-440223-30276  
**XL-394**  
 (R-3446)  
 SHEET 2 OF 2  
 FILE NAME: XL394-2.DWG