

PAVEMENT DELINEATION

- INDICATES STRIPING AND PAVEMENT MARKINGS TO BE INSTALLED.
- INDICATES STRIPING AND PAVEMENT MARKINGS TO REMAIN.
- INDICATES STRIPING AND PAVEMENT MARKINGS TO BE REMOVED.

STRIPING & MARKING LEGEND

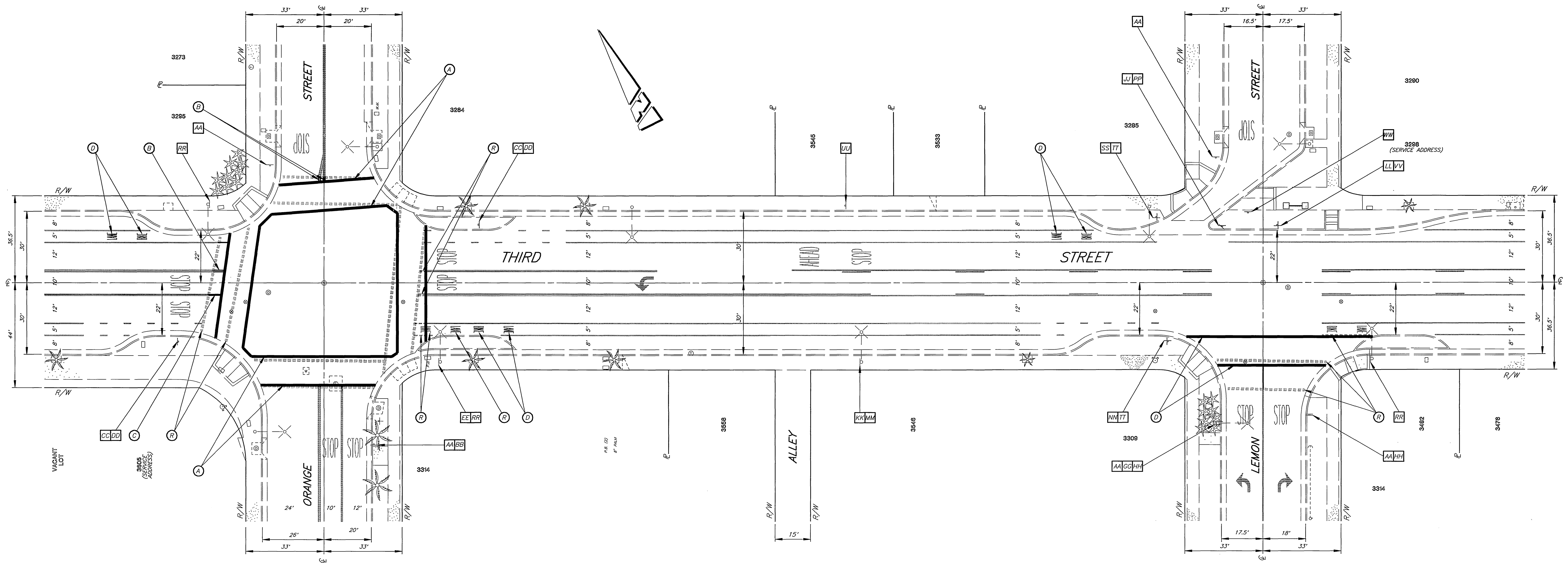
- (A) INSTALL 12" SOLID WHITE MARKING.
- (B) PAINT 4" SOLID DOUBLE YELLOW STRIP.
- (C) PAINT 8" SOLID WHITE STRIPE.
- (D) SOLID WHITE BIKE LANE STENCIL.
- (R) REMOVE ANY CONFLICTING EXISTING STRIPING OR MARKINGS.

SIGN LEGEND

- AA EXISTING R1 SIGN TO REMAIN IN PLACE.
- BB EXISTING R1-A SIGN TO REMAIN IN PLACE.
- CC RELOCATED R1 SIGN.
- DD RELOCATED R1-A SIGN.
- EE EXISTING R2 "35" SIGN TO REMAIN IN PLACE.
- FF EXISTING R2 "30" SIGN TO REMAIN IN PLACE.
- GG EXISTING R10 SIGN TO REMAIN IN PLACE.
- HH EXISTING R11 SIGN TO REMAIN IN PLACE.
- JJ RELOCATED R11 SIGN.
- KK EXISTING R16 SIGN TO REMAIN IN PLACE.
- LL RELOCATED R16 SIGN.
- MM EXISTING R16-B SIGN TO REMAIN IN PLACE.
- NN RELOCATED R17 SIGN.
- PP RELOCATED R41 SIGN.
- RR EXISTING R81 SIGN TO REMAIN IN PLACE.
- SS RELOCATED R81 SIGN.
- TT INSTALL R96 (24") PER STD. DWG. NO. 666.
- UU EXISTING W17 SIGN TO REMAIN IN PLACE.
- VV RELOCATED W56 SIGN.
- WW RELOCATED W57 SIGN.

GENERAL NOTES

1. ALL PERMANENT PAVEMENT DELINEATION SHALL BE PERFORMED BY CITY OF RIVERSIDE FORCES.
2. SEE CITY OF RIVERSIDE PLAN R-3451 FOR ALL STREET IMPROVEMENT WORK.
3. REMOVE ANY CONFLICTING EXISTING STRIPING.



ENGINEER IN RESPONSIBLE CHARGE
 Richard D. McGrath
 RICHARD D. McGRATH
 R.C.E. No. 31952 expires 12/31/00
 DATE 9/16/97



MARK	REVISIONS	APPR.	DATE

DESIGNED BY R.G. FANN DRAWN BY VJZ CHECKED BY RCM

CITY OF RIVERSIDE, CALIFORNIA
 PUBLIC WORKS DEPARTMENT

APPROVED BY	BY	DATE	APPROVED BY	BY	DATE
DEPUTY P.W. DIRECTOR					
PRINCIPAL ENGINEER					
CHIEF P.W. INSPECTOR					
STREET SERVICES					
SURVEYOR					
TRAFFIC DIVISION					
PARKS DEPARTMENT					

DATE 9/16/97

THIRD STREET BEAUTIFICATION
 ORANGE ST. TO MULBERRY ST.

HORIZ. SCALE: 1" = 20' VERT. SCALE: 1" = 2'

ACCT. NO. 220-511200-453410-12108
 XL-411
 SHEET 1 OF 2

PAVEMENT DELINEATION

- INDICATES STRIPING AND PAVEMENT MARKINGS TO BE INSTALLED.
- - - - - INDICATES STRIPING AND PAVEMENT MARKINGS TO REMAIN.
- INDICATES STRIPING AND PAVEMENT MARKINGS TO BE REMOVED.

STRIPING & MARKING LEGEND

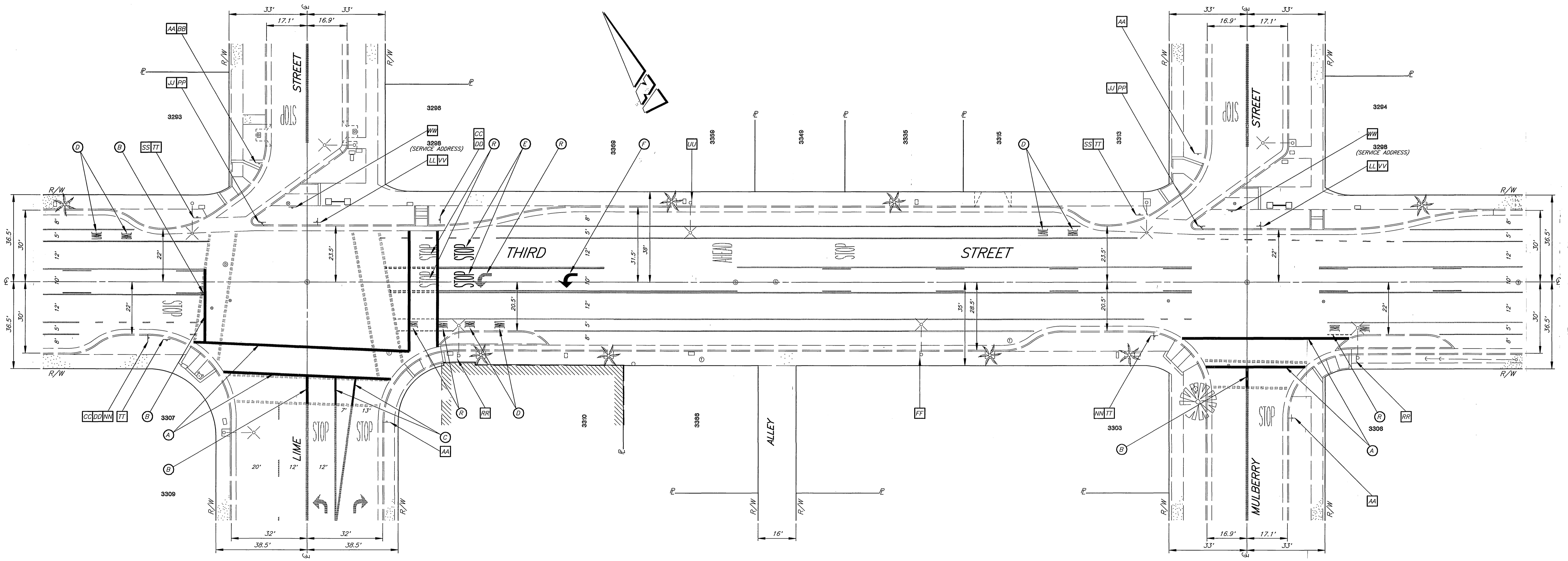
- (A) INSTALL 12" SOLID WHITE MARKING.
- (B) PAINT 4" SOLID DOUBLE YELLOW STRIP.
- (C) PAINT 8" SOLID WHITE STRIPE.
- (D) SOLID WHITE BIKE LANE STENCIL.
- (E) INSTALL WHITE "STOP" SYMBOL.
- (F) INSTALL SOLID WHITE ARROW.
- (R) REMOVE ANY CONFLICTING EXISTING STRIPING OR MARKINGS.

SIGN LEGEND

- AA EXISTING R1 SIGN TO REMAIN IN PLACE.
- BB EXISTING R1-A SIGN TO REMAIN IN PLACE.
- CC RELOCATED R1 SIGN.
- DD RELOCATED R1-A SIGN.
- EE EXISTING R2 "35" SIGN TO REMAIN IN PLACE.
- FF EXISTING R2 "30" SIGN TO REMAIN IN PLACE.
- GG EXISTING R10 SIGN TO REMAIN IN PLACE.
- HH EXISTING R11 SIGN TO REMAIN IN PLACE.
- JJ RELOCATED R11 SIGN.
- KK EXISTING R16 SIGN TO REMAIN IN PLACE.
- LL RELOCATED R16 SIGN.
- MM EXISTING R16-B SIGN TO REMAIN IN PLACE.
- NN RELOCATED R17 SIGN.
- PP RELOCATED R41 SIGN.
- RR EXISTING R81 SIGN TO REMAIN IN PLACE.
- SS RELOCATED R81 SIGN.
- TT INSTALL R96 (24") PER STD. DWG. NO. 666.
- UU EXISTING W17 SIGN TO REMAIN IN PLACE.
- VV RELOCATED W56 SIGN.
- WW RELOCATED W57 SIGN.

GENERAL NOTES

1. ALL PERMANENT PAVEMENT DELINEATION SHALL BE PERFORMED BY CITY OF RIVERSIDE FORCES.
2. SEE CITY OF RIVERSIDE PLAN R-3451 FOR ALL STREET IMPROVEMENT WORK.
3. REMOVE ANY CONFLICTING EXISTING STRIPING.



MARK	REVISIONS	APPR. DATE

CITY OF RIVERSIDE, CALIFORNIA
 PUBLIC WORKS DEPARTMENT

APPROVED BY	BY	DATE	APPROVED BY
DEPUTY P.W. DIRECTOR	RL	9/18/97	Richard D. McGrath
PRINCIPAL ENGINEER			
CHEF P.W. INSPECTOR			
STREET SERVICES			
SURVEYOR			
TRAFFIC DIVISION			
PARKS DEPARTMENT			

THIRD STREET
 BEAUTIFICATION
 ORANGE ST. TO MULBERRY ST.
 HORIZ. SCALE: 1" = 20' VERT. SCALE: 1" = 2'

ACCT. NO. 220-511200-453410-12108
 XL-411
 SHEET 2 OF 2