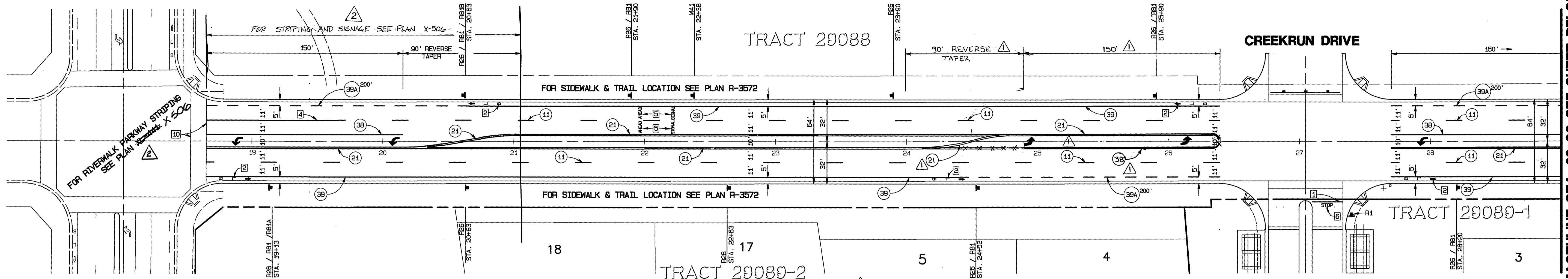


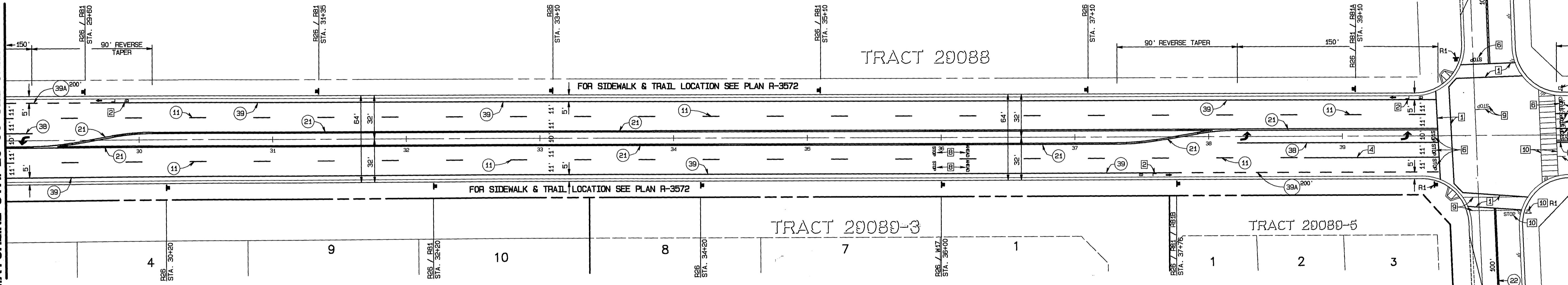
RIVERWALK PARKWAY



COLLETT AVENUE

LEFT TURN POCKET TO BE CONSTRUCTED ONLY IF THE IMPROVEMENTS HAVE BEEN CONSTRUCTED FOR CREEKRUN DRIVE NORTH OF COLLETT AVENUE (TRACT NO. 29088-1)

MATCHLINE STA. 29+00 SEE SHEET ABOVE



MATCHLINE STA. 41+00 SEE SHEET BELOW

COLLETT AVENUE

LEGEND:

- ② INSTALL STRIPING DETAIL PER CALTRANS STD. PLAN A20A-A20D
- 1 INSTALL 12" SOLID WHITE (CROSSWALK OR STOP BAR)
- 2 INSTALL 4' "BIKE", "LANE" AND ARROW MARKING AT 20' O.C.
- 3 PAINT MEDIAN NOSE REFLECTIVE YELLOW
- 4 INSTALL 100' - 4" SOLID WHITE
- 5 INSTALL "SIGNAL AHEAD" PAVEMENT MARKING
- 6 INSTALL "STOP" PAVEMENT MARKING
- 7 NOT USED
- 8 INSTALL "STOP AHEAD" PAVEMENT MARKING
- 9 REMOVE EXISTING PAVEMENT STRIPING (SEE NOTE 3)
- 10 EXISTING PAVEMENT STRIPING OR SIGN & POST TO REMAIN
- 11 EXISTING SIGN & POST TO BE REMOVED (SEE NOTE 5)
- ↩ INSTALL TYPE IV (L OR R) ARROW MARKING
- Ⓜ INSTALL SIGN (AS SHOWN) & POST PER CITY OF RIVERSIDE STD. DWG. NO. 666

SIGNING AND STRIPING NOTES:

1. TRAFFIC STRIPING, PAVEMENT MARKINGS AND RAISED PAVEMENT MARKERS PER CALTRANS TRAFFIC MANUAL, MAINTENANCE MANUAL, STD. PLANS AND SPECIFICATIONS, LATEST EDITIONS.
2. ALL STRIPES, SIGNS AND PAVEMENT MARKINGS SHALL BE REFLECTORIZED. STENCILS FOR PAVEMENT MARKING SHALL MATCH CITY OF RIVERSIDE STENCILS.
3. ALL CONFLICTING STRIPES AND PAVEMENT MARKINGS SHALL BE REMOVED BY WET SANDBLASTING. CONFLICTING SIGN AND RAISED PAVEMENT MARKERS SHALL BE REMOVED. ALL REMOVALS SHALL BE THE RESPONSIBILITY OF THE DEVELOPER.
4. ALL STRIPES SHALL APPLIED IN TWO COATS.
5. ALL REMOVED SIGNS SHALL BE SALVAGED AND DELIVERED TO THE CITY YARD.
6. ALL PAVEMENT MARKINGS AND LEGENDS SHALL BE THERMOPLASTIC.

BENCH MARK:

CITY OF RIVERSIDE BENCH MARK NO E2-43 P.K. NAIL AND TAG IN THE CENTER OF THE MOST NORTHERLY CURB RETURN OF COLLETT AVENUE AND GOLDEN AVENUE

ELEVATION: 697.978



CITY BUSINESS TAX CERTIFICATE NO. 005751 EXP. 12-31-00

ALBERT A. WEBB ASSOCIATES
CIVIL ENGINEERS
3788 MCCRAY STREET RIVERSIDE, CA 92506
(909) 686-1070

APPROVED BY *mo* DATE 11/20/00
R.C.E. NO. C39530

W.O. 99-201 FOR: GRIFFIN INDUSTRIES F.B. 1999

MARK	REVISIONS	APPR.	DATE
Δ	REVISED STRIPING / SIGNAGE REFERENCE		7/12/11
Δ	ADDED LEFT TURN LANE STA. 24+00 TO STA 26+00 ±		5/1/01

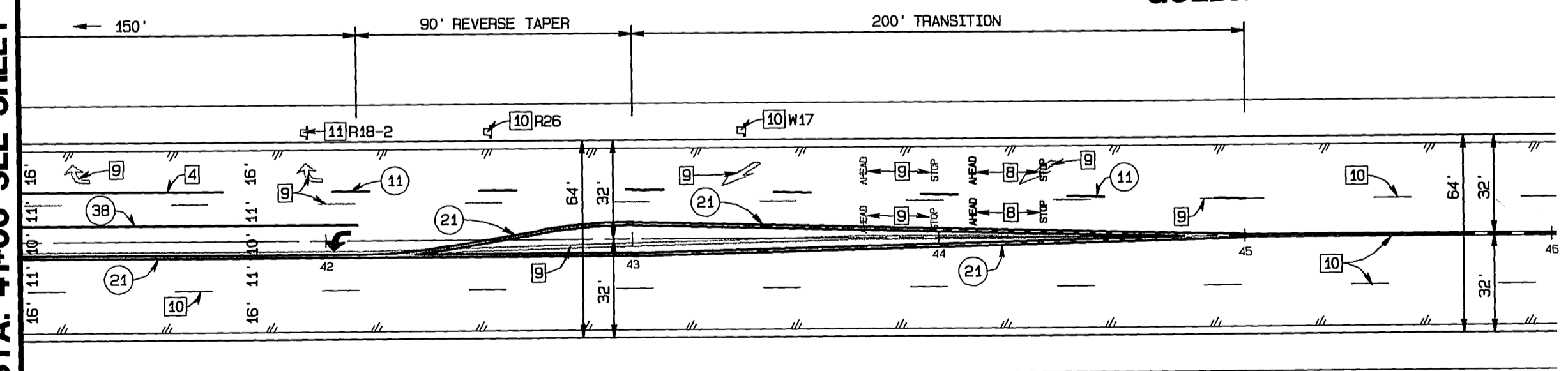
CITY OF RIVERSIDE, CALIFORNIA PUBLIC WORKS DEPARTMENT	
APPROVED BY	BY DATE
PRINCIPAL ENGINEER	<i>R. McSwath</i>
TRAFFIC DIVISION	
DEP. P.W. DIRECTOR	
STREET SERVICES	

DATE 12-9-2000

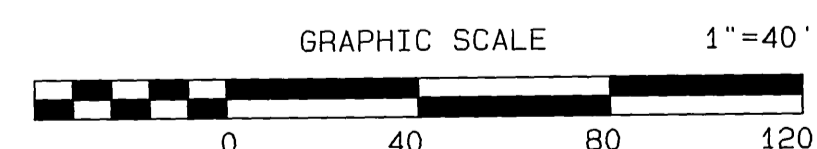
SIGNING AND STRIPING PLAN	
TRACT NO. 29089-1	
COLLETT AVENUE	
SCALE:	AS SHOWN

ACCOUNT NO.	99-0201
DRAWING NUMBER	XL-450
SHEET	1 OF 1
99-0201	

MATCHLINE STA. 41+00 SEE SHEET ABOVE



COLLETT AVENUE



FILE: G:\1999\99-0201\990201.dwg PLOT DATE: 11/20/2000