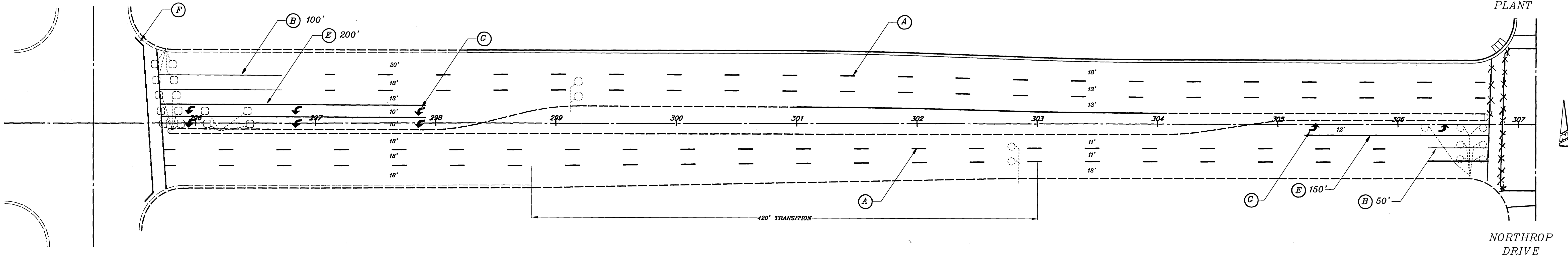


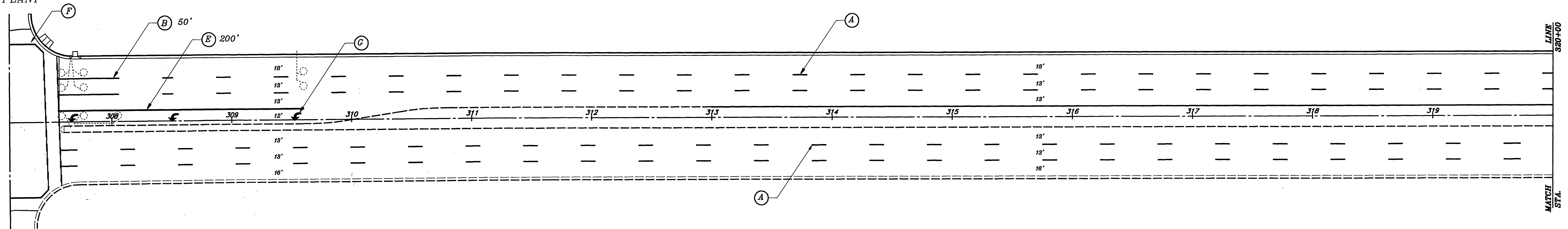
MISSION GROVE BLVD.

M.W.D. FILTRATION PLANT



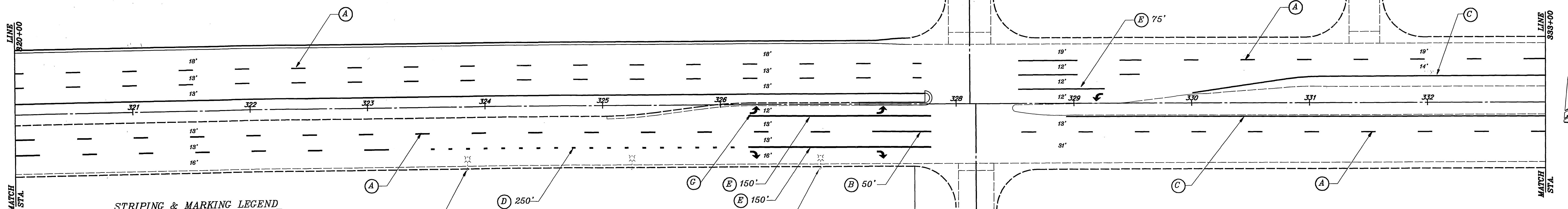
NORTHROP DRIVE

M.W.D. FILTRATION PLANT



NORTHROP DRIVE

BARTON ST.



STRIPING & MARKING LEGEND

- (A) 4" SKIP WHITE STRIPE (12' STRIPE, 36' GAP)
- (B) 4" SOLID WHITE STRIPE
- (C) 4" SOLID YELLOW STRIPE
- (D) 8" SKIP WHITE STRIPE (3' STRIPE, 12' GAP)
- (E) 8" SOLID WHITE STRIPE
- (F) 12" SOLID WHITE MARKING
- (G) TYPE IV MARKING PER CALTRANS STANDARDS

INSTALL W74

INSTALL R18-2

NOTE:

1. WITHIN THE CITY OF RIVERSIDE'S JURISDICTION, CAT-TRACKING SHALL BE APPROVED BY THE PUBLIC WORKS DEPARTMENT PRIOR TO APPLICATION OF ANY STRIPING.
2. WITHIN THE COUNTY OF RIVERSIDE'S JURISDICTION, CAT-TRACKING SHALL BE APPROVED BY J. R. MORGAN, HIGHWAY OPERATIONS MANAGER (955-6815) PRIOR TO APPLICATION OF ANY STRIPING.

RIVERSIDE COUNTY
TRANSPORTATION DEPARTMENT
DIRECTOR OF TRANSPORTATION DEPT.
DATE



ENGINEER IN
RESPONSIBLE CHARGE

FRANCIS R. DUNAJSKI
TR. No. 1589 expires 6/30/2003
DATE 6/13/01

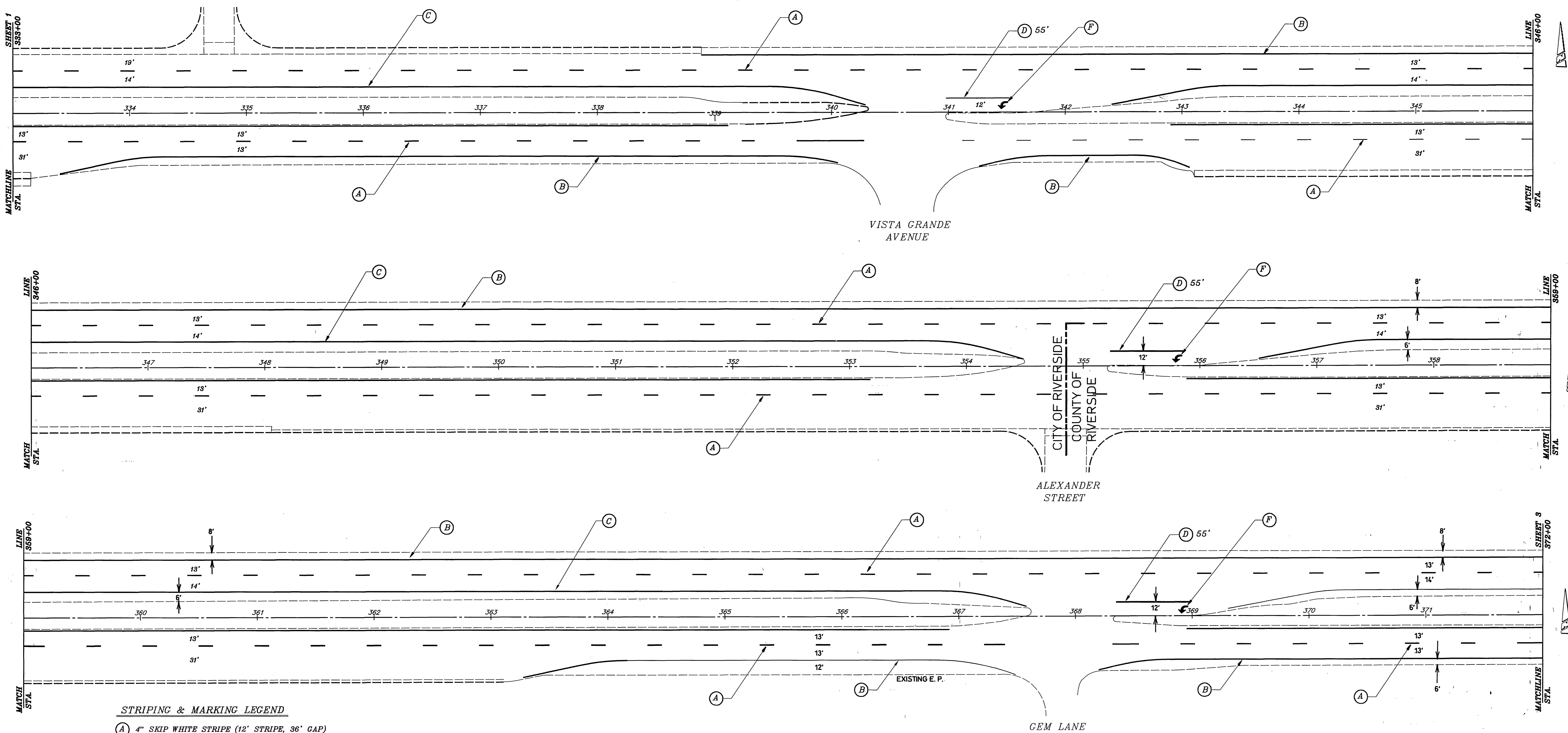
| MARK | REVISIONS | APPR. | DATE |
|------|-----------|-------|------|
| | | | |
| | | | |

DESIGNED BY MAC DRAWN BY MAC CHECKED BY

| CITY OF RIVERSIDE, CALIFORNIA DEPARTMENT OF PUBLIC WORKS | | | |
|---|-----|--------|--------------------------|
| APPROVED BY | BY | DATE | APPROVED BY |
| DEPUTY P.W. DIR./ENG. | 728 | 7/6/01 | R. M. Bault |
| PRINCIPAL ENGINEER | | | DIRECTOR OF PUBLIC WORKS |
| P.W. INSPECTION | | | |
| STREET SERVICES | | | |
| PUBLIC UTILITIES | | | |
| | | | DATE 7-5-2001 |

| STRIPING PLAN | |
|---|------------------------|
| ALESSANDRO BOULEVARD MISSION GROVE BOULEVARD TO SYCAMORE CANYON BOULEVARD | |
| ACCT. NO. 9538127152-44030300 | FILE NAME: XL451-1.DWG |
| SCALE: 1" = 40' | |

XL-451
SHEET 1 OF 3

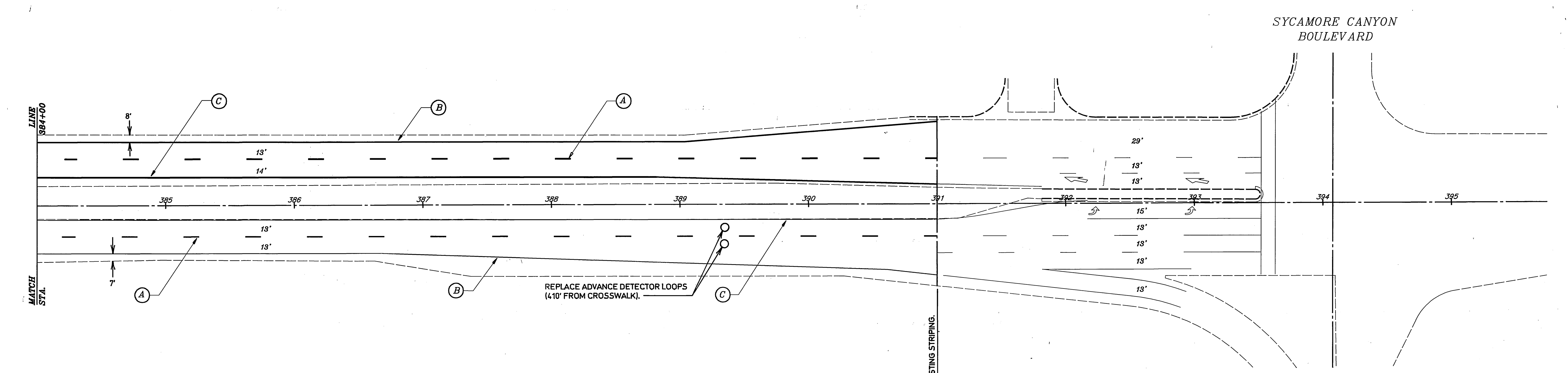
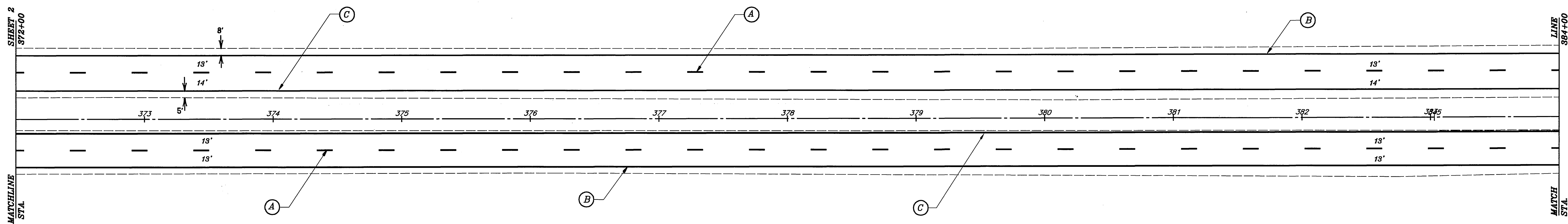


- STRIPING & MARKING LEGEND**
- (A) 4" SKIP WHITE STRIPE (12' STRIPE, 36' GAP)
 - (B) 4" SOLID WHITE STRIPE
 - (C) 4" SOLID YELLOW STRIPE
 - (D) 8" SOLID WHITE STRIPE
 - (E) 12" SOLID WHITE MARKING
 - (F) TYPE IV MARKING PER CALTRANS STANDARDS
 - (G) TYPE VI MARKING PER CALTRANS STANDARDS

NOTE:

1. WITHIN THE CITY OF RIVERSIDE'S JURISDICTION, CAT-TRACKING SHALL BE APPROVED BY THE PUBLIC WORKS DEPARTMENT PRIOR TO APPLICATION OF ANY STRIPING.
2. WITHIN THE COUNTY OF RIVERSIDE'S JURISDICTION, CAT-TRACKING SHALL BE APPROVED BY J. R. MORGAN, HIGHWAY OPERATIONS MANAGER (955-6815) PRIOR TO APPLICATION OF ANY STRIPING.

| | | | | |
|---|--|---|---|---|
| RIVERSIDE COUNTY TRANSPORTATION DEPARTMENT <i>Francis R. Durajski</i> DIRECTOR OF TRANSPORTATION DEPT. DATE 6/27/01 | ENGINEER IN RESPONSIBLE CHARGE <i>Francis R. Durajski</i> FRANCIS R. DURAJSKI TR. No. 1569 expires 6/30/2003 DATE 6/13/01 | CITY OF RIVERSIDE, CALIFORNIA DEPARTMENT OF PUBLIC WORKS APPROVED BY: <i>R. Mc Bull</i> DEPUTY P.W. DIR./ENG. 7/8/01 PRINCIPAL ENGINEER 7/8/01 P.W. INSPECTION 6/12/01 STREET SERVICES 6/12/01 PUBLIC UTILITIES 6/12/01 DATE 7-5-2001 | STRIPING PLAN ALESSANDRO BOULEVARD MISSION GROVE BOULEVARD TO SYCAMORE CANYON BOULEVARD SCALE: 1" = 40' | ACCT. NO. 9538127152-44030300 <b style="font-size: 2em;">XL-451 SHEET 2 OF 3 FILE NAME: XL451-2.DWG |
|---|--|---|---|---|



SYCAMORE CANYON BOULEVARD

STRIPING & MARKING LEGEND

- (A) 4" SKIP WHITE STRIPE (12' STRIPE, 36' GAP)
- (B) 4" SOLID WHITE STRIPE
- (C) 4" SOLID YELLOW STRIPE
- (D) 8" SOLID WHITE STRIPE
- (E) 12" SOLID WHITE MARKING
- (F) TYPE IV MARKING PER CALTRANS STANDARDS
- (G) TYPE VI MARKING PER CALTRANS STANDARDS

- NOTE:**
- WITHIN THE CITY OF RIVERSIDE'S JURISDICTION, CAT-TRACKING SHALL BE APPROVED BY THE PUBLIC WORKS DEPARTMENT PRIOR TO APPLICATION OF ANY STRIPING.
 - WITHIN THE COUNTY OF RIVERSIDE'S JURISDICTION, CAT-TRACKING SHALL BE APPROVED BY J. R. MORGAN, HIGHWAY OPERATIONS MANAGER (955-6815) PRIOR TO APPLICATION OF ANY STRIPING.

RIVERSIDE COUNTY
TRANSPORTATION DEPARTMENT
K. M. ...
for DIRECTOR OF TRANSPORTATION DEPT.
DATE: 6/27/01

ENGINEER IN
RESPONSIBLE CHARGE
Francis R. Duwajski
FRANCIS R. DUWAJSKI
TR. No. 1569 expires 6/30/2003
DATE: 6/13/01

| | | | |
|------------------|---------------|-------------|------|
| MARK | REVISIONS | APPR. | DATE |
| | | | |
| DESIGNED BY: MAC | DRAWN BY: MAC | CHECKED BY: | |

CITY OF RIVERSIDE, CALIFORNIA
DEPARTMENT OF PUBLIC WORKS

| | | | |
|-----------------------|------------|---------|--------------------------|
| APPROVED BY | BY | DATE | APPROVED BY |
| DEPUTY P.W. DIR./ENG. | <i>TSB</i> | 7/2/01 | <i>R. M. East</i> |
| PRINCIPAL ENGINEER | <i>RS</i> | 6/14/01 | DIRECTOR OF PUBLIC WORKS |
| P.W. INSPECTION | <i>RS</i> | 6/14/01 | |
| TRAFFIC DIVISION | <i>RS</i> | 6/14/01 | |
| PUBLIC UTILITIES | | | |

DATE: 7-5-2001

STRIPING PLAN

ALESSANDRO BOULEVARD
MISSION GROVE BOULEVARD TO
SYCAMORE CANYON BOULEVARD

ACCT. NO.
9538127152-44030300

XL-451

SHEET 3 OF 3

FILE NAME: XL451-3.DWG

SCALE: 1" = 40'