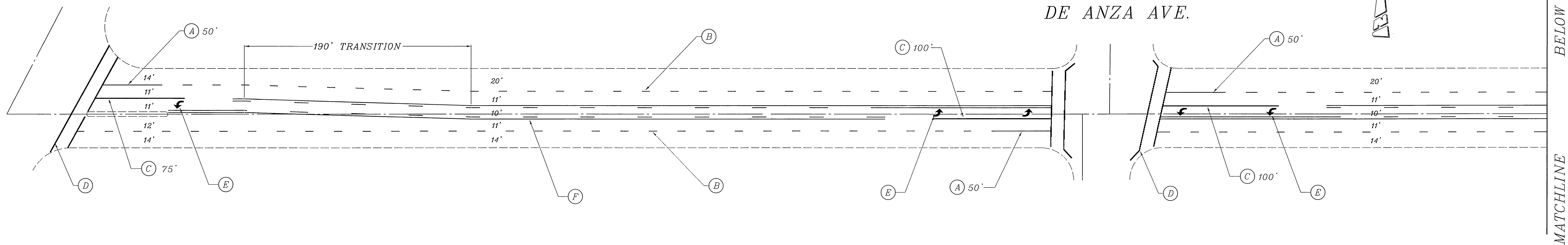


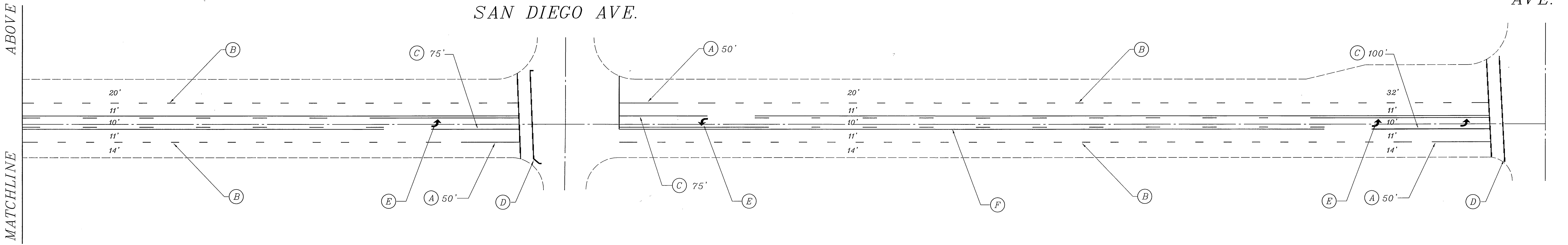
MAGNOLIA AVE.

DE ANZA AVE.



RIVERSIDE AVE.

SAN DIEGO AVE.



STRIPING & MARKING LEGEND

- (A) 4" SOLID WHITE STRIPE
- (B) 4" DASH WHITE STRIPE (7' STRIPE, 17' GAP)
- (C) 8" SOLID WHITE STRIPE
- (D) 12" SOLID WHITE STRIPE
- (E) SOLID WHITE ARROW
- (F) TWO WAY LEFT TURN



ENGINEER IN RESPONSIBLE CHARGE
 FRAN DUNAJSKI
 DATE 9/28/01

MARK	REVISIONS	APPR	DATE

CITY OF RIVERSIDE, CALIFORNIA
 DEPARTMENT OF PUBLIC WORKS

APPROVED BY	BY	DATE	APPROVED BY
PRINCIPAL ENGINEER			
P.W. INSPECTION			
TRAFFIC DIVISION			
PUBLIC UTILITIES			

DATE 10/16/01

STRIPING PLAN
 CENTRAL AVENUE
 MAGNOLIA AVENUE TO
 RIVERSIDE AVENUE

SCALE: 1" = 40'

ACCT. NO. 9539227152-44030200
XL-458
 SHEET 1 OF 1
 FILE NAME: XL458.DWG