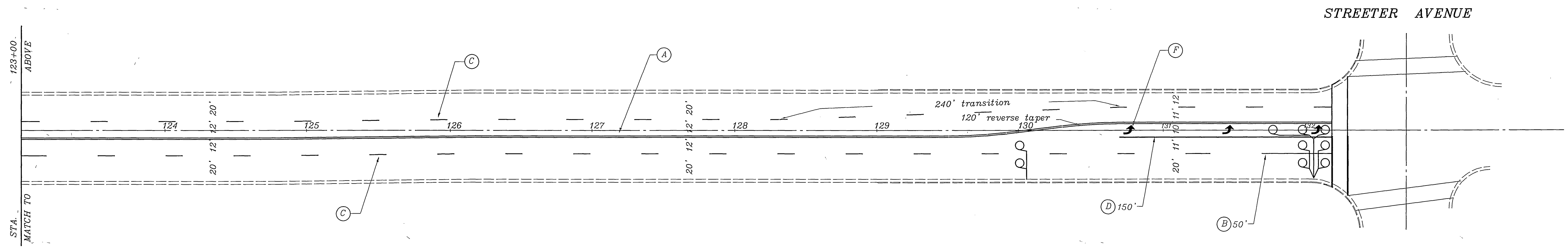
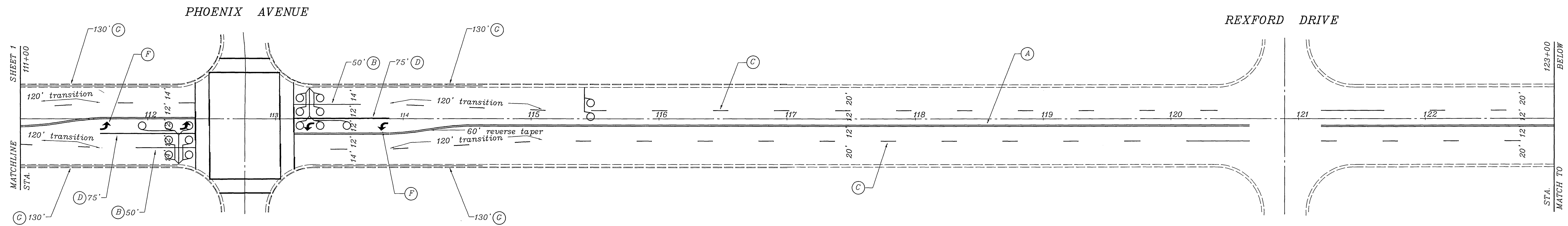


PAVEMENT DELINEATION AND SIGNING LEGEND

- INDICATES STRIPING AND PAVEMENT MARKINGS TO BE INSTALLED.
- INDICATES STRIPING AND PAVEMENT MARKINGS TO REMAIN.
- INDICATES STRIPING AND PAVEMENT MARKINGS TO BE REMOVED.
- (A) 4" SOLID DOUBLE YELLOW STRIPE
- (B) 4" SOLID WHITE STRIPE
- (C) 4" DASH WHITE STRIPE (12' STRIPE, 36' GAP)
- (D) 8" SOLID WHITE STRIPE
- (E) 12" SOLID WHITE STRIPE
- (F) SOLID WHITE ARROW
- (G) RED CURB

CITY OF RIVERSIDE, CALIFORNIA DEPARTMENT OF PUBLIC WORKS				STRIPING PLAN		ACCT. NO. 9543030214-44030200
APPROVED BY	BY	DATE	APPROVED BY	CENTRAL AVENUE ESSEX TO STREETER ARTERIAL ST. REHAB. 2001/2002		XL-471 SHEET 1 OF 2
ENGINEERING MANAGER			<i>Tom Reed</i> DIRECTOR OF PUBLIC WORKS			
PRINCIPAL ENGINEER	<i>DA</i>	1/30/03	P.W. INSPECTION			
MARK	REVISIONS	APPR. DATE	TRAFFIC DIVISION			
DESIGNED BY: MAC	DRAWN BY: MAC	CHECKED BY:	PUBLIC UTILITIES			FILE NAME: XL471.DWG

SCALE: 1" = 40'



PAVEMENT DELINEATION AND SIGNING LEGEND

- INDICATES STRIPING AND PAVEMENT MARKINGS TO BE INSTALLED.
- INDICATES STRIPING AND PAVEMENT MARKINGS TO REMAIN.
- INDICATES STRIPING AND PAVEMENT MARKINGS TO BE REMOVED.
- (A) 4" SOLID DOUBLE YELLOW STRIPE
- (B) 4" SOLID WHITE STRIPE
- (C) 4" DASH WHITE STRIPE (12' STRIPE, 36' GAP)
- (D) 8" SOLID WHITE STRIPE
- (E) 12" SOLID WHITE STRIPE
- (F) SOLID WHITE ARROW
- (G) RED CURB

				CITY OF RIVERSIDE, CALIFORNIA DEPARTMENT OF PUBLIC WORKS		STRIPING PLAN		ACCT. NO. 9543030214-44030200
				APPROVED BY	BY	DATE	APPROVED BY	CENTRAL AVENUE ESSEX STREET TO STREETER AVENUE
				ENGINEERING MANAGER	DA	1/30/03	<i>Ken Burt</i> DIRECTOR OF PUBLIC WORKS	
				PRINCIPAL ENGINEER	DA	1/30/03		XL-471
				P.W. INSPECTION	DA	1/30/03		SHEET 2 OF 2
				TRAFFIC DIVISION	DA	1/31/02		FILE NAME: XL471-2.DWG
				PUBLIC UTILITIES				
DESIGNED BY: MAC				DRAWN BY: MAC		CHECKED BY:		SCALE: 1" = 40'