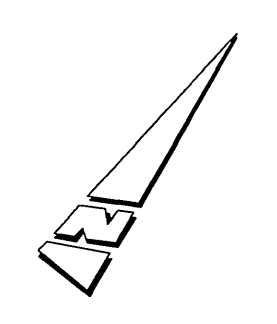


STRIPING & MARKING LEGEND

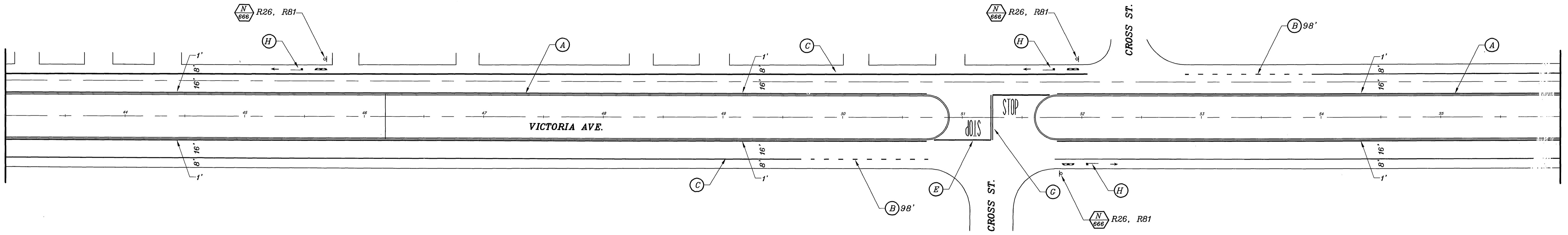
- (A) 4" SOLID YELLOW STRIPE/MARKER (STD. PLAN A20B, DETAIL 25)
- (B) 6" DASH WHITE STRIPE (STD. PLAN A20D, DETAIL 39A)
- (C) 6" SOLID WHITE STRIPE (STD. PLAN A20D, DETAIL 39)
- (D) 8" SOLID WHITE STRIPE (STD. PLAN A20D, DETAIL 38A)
- (E) 12" SOLID WHITE STRIPE (STD. PLAN A24E) THERMOPLASTIC
- (F) SOLID WHITE ARROW (STD. PLAN A24A) THERMOPLASTIC
- (G) DOUBLE YELLOW STRIPE (STD. PLAN A20A, DETAIL 21)
- (H) SOLID WHITE BIKE LANE STENCIL W/ ARROW
- (I) 8" DASH WHITE STRIPE (STD. PLAN A20C, DETAIL 37)
- (N) 666 INDICATES NEW SIGN(S) AND POST TO BE FURNISHED AND INSTALLED BY CONTRACTOR PER STD. DWG. NO. 666.



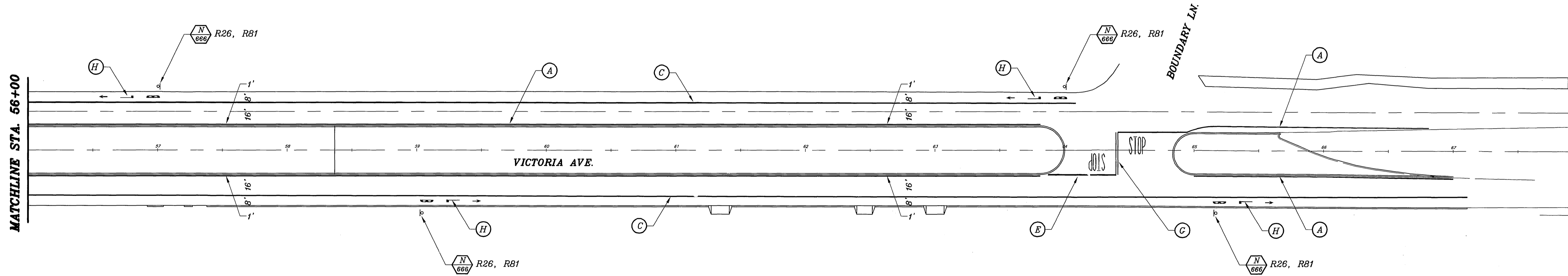
CITY OF RIVERSIDE, CALIFORNIA DEPARTMENT OF PUBLIC WORKS			STRIPING PLAN VICTORIA AVE. LA SIERRA AVE. TO BOUNDARY LANE		ACCT. NO. 9542330-44030200
APPROVED BY PRINCIPAL ENGINEER TRAFFIC DIVISION	BY <i>[Signature]</i> DATE 3/15/66	APPROVED BY <i>[Signature]</i> CITY ENGINEER DATE 3/15/66	XL-508 SHEET 1 OF 3 FILE NAME: VL508-1.DWG		
DESIGNED BY: MAC DRAWN BY: MAC CHECKED BY:			SCALE: 1" = 40'		

MATCHLINE STA. 48+00 SHEET 1

MATCHLINE STA. 56+00

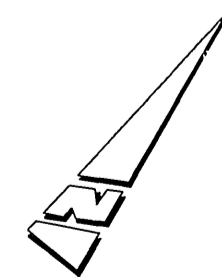


MATCHLINE STA. 56+00



STRIPING & MARKING LEGEND

- (A) 4" SOLID YELLOW STRIPE/MARKER (STD. PLAN A20B, DETAIL 25)
- (B) 6" DASH WHITE STRIPE (STD. PLAN A20D, DETAIL 39A)
- (C) 6" SOLID WHITE STRIPE (STD. PLAN A20D, DETAIL 39)
- (D) 8" SOLID WHITE STRIPE (STD. PLAN A20D, DETAIL 38A)
- (E) 12" SOLID WHITE STRIPE (STD. PLAN A24E) THERMOPLASTIC
- (F) SOLID WHITE ARROW (STD. PLAN A24A, TYPE IV) THERMOPLASTIC
- (G) DOUBLE YELLOW STRIPE (STD. PLAN A20A, DETAIL 21)
- (H) SOLID WHITE BIKE LANE STENCIL W/ ARROW
- (N 666) INDICATES NEW SIGN(S) AND POST TO BE FURNISHED AND INSTALLED BY CONTRACTOR PER STD. DWG. NO. 666.



CITY OF RIVERSIDE, CALIFORNIA DEPARTMENT OF PUBLIC WORKS			STRIPING PLAN VICTORIA AVE. LA SIERRA AVE. TO BOUNDARY LANE		ACCT. NO. 9542330214-44030200 XL-508 SHEET 2 OF 3 FILE NAME: 1508-2.DWG
APPROVED BY PRINCIPAL ENGINEER TRAFFIC DIVISION	BY <i>[Signature]</i>	DATE 3/15/06	APPROVED BY CITY ENGINEER <i>[Signature]</i>	DATE 2/15/06	
DESIGNED BY MAC	DRAWN BY MAC	CHECKED BY	SCALE: 1" = 40'		