

- STRIPING & MARKING LEGEND**
- (A) 4" SOLID WHITE STRIPE
 - (B) 4" DASH WHITE STRIPE (12' STRIPE, 36' GAP)
 - (C) 6" SOLID WHITE STRIPE
 - (D) 6" DASH WHITE STRIPE (4' STRIPE, 8' GAP)
 - (E) 8" SOLID WHITE STRIPE
 - (F) SOLID WHITE ARROW
 - (G) SOLID WHITE BIKE LANE STENCIL W/ ARROW
 - (H) 12" SOLID WHITE STRIPE



ENGINEER IN RESPONSIBLE CHARGE
 FRAN DUNAJSKI
 DATE 9/28/01

MARK	REVISIONS	APPR.	DATE

CITY OF RIVERSIDE, CALIFORNIA
 DEPARTMENT OF PUBLIC WORKS

APPROVED BY	BY	DATE	APPROVED BY
DEPUTY PW DIR./ENC.			
PRINCIPAL ENGINEER			
P.W. INSPECTION			
TRAFFIC DIVISION			
PUBLIC UTILITIES			

STRIPING PLAN
 LA SIERRA AVE.
 MINNIER/SCHUYLER AVE.
 TO GRAMERCY AVE.
 SCALE: 1" = 40'

ACCT. NO. 9539227152-44030200
 XL-769
 SHEET 1 OF 2
 FILE NAME: XL-769-1.DWG

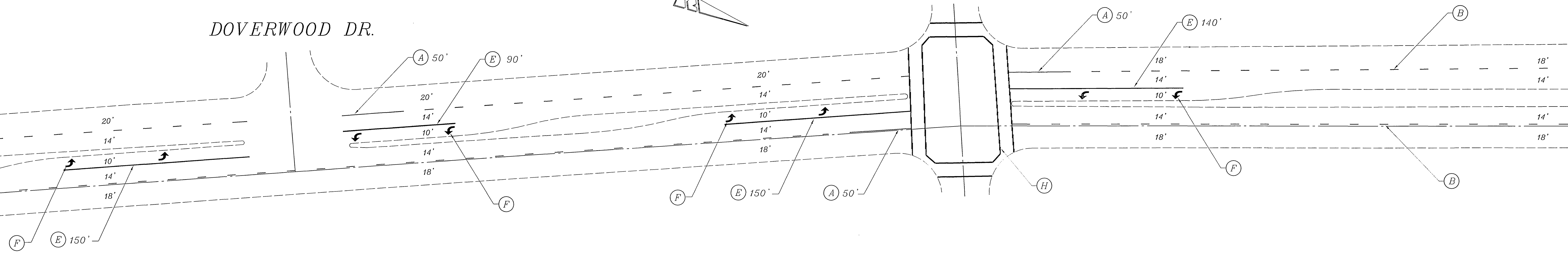
SHEET 1

MATCHLINE

DOVERWOOD DR.

NORWOOD AVE.

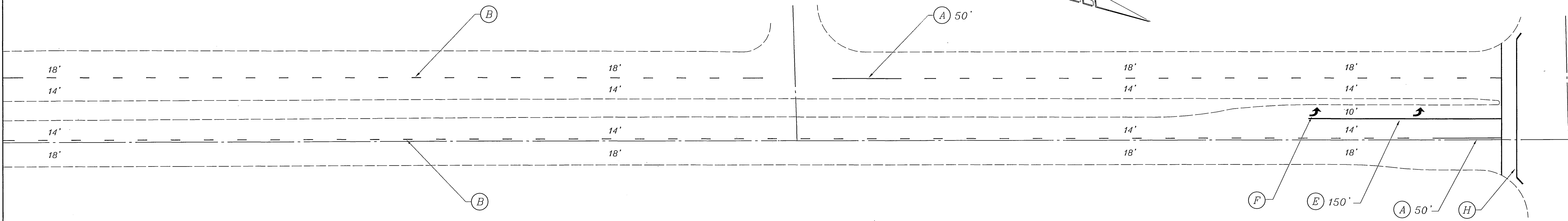
MATCHLINE BELOW



MATCHLINE ABOVE

BRISTOL ST.

GRAMERCY AVE.



STRIPING & MARKING LEGEND

- (A) 4" SOLID WHITE STRIPE
- (B) 4" DASH WHITE STRIPE (12' STRIPE, 36' GAP)
- (C) 6" SOLID WHITE STRIPE
- (D) 6" DASH WHITE STRIPE (4' STRIPE, 8' GAP)
- (E) 8" SOLID WHITE STRIPE
- (F) SOLID WHITE ARROW
- (G) SOLID WHITE BIKE LANE STENCIL W/ ARROW
- (H) 12" SOLID WHITE STRIPE



ENGINEER IN RESPONSIBLE CHARGE
 FRAN DUNAJSKI
 DATE 7/28/01

MARK	REVISIONS	APPR.	DATE
DESIGNED BY	MAC	DRAWN BY	MAC
CHECKED BY			

CITY OF RIVERSIDE, CALIFORNIA DEPARTMENT OF PUBLIC WORKS		
APPROVED BY	BY	DATE
MANAGER		
PRINCIPAL ENGINEER	RL	10/14/01
P.W. INSPECTION	RL	10/14/01
TRAFFIC DIVISION		
PUBLIC UTILITIES		

STRIPING PLAN
 LA SIERRA AVE.
 MINNIER/SCHUYLER AVE.
 TO GRAMERCY AVE.
 SCALE: 1" = 40'

ACCT. NO. 9539227152-44030200
 XL-759
 SHEET 2 OF 2
 FILE NAME: XL1562.DWG