

PME (9'6" LEFT & RIGHT) REQUIREMENTS (PRECAST)

REVISION: Relocated from UGS-460.3 & 460.4; Structure Redesign with Optional Center Section Added for Grade Elevation.

CHECKED BY (ENGINEERING): SJ DATE: 05/19/15

CHECKED BY (FIELD): GY

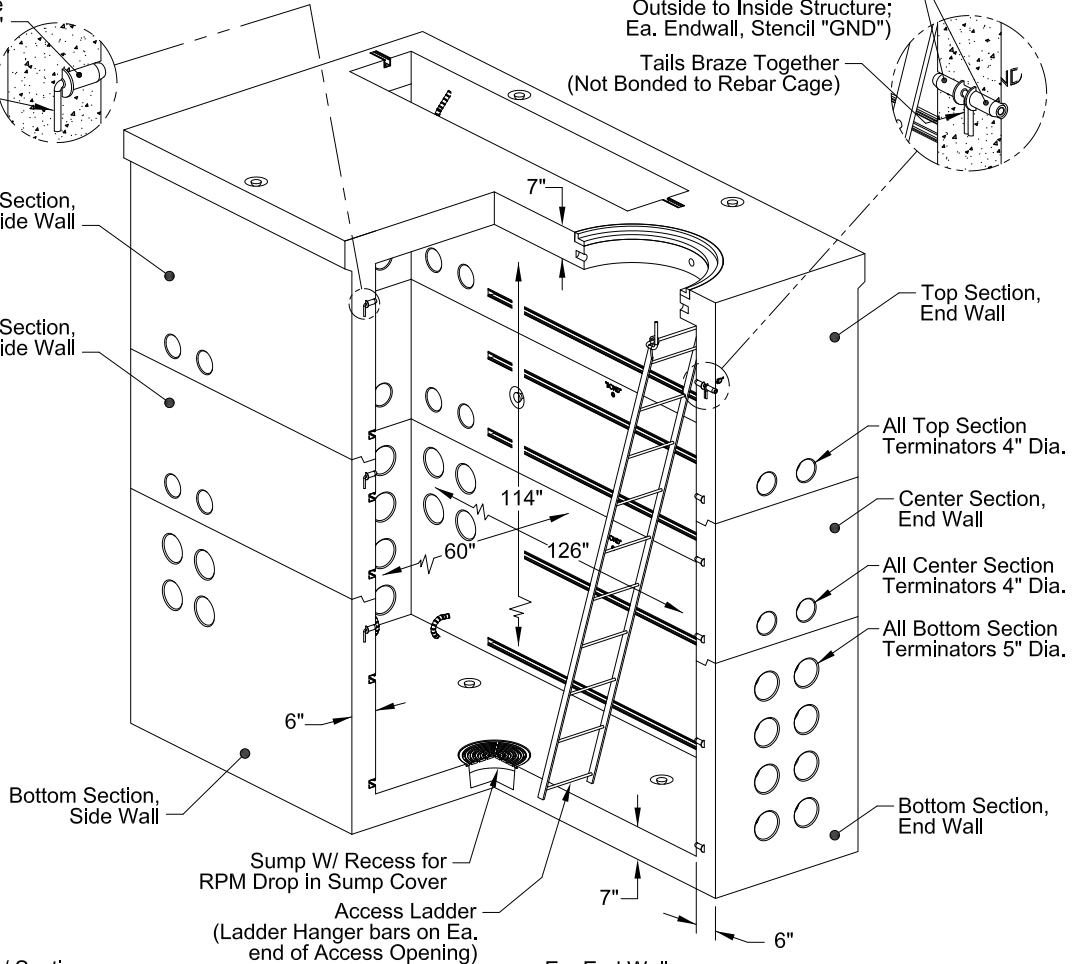
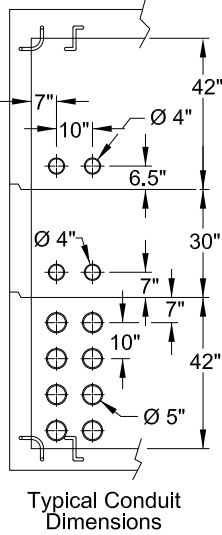
PREPARED BY: SJR
 APPROVED BY: *Chen Mejia*

Cast-In "Bonding" Insert for Bonding to Structure Steel Cage
 Ea. Endwall, Stencil "BOND"

Tail Connect to Rebar Cage

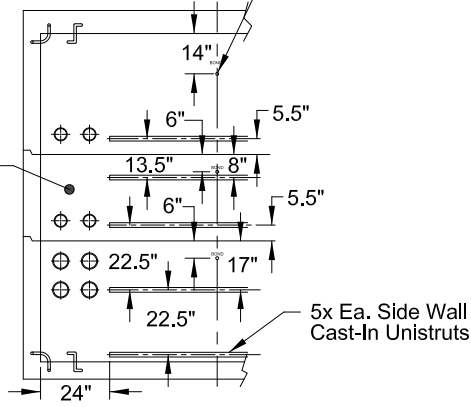
Cast-In "GROUNDING" Insert (Grounding Contact Point form Outside to Inside Structure; Ea. Endwall, Stencil "GND")

Tails Braze Together (Not Bonded to Rebar Cage)



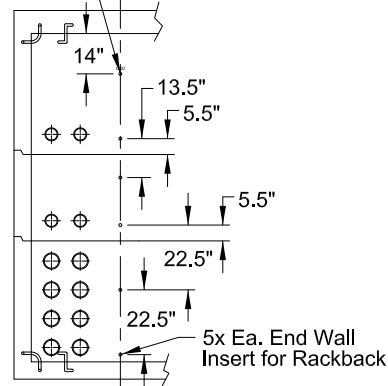
3x Ea. Side Wall / Section Structure Bonding Insert

See Page 2 for Details



Schedule 1 Side Wall Terminator

Ea. End Wall Ground Insert



Schedule 2 End Wall Terminator

Item No.	Nominal Size "Inside" (Depth x Width x Height)	Terminator Schedule	
		Side Wall	End Wall
7	5' x 10' 6" x 9'6" PME "Right"	1	2
9	5' x 10' 6" x 9'6" PME "Left"	1	2

Notes:

- See UGS-005 for RPU Approved manufacturers of precast PME structures and catalog numbers.
- Top Endwall terminator approximate depth is 36.50" (with structure 4" above ground level).

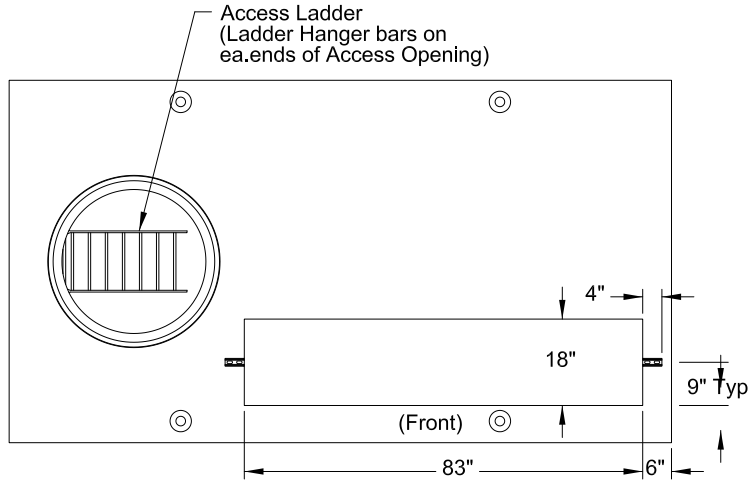
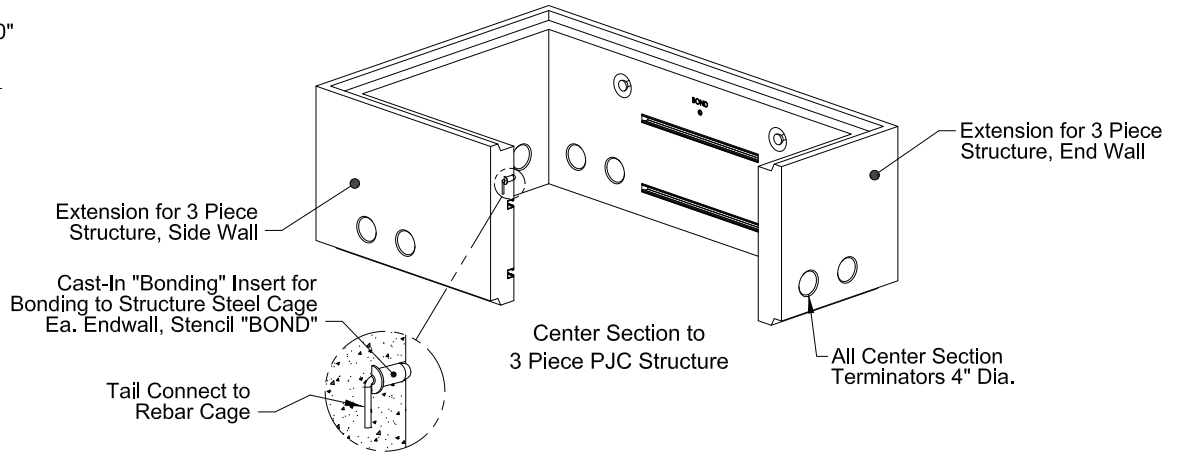
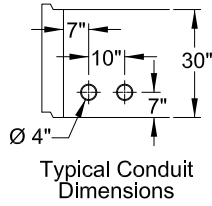
PME (9'6" LEFT & RIGHT) REQUIREMENTS (PRECAST)

REVISION: Relocated from UGS-460.3 & 460.4; Structure Redesigned with Optional Center Section Added for Grade Elevation.

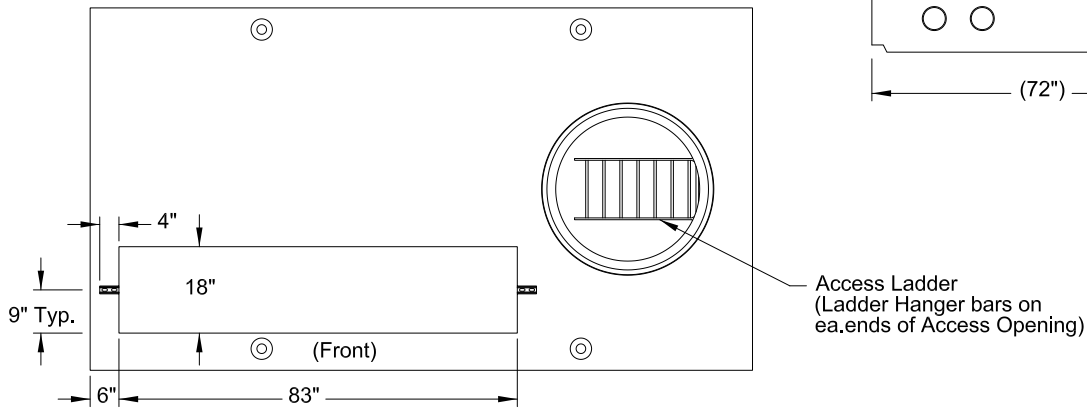
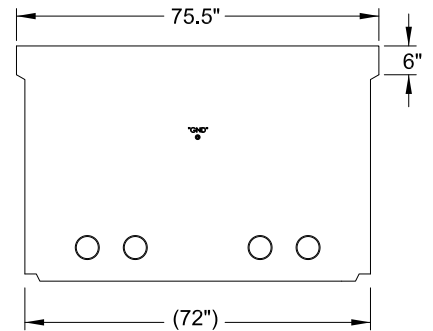
CHECKED BY (ENGINEERING): SJ
 DATE: 05/19/15

CHECKED BY (FIELD): GY

PREPARED BY: SJR
 APPROVED BY: *Shen Mejia*



PME "Left"
 Front of Structure (Cable Access / Cabinet Door Side),
 Manhole Access "Left" of Cable Access.



PME "Right"
 Front of Structure (Cable Access / Cabinet Door Side),
 Manhole Access "Right" of Cable Access.