

PULL EYE

4-1-68

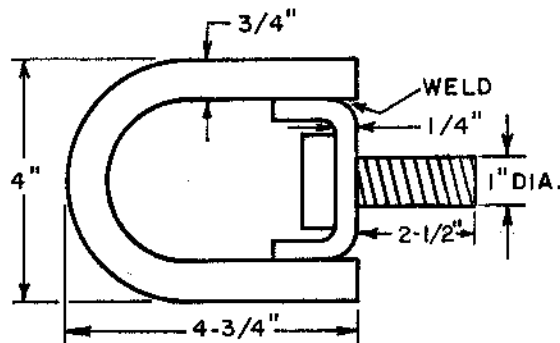
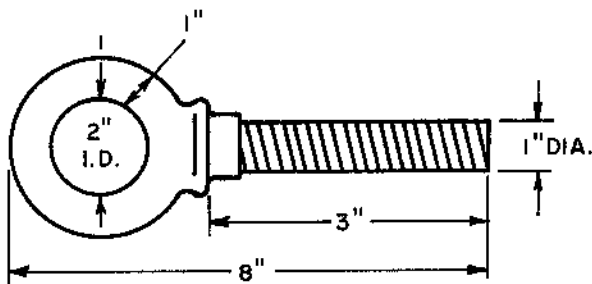
(FOR USE IN LIFTING TRANSFORMER PADS AND AS
AN ANCHOR FOR PULLING CABLE)

RESTRICTED TO MAXIMUM LOAD OF 6000 POUNDS

RIVERSIDE PUBLIC UTILITIES DEPT.-UNDERGROUND STRUCTURES


BURKE CONCRETE ACCESSORIES INC.

BROOKS PRODUCTS INC.



THE ABOVE ITEMS MAY BE OBTAINED FROM:

1. BURKE CONCRETE ACCESSORIES INC.
6235 E. TELEGRAPH ROAD
LOS ANGELES (22), CALIFORNIA
PHONE: 213-723-7286
2. BROOKS PRODUCTS INC.
10141 OLNEY STREET
EL MONTE, CALIFORNIA
PHONE: 213-283-0637
213-443-3019


GEN. SUPT. CHIEF ENGINEER

UGS-203