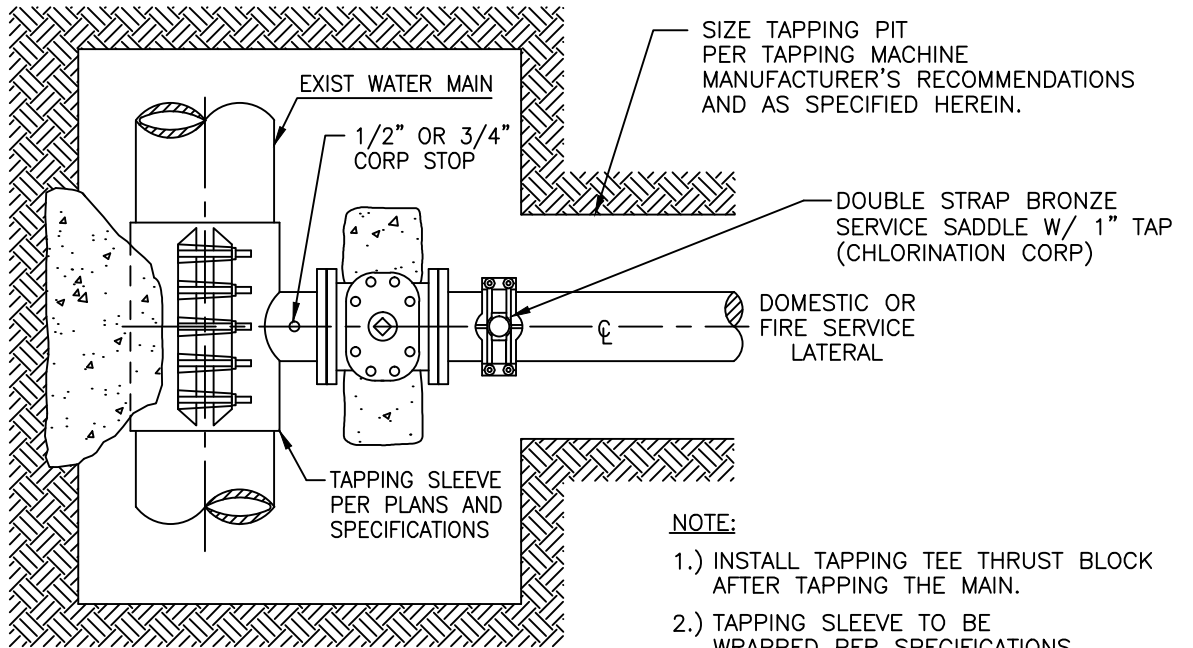


**SECTIONAL VIEW**



**PLAN VIEW**

**NOTE:**

- 1.) INSTALL TAPPING TEE THRUST BLOCK AFTER TAPPING THE MAIN.
- 2.) TAPPING SLEEVE TO BE WRAPPED PER SPECIFICATIONS.



WATER DISTRIBUTION & TRANSMISSION  
PIPELINE CONSTRUCTION METHODS

**TAPPING SLEEVE AND  
TAPPING VALVE DETAIL FOR  
DOMESTIC AND FIRE SERVICES**