

# RIVERSIDE RENAISSANCE

● Project Name:

## PROJECT NAME / WATER MAIN

● Streets Impacted:

● Project Duration:

● Contractor:

● Phone No.:

WARD PROJECT

COUNCIL MEMBER

MAYOR

CITY COUNCIL MEMBERS

CITY MANAGER

[www.RiversideCa.gov](http://www.RiversideCa.gov)

**RIVERSIDE PUBLIC UTILITIES: (951) 826-5311**

[www.riversidepublicutilities.com](http://www.riversidepublicutilities.com)

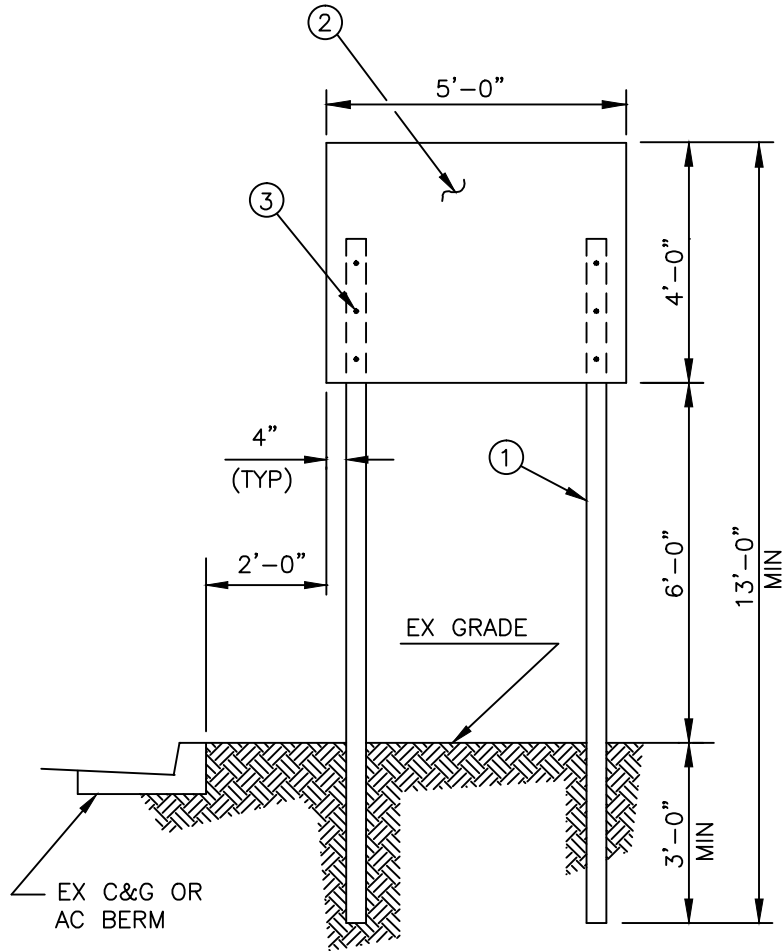
**NOTIFICATION SIGN NOTES:**

- 1). SIGN DIMENSIONS ARE TO BE 48"X60" WIDE.
- 2). SIGN SHALL BE BLUE LETTERS ON WHITE BACKGROUND WITH RPU LOGO CAN BE DOWNLOADED AT [WWW.RIVERSIDEPUBLICUTILITIES.COM](http://WWW.RIVERSIDEPUBLICUTILITIES.COM).
- 3). CITY SIGN TEMPLATE CAN BE DOWNLOADED AT [WWW.RIVERSIDECA.GOV](http://WWW.RIVERSIDECA.GOV)
- 4). SIGNS SHALL BE POSTED A MINIMUM OF ONE WEEK PRIOR TO CONSTRUCTION.
- 5). SIGN SHALL BE POSTED AT EACH END OF THE PROJECT AND LOCATIONS TO BE APPROVED BY THE ENGINEER PRIOR TO ERECTING THE SIGNS.
- 6). SEE CWD-960-2 FOR CONSTRUCTION OF SIGN.



WATER DISTRIBUTION & TRANSMISSION PIPELINE CONSTRUCTION METHODS

NOTIFICATION SIGN



CONSTRUCTION NOTES:

- ① 2 - DOUGLAS FIR CONSTRUCTION GRADE 4" X 4" POST.
- ② 3/4" THICK PLYWOOD.
- ③ FASTEN PLYWOOD SIGN TO POST W/ 6 - 5"± CARRIAGE BOLTS W/NUTS, FLAT WASHERS, AND JAM NUTS.

NOTES:

- 1) EXACT LOCATION OF SIGN TO BE DETERMINED BY ENGINEER WITH APPROVAL BY CITY PUBLIC UTILITIES DEPARTMENT.



WATER DISTRIBUTION & TRANSMISSION  
PIPELINE CONSTRUCTION METHODS

NOTIFICATION SIGN