

# STANDPIPE VENT INSTALLATION

REVISION: Added Reformatted Details from UGS-233.

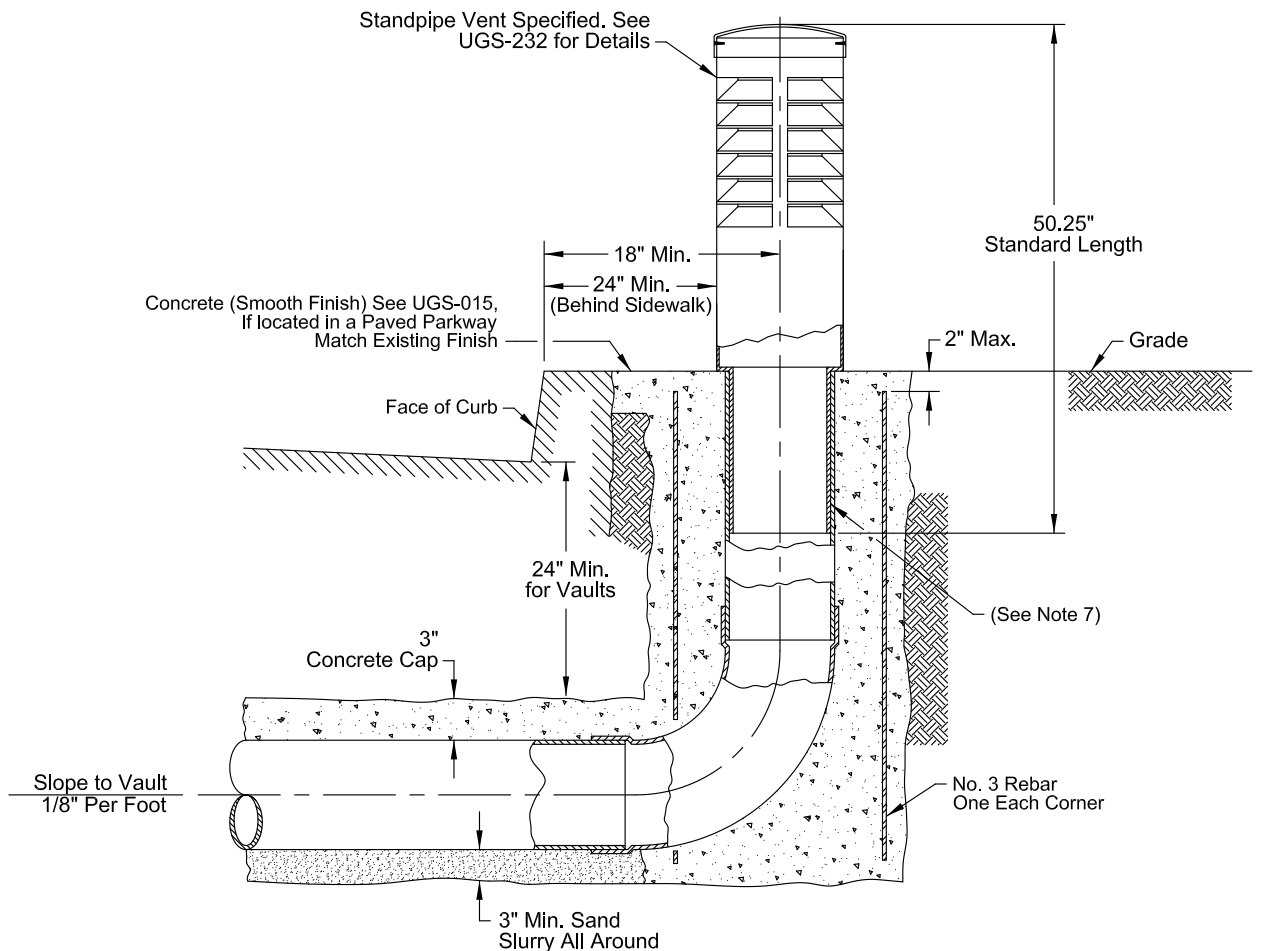
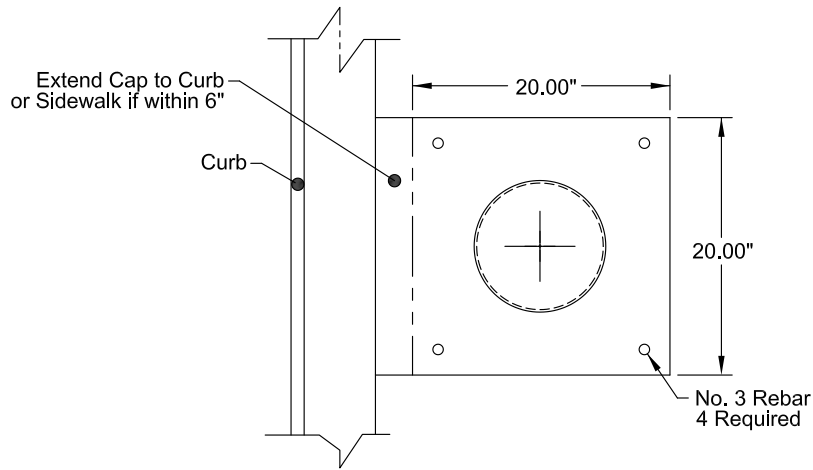
CHECKED BY (ENGINEERING): JRS

DATE: 11/01/18

CHECKED BY (FIELD): JH

APPROVED BY: *Stephen E. Saford*

PREPARED BY: SJR



Notes:

1. Vents shall be placed as shown on working drawings; See UGS-230.
2. Standpipe Vents shall be RPU Approved unless otherwise specified on the working drawings.
3. Air ducts shall be SDR-35 vent pipe.
4. Vents duct shall be 10" I.D. PVC plastic and 0.200" minimum wall unless otherwise specified on the working drawings.
5. Where curbs and grades are not established, bottom holes of vents must be 10" minimum above surface of the ground.
6. Vents must be placed a minimum of five feet apart unless otherwise shown on working drawings.
7. All joints are to be sealed against water infiltration in conformance with conduit manufacturers' recommendations and are to be made in presence of RPU Inspector.