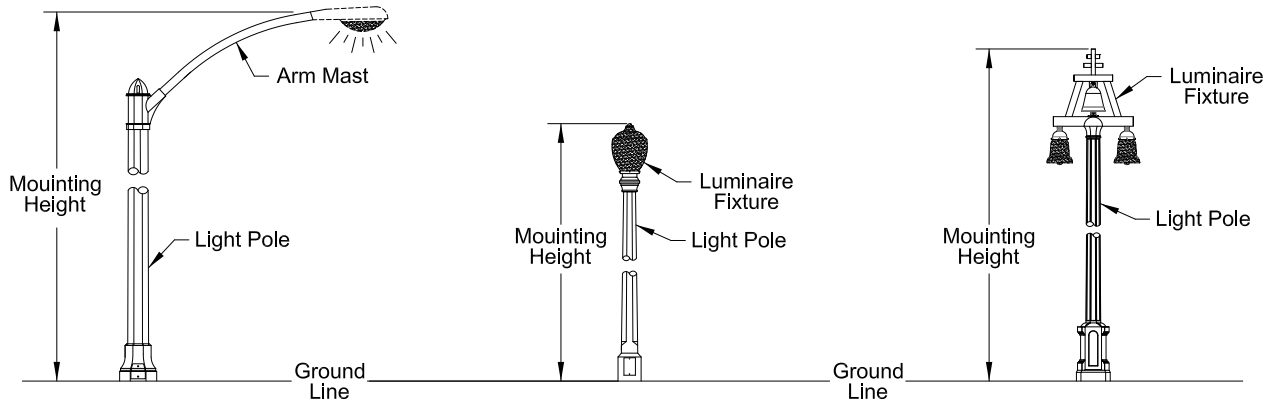


STREET LIGHT REQUIREMENTS UGS

GENERAL: Acceptable Street Light Components are listed by item number in the following schedules. Other equal components may be used if prior department approval is obtained. Any of the components covered by a particular item number in the schedules are acceptable, unless otherwise noted on the plans. Street Lights shall consist of components as indicated by item number on the plans. For details see UGS drawing listed in the schedules.



REVISION: Updated Tables to Include Pole & Arm Part Numbers, Mounting Height; Added S14, Pole Details

CHECKED BY (ENGINEERING): SJ

DATE: 10/21/14

CHECKED BY (FIELD): DM

PREPARED / REVISED BY: SJR

APPROVED BY: *Shen Mejia*

ITEM SCHEDULE

Item No.	Description	Concrete Standard Manufacturer	Mounting Height, Pole & Arm / Fixture	Required Materials		Compatible Materials	
				Street light Pole (CO-801-A)	Luminaire Fixture / Arm Mast (CO-801-B)	Luminaire / Lamp (CO-801-B)	Photo Control (CO-801-C)
S1	Concrete, Marbelite Pole with Single 4' Arm Mast	Union Metal Ameron	26'3"	LP-2	LF-1		
S2	Concrete, Marbelite Pole with Single 8' Arm Mast	Union Metal Ameron	27'8" 28'2"	LP-2	LF-2		
S3	Concrete, Marbelite Pole with Single 8' Arm Mast	Union Metal Ameron	30'2" 30'8"	LP-3	LF-2		
S4	Concrete, Marbelite Pole with Single 10' Mast Truss Arm	Union Metal Ameron	30'10"	LP-4	LF-3		
S5		Union Metal	33'6"	LP-5			
S6	Aluminum (Black Finish), Round Pole with	Hapco	14'	LP-6	H-8		
S7	Concrete, Round Pole with	Union Metal Ameron	15'4" 14'3"	LP-7			
S8	Concrete, Marbelite Pole with Single 8' Arm Mast	Union Metal Ameron	34'9" 35'1"	LP-4	LF-2		
S9	Concrete, Marbelite Pole with Double 10' Mast Truss Arm	Union Metal Ameron	33'6"	LP-4	LF-3		
S10	Steel, Round Tapered Pole with	Union Metal	40'	LP-8			
S11	Concrete, Corsican Pole with	Ameron	16'	LP-9		H-9, H-10	
S12	Concrete, Raincross Pole with	Ameron	22'4"	LP-10	See UGS-804 for Details		
S13	Concrete, Kodiak Pole with	Ameron	14'0"	LP-11	L-1		
S14	Concrete, Marbelite Pole with	Union Metal Ameron		LP-1			

Shaded areas are no longer installed, but for reference only.

Notes:

1. See UGS-801 (A-C) for manufacturer part # ordering information