

# STREET LIGHT MAST ARMS, LUMINAIRES & LAMPS

REVISION: Updated Tables & Notes; Added Luminaire, Streetlight Luminaire Arm, Lamp Details & Tables.

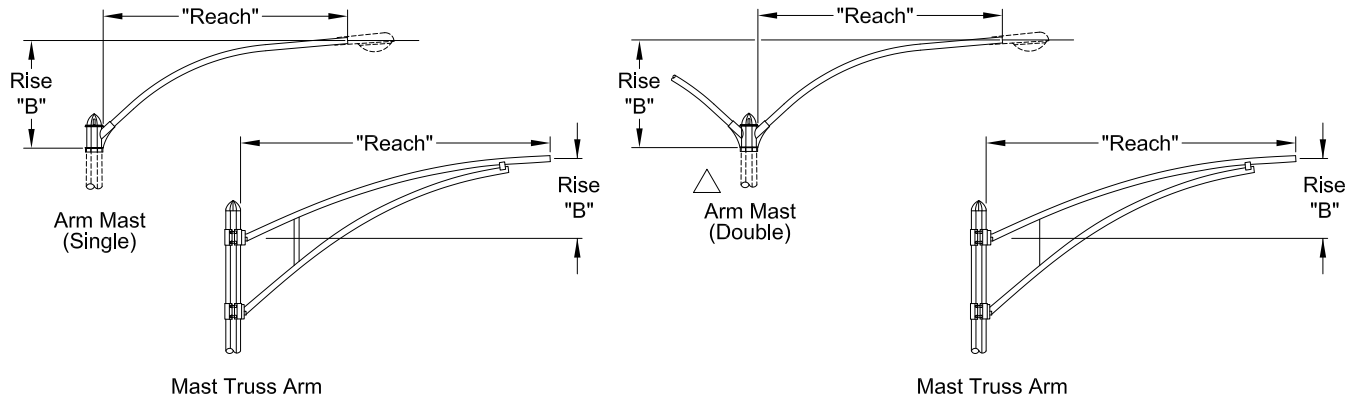
CHECKED BY (ENGINEERING): SJ

DATE: 10/16/14

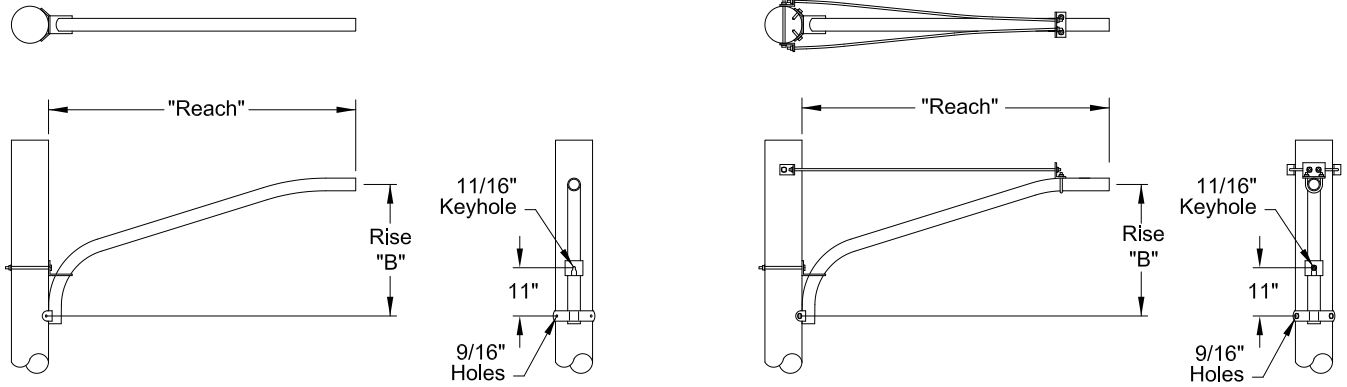
CHECKED BY (FIELD): DM

PREPARED / REVISED BY: SJR

APPROVED BY: *Shen Mejia*



CONCRETE POLE CONTEMPORARY LUMINAIRE ARMS							
Item No.	Description	Arm Style	Catalog No.				RPU Stock No. (For Internal Use Only)
			Union Metal		Ameron		
			Part No.	Rise	Part No.	Rise	
LF-1	4' Reach Arm Mast, Alum.	Single	D4		1AP4A (F4)	24"	24760
		Double			1AP4DA		
LF-2	8' Reach Arm Mast, Alum.	Single	D8		1AP8A (F8)	42"	24761
		Double			1AP8DA		24704
LF-3	10' Reach Mast Truss Arm	Single	J10		1SG10A (B10)	30"	24762
		Double	S10		1SG10A		25120



WOOD POLE LUMINAIRE ARMS								
Item No.	Description	Catalog No.						RPU Stock No. (For Internal Use Only)
		Salco			MacLean			
		Mfg. Part No.	Reach	Rise	Mfg. Part No.	Reach	Rise	
LF-7	6' Arm Mast, 2" Dia. Aluminum	WP-2-6-A	72"	24"	A-2-6G	66"	30"	24755
LF-8	8' Arm Mast, 2" Dia. Aluminum	WP-2-8-A	96"	36"	A-2-8G	90"	42"	24756
LF-9	10' Arm Mast, 2" Dia. W/ 2 Reinforcing Rods, Aluminum	WPDG-2-10-A	120"	35"	-	-	-	24751
LF-10	14' Arm Mast, 2" Dia. W/ 2 Reinforcing Rods, Aluminum	WPDG-2-14-A	168"	47"	-	-	-	24759